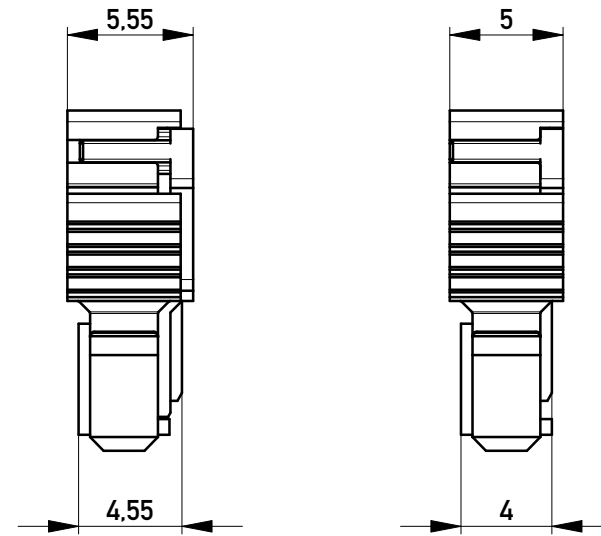
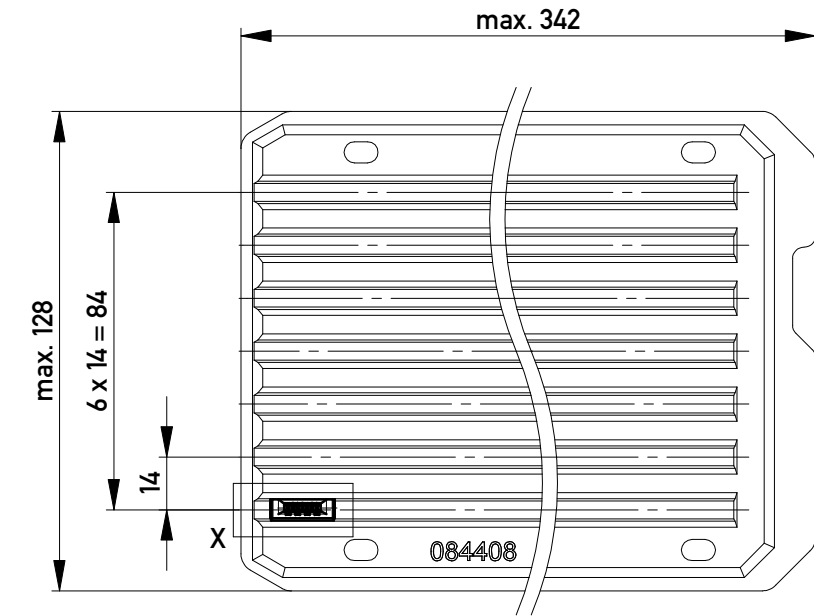


Abdeckung vorverrastet
cover loose mounted

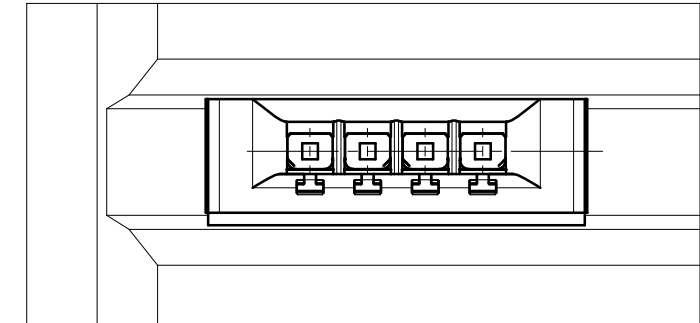
Abdeckung verpresst
cover pressed on



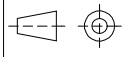
Verpackt in Tray - tray packaging
Verpackungseinheit 126 Stück - packaging unit 126



Einzelheit X
detail X



Copyright by ERNI GmbH
Proprietary notice pursuant to ISO 16016 to be observed.

Information: Codierung blau - coding blue		Tolerances		Scale	3:1
All rights reserved. Only for Information. To ensure that this is the latest version of this drawing, please contact one of the ERNI companies before using.		Subject to modification without prior notice. Drawing will not be updated.		Designation F 2.54 SRC-A, 4-polig BA 2	
d		13.08.2015		www.ERNI.com	
Index		Date		100703200040	
				K	
				A3	
				Class SRCBUG	