



N Female Connector Clamp/Non-Solder Contact
Attachment for 7/8 inch annular

TECHNICAL DATA SHEET

PE45036

Configuration

Connector	N Female
Connector Interface Type	7/8 inch annular
Attachment Method (Shield/Contact)	Clamp/Non-Solder Contact
Body Style	Straight

Electrical Specifications

Frequency Range	DC to 3 GHz
Impedance	50 Ohms
Maximum VSWR	1.1:1
Maximum Insertion Loss	0.05 dB
Maximum Operating Voltage	2,500 Volts
Maximum Passive Intermodulation (2 x 20 Watts)	-160 dBc

Mechanical Specifications

Temperature

Operating Range	-40 to +85 deg C
-----------------	------------------

Size

Length	2.51 in [63.75 mm]
Width/Dia.	1.4 in [35.56 mm]

Connector

Type	N Female
Contact Material and Plating	Copper, Silver
Outer Conductor Material and Plating	Brass, Tri-Metal
Body Material and Plating	Brass, Tri-Metal
Dielectric Type	TPX

Compliance Certifications (visit www.Pasternack.com for current document)

RoHS Compliant

Click the following link (or enter part number in "SEARCH" on website) to obtain additional part information including price, inventory and certifications: [N Female Connector Clamp/Non-Solder Contact Attachment for 7/8 inch annular PE45036](#)



N Female Connector Clamp/Non-Solder Contact Attachment for 7/8 inch annular

TECHNICAL DATA SHEET

PE45036

Plotted and Other Data

Notes:

- Values at +25 °C, sea level

N Female Connector Clamp/Non-Solder Contact Attachment for 7/8 inch annular from Pasternack Enterprises has same day shipment for domestic and International orders. Our RF, microwave and millimeter wave products maintain a 99% availability and are part of the broadest selection in the industry.

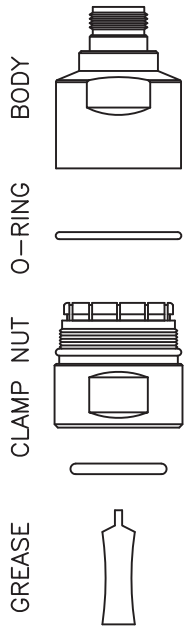
Click the following link (or enter part number in "SEARCH" on website) to obtain additional part information including price, inventory and certifications: [N Female Connector Clamp/Non-Solder Contact Attachment for 7/8 inch annular PE45036](#)

URL: <http://www.pasternack.com/n-female-standard-standard-7-8-inch-annular-connector-pe45036-p.aspx>

The information contained in this document is accurate to the best of our knowledge and representative of the part described herein. It may be necessary to make modifications to the part and/or the documentation of the part, in order to implement improvements. Pasternack reserves the right to make such changes as required. Unless otherwise stated, all specifications are nominal. Pasternack does not make any representation or warranty regarding the suitability of the part described herein for any particular purpose, and Pasternack does not assume any liability arising out of the use of any part or documentation.

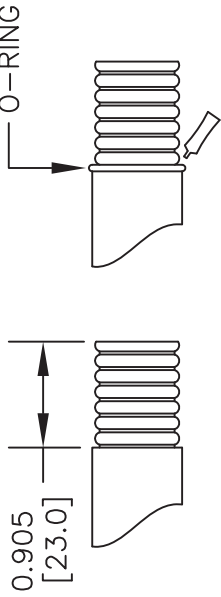
PE45036 CAD Drawing

N Female Connector Clamp/Non-Solder Contact Attachment for 7/8 inch annular

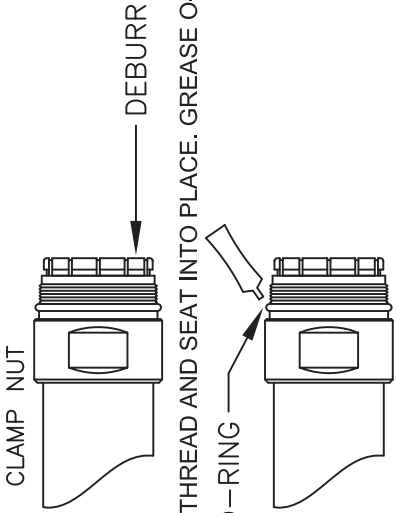


ASSEMBLY PROCEDURES

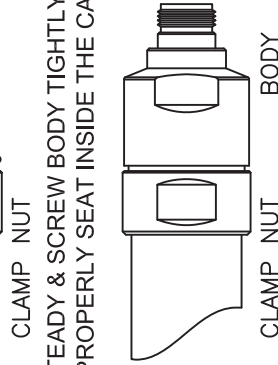
1. STRIP CABLE AS SHOWN. SLIDE LARGE O-RING ONTO CABLE AND SEAT AGAINST THE JACKET. GREASE O-RING.



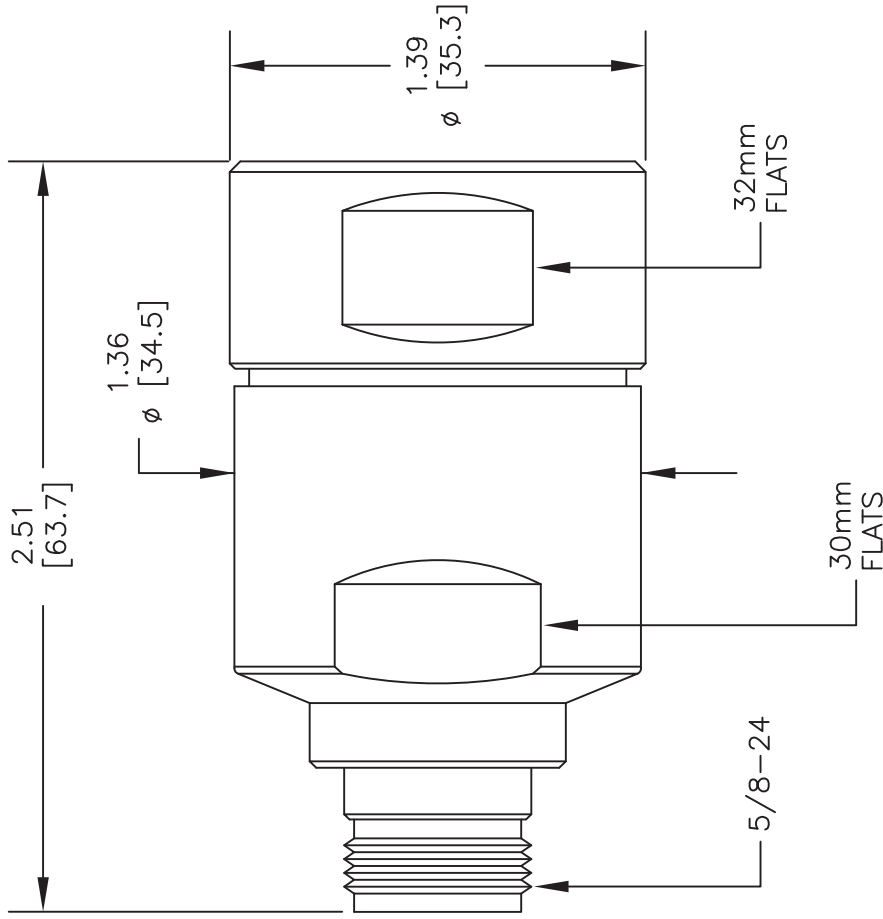
2. INSTALL CLAMP NUT ONTO CABLE. FLAIR OUT INNER & OUT CONDUCTOR. DEBURR INNER & OUTER CONDUCTOR.



3. SLIDE O-RING OVER THREAD AND SEAT INTO PLACE. GREASE O-RING.



4. HOLD CLAMP NUT STEADY & SCREW BODY TIGHTLY ONTO CABLE. CENTER CONDUCTOR WILL PROPERLY SEAT INSIDE THE CABLE CENTER CONDUCTOR.



DWG TITLE

PE45036

NOTES:
 1. UNLESS OTHERWISE SPECIFIED ALL DIMENSIONS ARE NOMINAL.
 2. ALL SPECIFICATIONS ARE SUBJECT TO CHANGE WITHOUT NOTICE AT ANY TIME.
 3. DIMENSIONS ARE IN INCHES [mm].
 4. FITS MIL-C-17 AND EQUIVALENT CABLES.

(PE) PASTERNAK®
 THE ENGINEER'S RF SOURCE
 Pasternack Enterprises, Inc.
 P.O. Box 16759 | Irvine | CA | 92623
 Phone: (949) 261-1920 | Fax: (949) 261-7451
 Website: www.pasternack.com | E-Mail: sales@pasternack.com

FSCM NO. 53919

CAD FILE 052814

SCALE N/A

SIZE A

2233