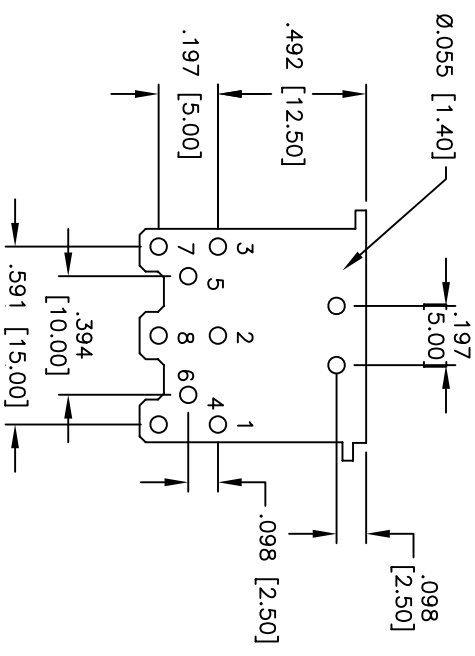
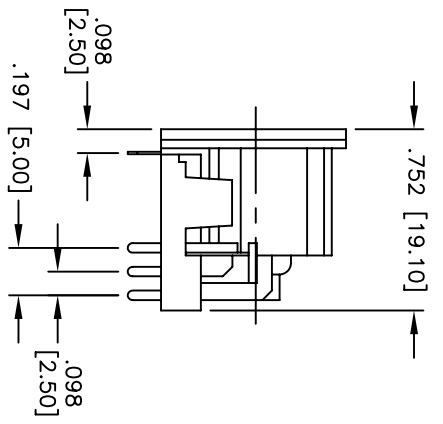
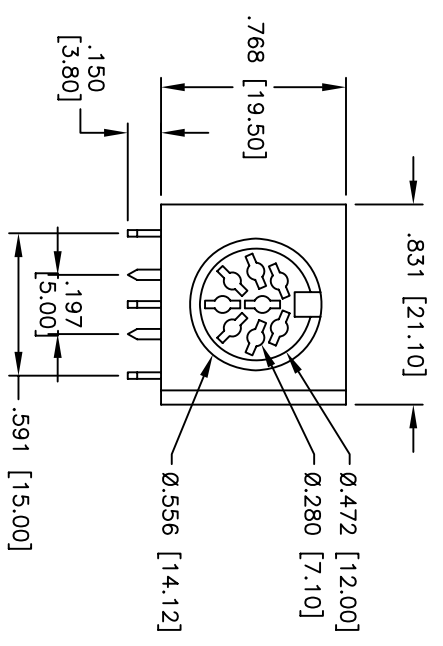


| | | | | |
|-----|-------|-------------|----------|------|
| Rev | AWO # | Description | Date | Appr |
| - | | RELEASED | 12/21/04 | |

APPROVED: _____
 DATE: _____ TITLE: _____



PCB LAYOUT

| MATING FACE CONFIGURATIONS | | | | |
|----------------------------|-----------|-----------|-----------|-----------|
| DJ-003-.5 | DJ-004-.5 | DJ-006-.5 | DJ-007-.5 | DJ-008-.5 |
| | | | | |

SPECIFICATIONS:

Material:
 Insulator: PBT, Glass filled, rated UL 94V-0
 Insulator color: Black
Contacts: Brass
 Plating:
 Tin over Copper underplate overall

Electrical:
 Operating voltage: 20 VDC max.
 Current rating: 2 Amps max.
 Contact resistance: 20 mohms max. initial
 Insulation resistance: 500 Mohms min.
 Dielectric withstanding voltage: 1,000 VAC for 1 minute
 Temperature Rating:
 Operating temperature: -25°C to +100°C

Environmental:
 Lead free, RoHS compliant.
 Recommended soldering temp: 235°C for 5 sec.



| | |
|--|--------------|
| UNLESS OTHERWISE SPECIFIED ALL DIMENSIONS ARE INCHES [MM] | |
| TOLERANCES: EXCEPT AS NOTED | |
| INCHES | HOLDS |
| .X ± .10 | ØX ± .10 |
| .XX ± .020 | ØXXX ± .015 |
| .XXX ± .015 | ØXXXX ± .010 |
| APPROVALS | DATE |
| DRAWN | SS |
| CHECKED | |
| APPROVED | |

ADAM TECH
 909 Railway Avenue, Union, NJ 07083
 Phone: 908-687-5000 Fax: 908-687-5710

TITLE: **DIN JACK**
 .197 [5.00] CENTERLINE FRONT PINS

SIZE: X
 PART NO.: DJ-00X-.5
 SCALE: NTS