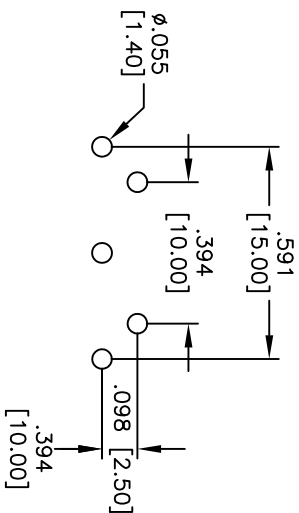
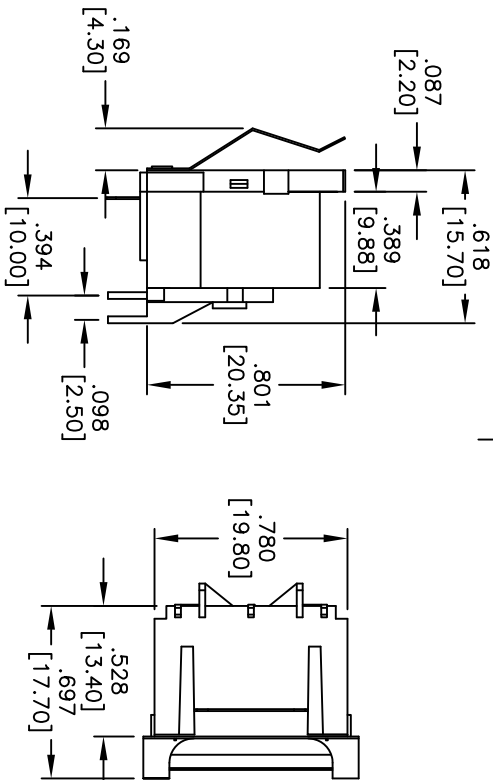
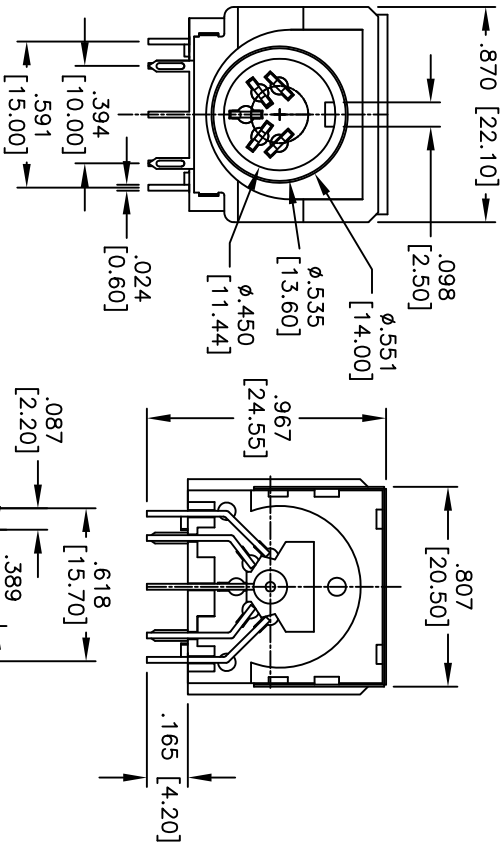


APPROVED: _____
 DATE: _____ TITLE: _____

Rev	AWO #	Description	Date	Appr
-		RELEASED	11/23/09	
A		REDRAWN	3/05/10	



RECOMMENDED PCB LAYOUT

SPECIFICATIONS:

- Material: Insulator: PBT, Glass filled, rated UL 94V-0
- Insulator color: Black
- Contacts: Brass
- Spring Tole: Nickel plated
- Plating: Tin over Copper underplate overall
- Electrical: Current rating: 1 Amps max.
- Contact resistance: 8 mohms max. initial
- Insulation resistance: 5000 Mohms min.@ 500V DC
- Dielectric withstanding voltage: 1,000 VAC for 1 minute
- Temperature Rating: Operating temperature: -55°C to +105°C
- Environmental: Lead free, RoHS compliant.
- Recommended soldering temp: 235°C for 5 sec.

UNLESS OTHERWISE SPECIFIED ALL DIMENSIONS ARE INCHES [MM]	
.X	± .10
.XX	± .020
.XXX	± .015
.XXX	± .015
ØXX	± .10
ØXXX	± .015
ØXXX	± .010
APPROVALS	DATE
DRAWN	DY
CHECKED	
APPROVED	

ADAM TECH
 909 Rahway Avenue, Union, NJ 07083
 Phone: 908-687-5000 Fax: 908-687-5710

TITLE: **DIN JACK, 5 POSITIONS, METAL SHIELDED**

SIZE	PART NO.	REV.
X	DJ-005-S-PG	A
REF: S00140T	SCALE: NTS	SHEET 1 OF 1

