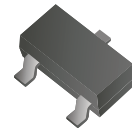


## CDBV3-0720-G

$I_o = 700 \text{ mA}$   
 $V_R = 20 \text{ Volts}$   
 RoHS Device



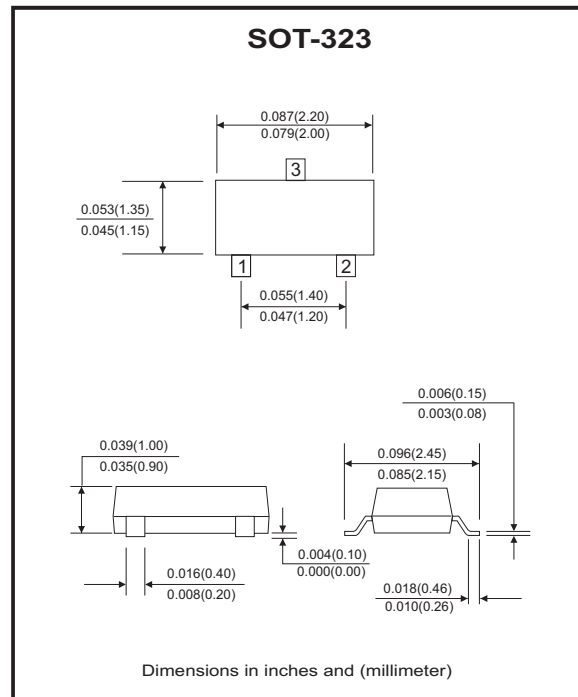
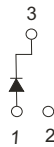
### Features

- Low-power rectification
- For switching power supply
- Ultra low VF

### Mechanical data

- Case:SOT-323, molded plastic.
- Terminals:Soldeable per MIL-STD-750, method 2026.
- Mounting position: Any.
- Approx.weight: 0.0055 gram.

### Circuit Diagram



### Maximum Rating (at Ta=25°C unless otherwise noted)

Parameter	Symbol	Limit	Unit
Non-Repetitive Peak Reverse Voltage	$V_{RM}$	25	V
DC Blocking Voltage	$V_R$	20	V
Average Rectified Output Current	$I_o$	700	mA
Power Dissipation	$P_D$	150	mW
Junction Temperature	$T_j$	125	°C
Storage Temperature	$T_{STG}$	-55~+150	°C

### Electrical Characteristics (at Ta=25°C unless otherwise noted)

Parameter	Symbol	Test Conditions	Min	Max	Unit
Reverse breakdown voltage	$V(BR)$	$I_R = 200\mu A$	20		V
Reverse voltage leakage current	$I_R$	$V_R = 20V$		200	$\mu A$
Forward voltage	$V_F$	$I_F = 700mA$		0.49	V

## RATING AND CHARACTERISTIC CURVES (CDBV3-0720-G)

Fig.1 - Forward characteristics

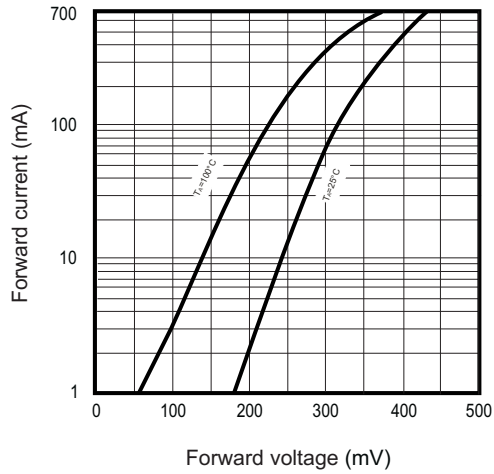


Fig.2 - Reverse characteristics

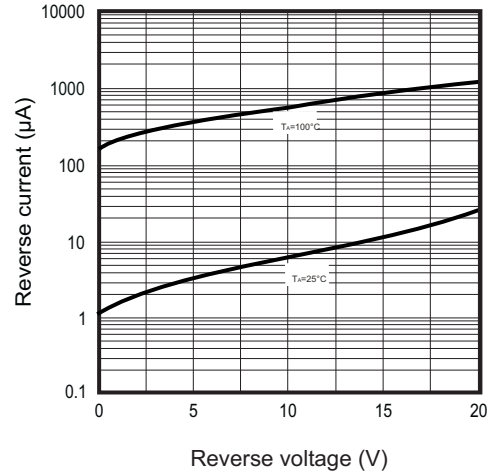


Fig.3 - Capacitance characteristics

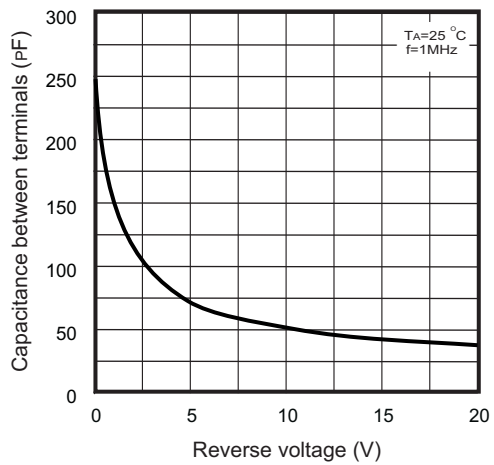
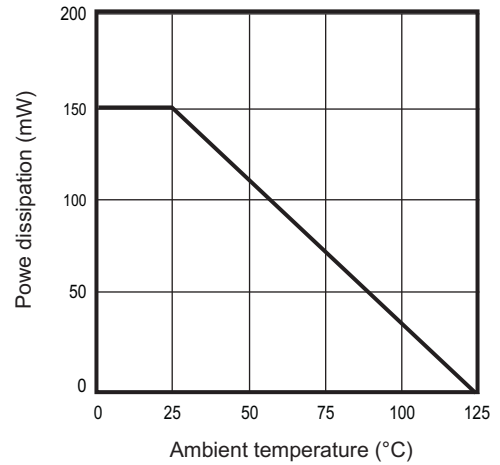
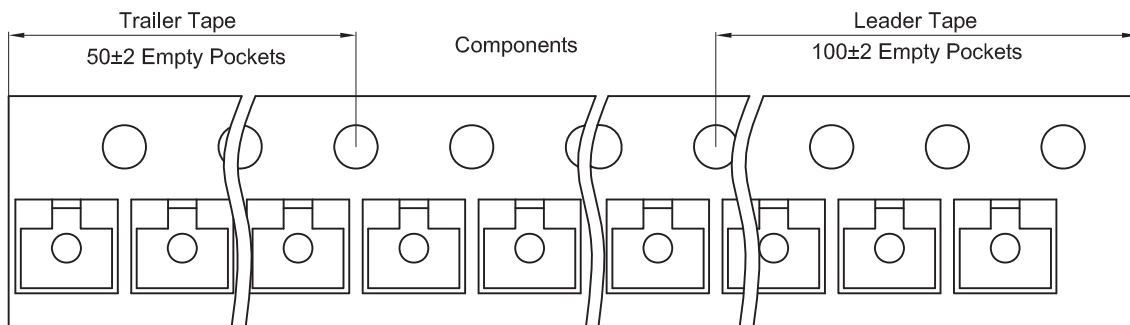
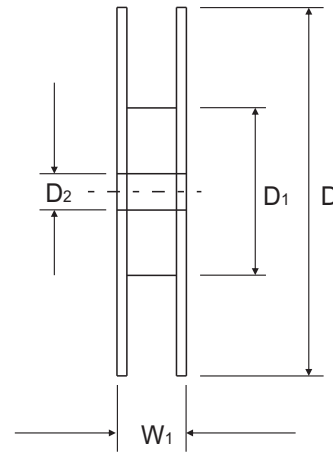
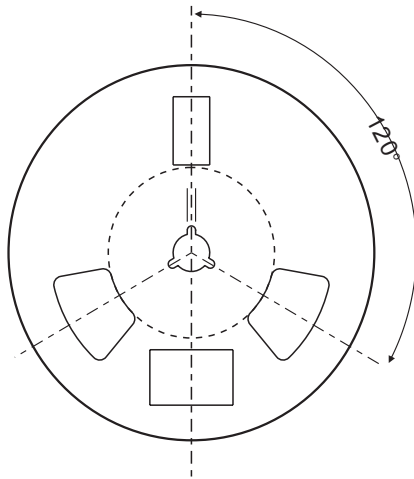
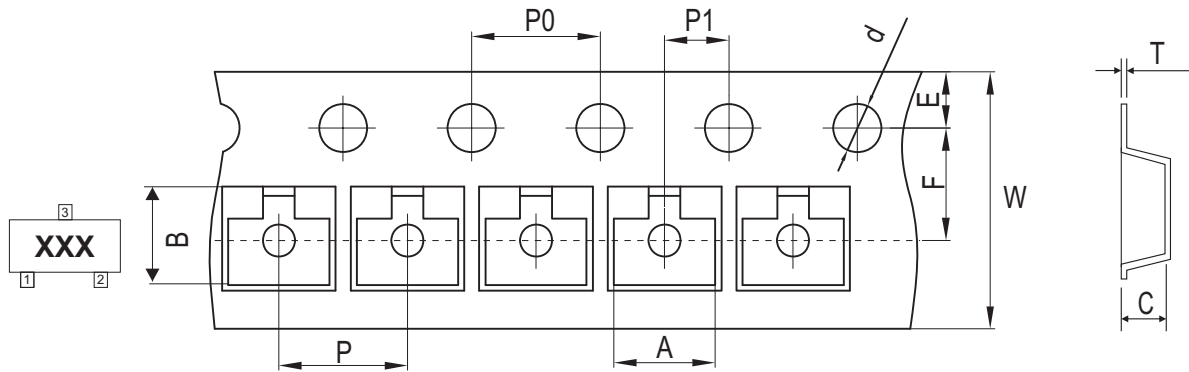


Fig.4 - Power derating curve



## Reel Taping Specification

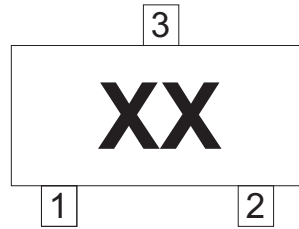


SOT-323	SYMBOL	A	B	C	d	D	D1	D2
	(mm)	2.25 ± 0.05	2.55 ± 0.05	1.19 ± 0.05	1.55 ± 0.10	178 ± 2.00	54.40 ± 1.00	13.00 ± 1.00
	(inch)	0.089 ± 0.002	0.100 ± 0.002	0.047 ± 0.002	0.061 ± 0.004	7.008 ± 0.079	2.142 ± 0.039	0.512 ± 0.039

SOT-323	SYMBOL	E	F	P	P0	P1	W	W1
	(mm)	1.75 ± 0.10	3.50 ± 0.10	4.00 ± 0.10	4.00 ± 0.10	2.00 ± 0.10	8.00 + 0.30 / - 0.10	12.30 ± 1.00
	(inch)	0.069 ± 0.004	0.138 ± 0.004	0.157 ± 0.004	0.157 ± 0.004	0.079 ± 0.004	0.315 + 0.012 / - 0.004	0.484 ± 0.039

## Marking Code

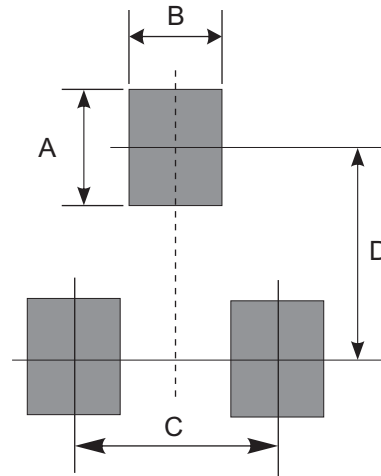
Part Number	Marking Code
CDBV3-0720-G	3B



xx = Product type marking code

## Suggested PAD Layout

SIZE	SOT-323	
	(mm)	(inch)
A	0.80	0.031
B	0.50	0.020
C	1.30	0.051
D	2.20	0.087



## Standard Packaging

Case Type	REEL PACK	
	REEL ( pcs )	Reel Size (inch)
SOT-323	3,000	7