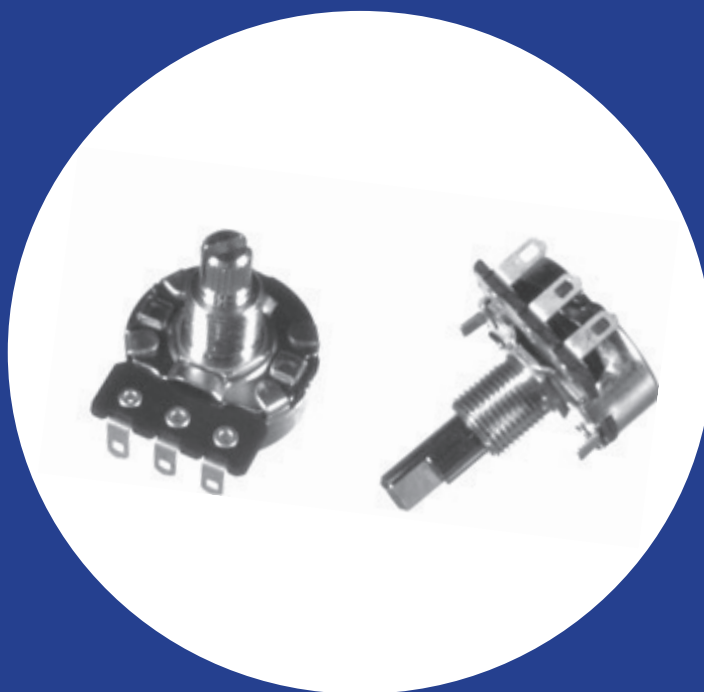


Long Life 24mm Diameter Carbon Composition Rotary Potentiometer

Features

- 1M Life Cycles Available
- 2% Precision Linearity Available
- Durable Brass Bushing and Shaft Available
- Wide Resistance Range
- Low Noise
- Solder Lug, Faston Terminal
- RoHS compliant



Electrical and Mechanical Specifications

Resistance Range

Linear taper: 10K ohms through 1 Megohms

Resistance Tolerance

±30%, ±20%, ±10%

Power Rating

0.125 watts @50°C

Dielectric Strength

750 VAC for 1 minute

Maximum Operating Voltage

500 VDC

Insulation Resistance

100 Megohm minimum @ 100 VDC

Rotational Angle

300°

Rotational Torque

14~144 gf-cm (.2~2.0 in-oz)

Stop Strength

9 kgf-cm minimum

Push-Pull Strength on Shaft

13.6 kg for 10 seconds

Rotational Life

250,000 cycles (240°~270° electric effective angle)

1,000,000 cycles (40° ~ 110° electric effective angle)

Operating Temperature

-10°C to +85°C

Solder Heat Resistance

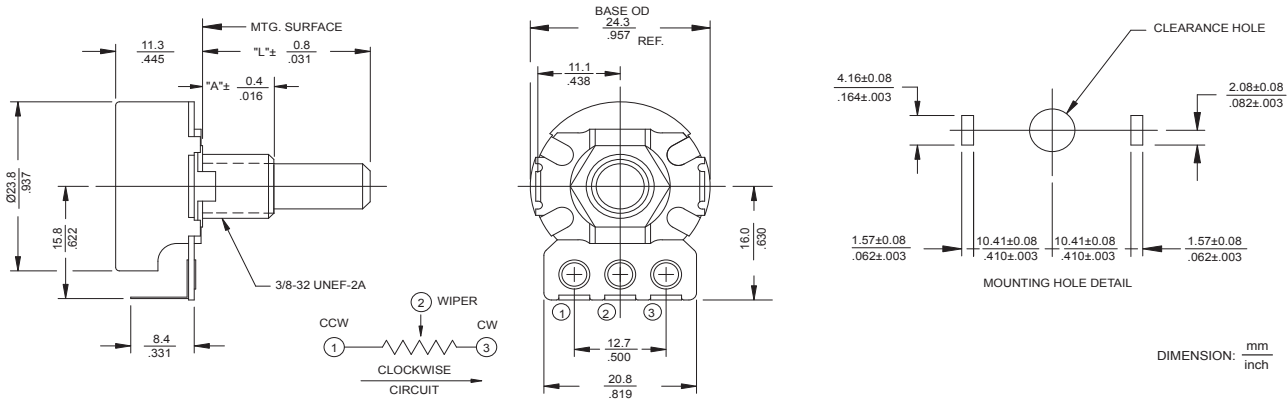
260°C for 5 seconds

Linearity

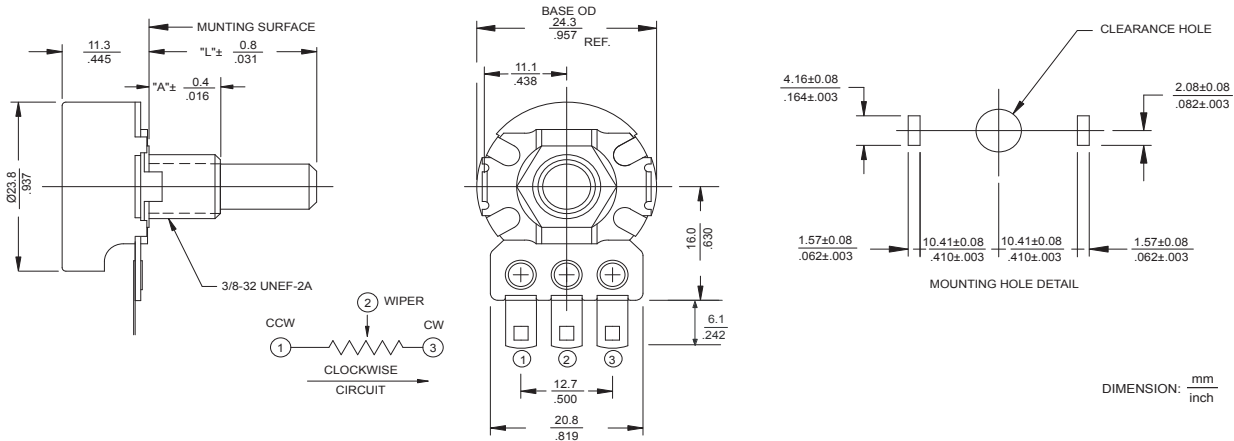
Standard: 5%

Special: 3%, 2%

295T Metal Shaft, Bushing Mounting, Type "T" Solder Lug (Faston) Terminals

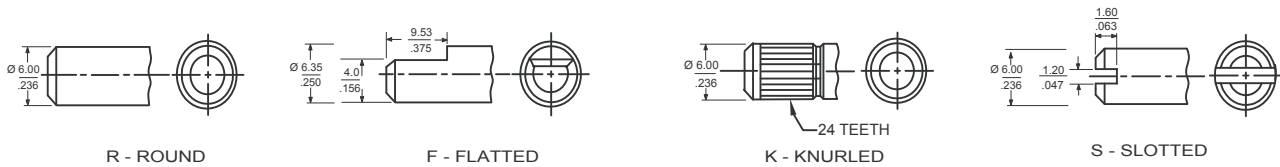


295S Metal Shaft, Bushing Mounting, Solder Lug (Faston) Terminals



Shaft Trim

DIMENSION: mm
inch



Ordering Information

295 T 2 20 R 103 B 1 1

<p>TERMINAL STYLE</p> <p>T- SOLDER LUG(FASTON), FORMED TO REAR S- SOLDER LUG(FASTON), FORMED TO PARALLEL</p>	<p>SHAFT LENGTH "L"</p> <p>FROM MOUNTING SURFACE 1/32"INCREMENTS</p> <p>EXAMPLES: 20- .625" (15.9 mm) 24- .750" (19.11 mm) 28- .875" (22.2 mm) 32- 1.000" (25.4 mm)</p>	<p>RESISTANCE CODE EXAMPLES</p> <table border="1"> <thead> <tr> <th>CODE</th> <th>RESISTANCE</th> </tr> </thead> <tbody> <tr> <td>103</td> <td>10 K</td> </tr> <tr> <td>253</td> <td>25 K</td> </tr> <tr> <td>503</td> <td>50 K</td> </tr> <tr> <td>104</td> <td>100 K</td> </tr> <tr> <td>504</td> <td>500 K</td> </tr> <tr> <td>105</td> <td>1Meg</td> </tr> </tbody> </table>	CODE	RESISTANCE	103	10 K	253	25 K	503	50 K	104	100 K	504	500 K	105	1Meg	<p>TAPER & ELECTRICAL EFFECTIVE ANGLE</p> <p>1- LINEAR (50°) 2- 10% AUD (240°) 3- 10% CCW AUD(240°) 4- LINEAR (40°) 5- LINEAR (60°) 6- LINEAR (110°) 7- LINEAR (270°)</p>
CODE	RESISTANCE																
103	10 K																
253	25 K																
503	50 K																
104	100 K																
504	500 K																
105	1Meg																
<p>MOUNTING STYLE "A"</p> <p>BRASS BUSHING LENGTH 1/8"INCREMENTS</p> <p>EXAMPLES: 2- .250" (6.35mm) 3- .375" (9.5mm) 8- 1.000" (25.4mm)</p> <p>TWISTED TAB MOUNT</p> <p>1- TWISTED TAB</p> <p>MOLDED BUSHING LENGTH</p> <p>A- .375"(9.53mm), No thread B- .375"(9.53mm), M9 X .75P</p>	<p>METAL SHAFT TRIM</p> <p>R- ROUND F- FLATTED K- KNURLED & SLOTTED S- SLOTTED</p>	<p>RESIST TOL</p> <p>A- ± 10% B- ± 20% C- ± 30%</p>	<p>SPECIALS</p> <p>1- TWO LUGS 2- LOCATING LUG RIGHT SIDE 3- NO LOCATING LUG 4- LOCATING LUG LEFT SIDE</p>														