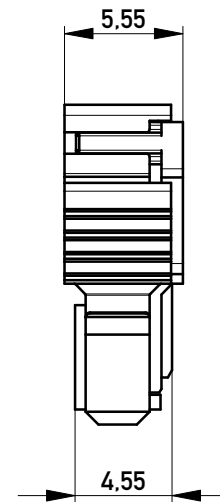
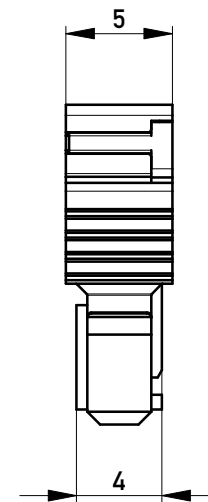


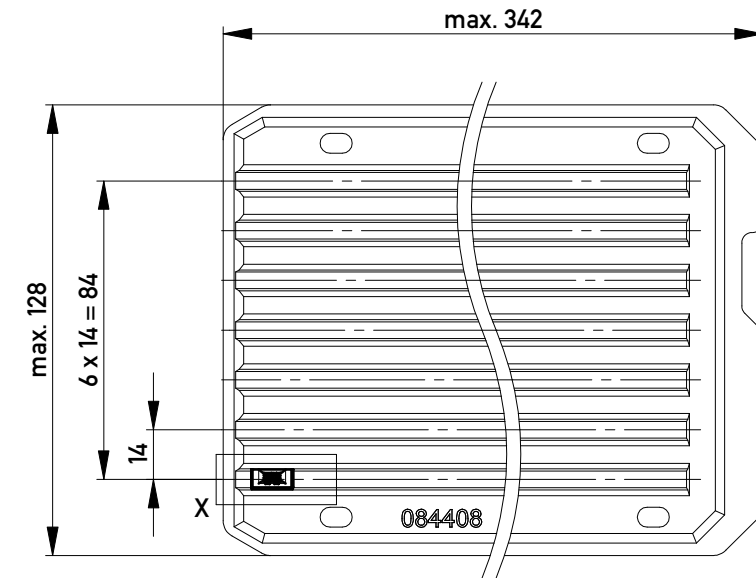
Abdeckung vorverrastet  
cover loose mounted



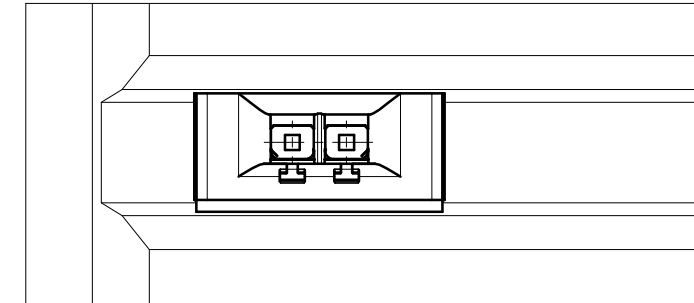
Abdeckung verpresst  
cover pressed on

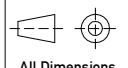



Verpackt in Tray - tray packaging  
Verpackungseinheit 182 Stück - packaging unit 182



Einzelheit X  
detail X



Information: Codierung, rot - coding, red	Tolerances  All Dimensions in mm	Scale	3:1
		Designation <b>F 2,54 SRC-A, 2-polig BA 2</b>	
All rights reserved. Only for Information. To ensure that this is the latest version of this drawing, please contact one of the ERNI companies before using.	Subject to modification without prior notice. Drawing will not be updated.	 www.ERNI.com	
		<b>100603200037</b>	
d	12.08.2015	K A3	
Index	Date		
		Class SRCBUG	

Copyright by ERNI GmbH  
Proprietary notice pursuant to ISO 16016, to be observed.