

Photo Interrupter

KPIL05

Description

The KPIL05 is a high performance transmissive type photo interrupter, combines high-output GaAs IRED with high sensitive phototransistor.

Features

- PWB direct mount type.
- Widely applicable.
- 5.0mm gap.
- RoHS compliant.



Applications

- Cameras.
- Copiers.
- Printers.
- Ticket vending machines.

Absolute Maximum Ratings (T_a=25°C, Unless otherwise specified)

Characteristic		Symbol	Ratings	Unit
Input	Power Dissipation	P _D	100	mW
	Forward Current	I _F	60	mA
	Reverse Voltage	V _R	5	V
	Peak Forward Current ^{*1}	I _{FP}	1	A
Output	Power Dissipation	P _D	100	mW
	Collector Current	I _C	40	mA
	Collector-Emitter Voltage	V _{CEO}	30	V
	Emitter-Collector Voltage	V _{ECO}	5	V
Operating Temperature ^{*2}		T _{opr}	-25 ~ +85	°C
Storage Temperature ^{*2}		T _{stg}	-40 ~ +85	°C
Soldering Temperature ^{*3}		T _{sol}	260	°C

*1 : Pulse width (tw) ≤ 100μs, Period (T) = 10msec.

*2 : No icebond or dew.

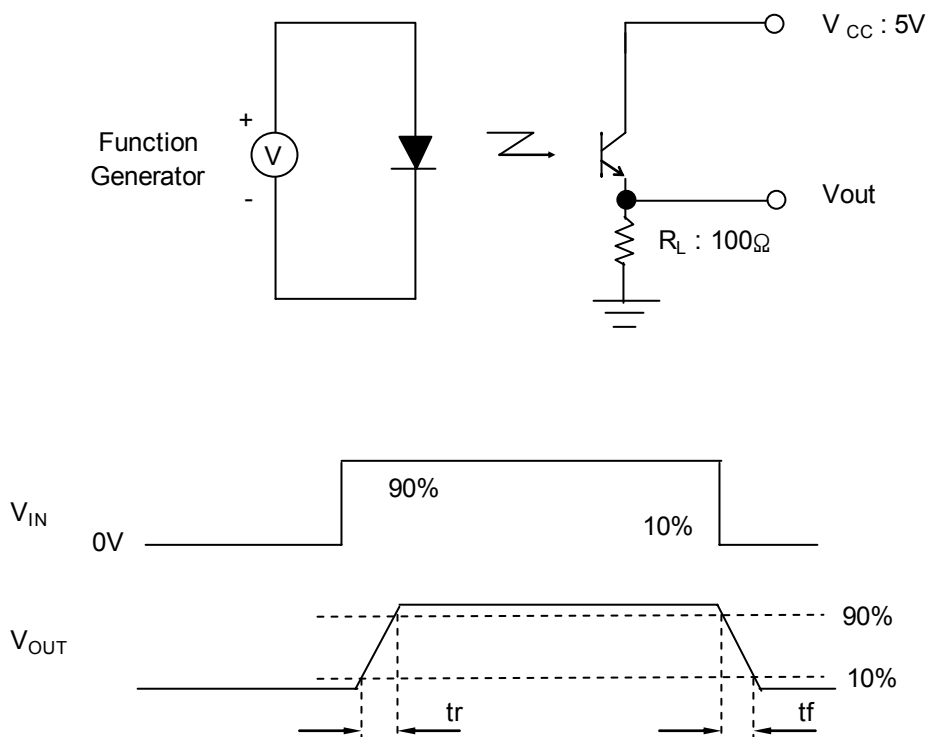
*3 : The soldering should be 1mm away from bottom of the case t=within 5sec

The contents of this data sheet are subject to change without advance notice for the purpose of improvement. When using this product, would you please refer to the latest specifications.

Electrical Characteristics (T_a=25°C)

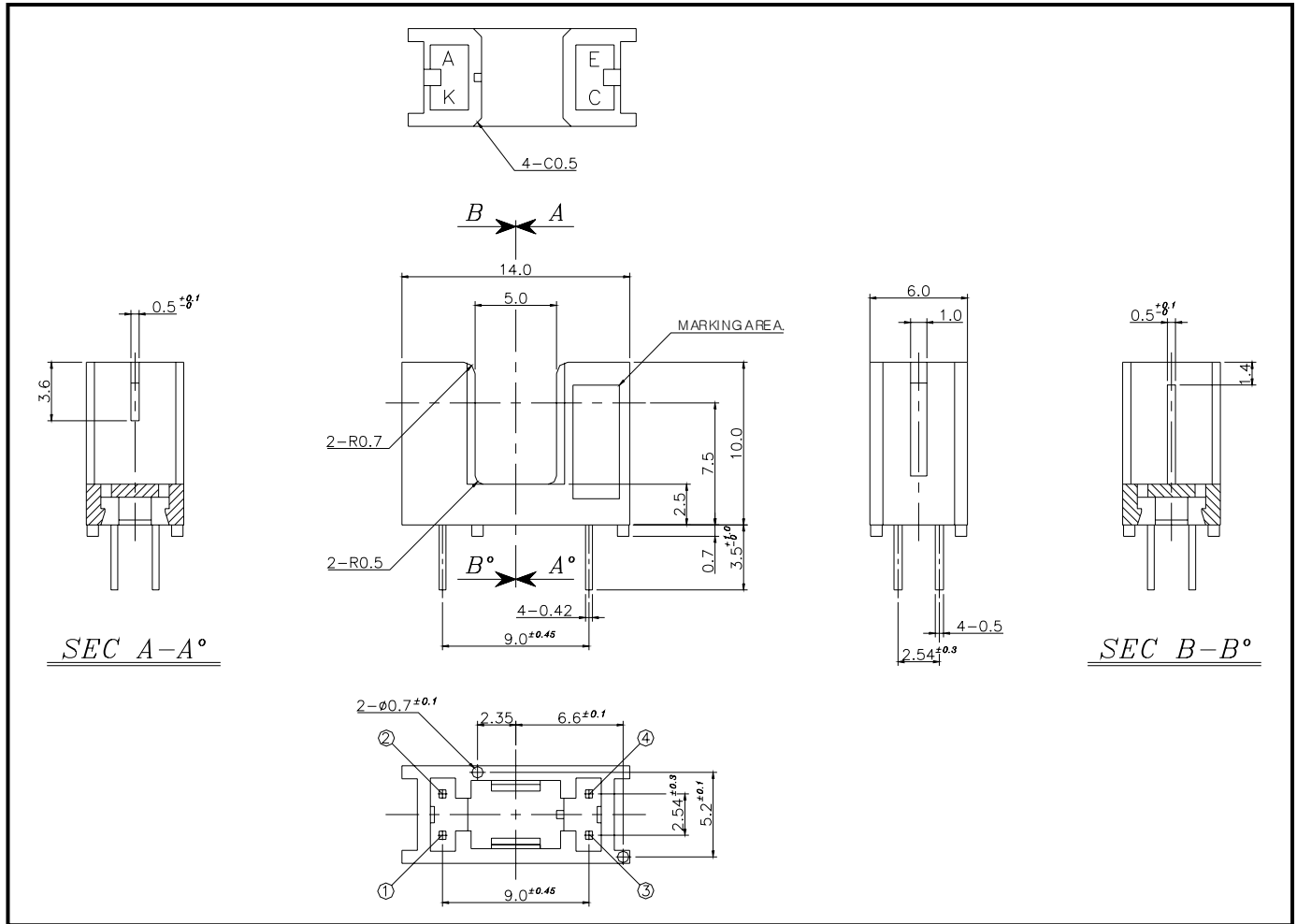
Characteristic		Symbol	Test Condition	Min.	Typ.	Max.	Unit
Input	Forward Voltage	V _F	I _F =20mA	-	1.2	1.7	V
	Peak Wavelength	λ _p	I _F =20mA	-	940	-	nm
	Reverse Current	I _R	V _R =5V	-	-	10	uA
Output	Dark Current	I _{CEO}	V _{CE} =10V, E=0lux	-	-	100	nA
	Peak Wavelength	λ _p	-	-	880	-	nm
Transfer Characteristics	Collector Current	I _C	V _{CE} =5.0V, I _F =20mA (Non shading)	0.5	-	14.0-	mA
	C-E Saturation Voltage	V _{CE(sat)}	I _C =0.1mA, I _F =20mA	-	-	0.4	V
Response Time	Rise Time	t _r	V _{CC} =5.0V, I _C =0.1mA R _L =100Ω	-	5	-	usec
	Fall Time	t _f		-	5	-	usec

- Circuit for Measuring Response Time



The contents of this data sheet are subject to change without advance notice for the purpose of improvement. When using this product, would you please refer to the latest specifications.

Package Outline Dimensions



The contents of this data sheet are subject to change without advance notice for the purpose of improvement. When using this product, would you please refer to the latest specifications.