

LED Module Specifications

PRODUCT SPECIFICATION

Model No.: FYLM-2835UXX-02-38-12V-W

Applications:
<ul style="list-style-type: none"> ■ Channel Letters ■ Lighting source for shop windows ■ Indoor Decoration Lighting ■ Advertising Signs ■ Replacement for Neon



CUSTOMER APPROVED SIGNATURES	APPROVED BY	CHECKED BY	PREPARED BY

NINGBO FORYARD OPTOELECTRONICS CO.,LTD.

Add:NO.115 Qixin Road Ningbo Zhejiang China

Zip:315042

Tel: 0086-574-87933652 87927870 87922206

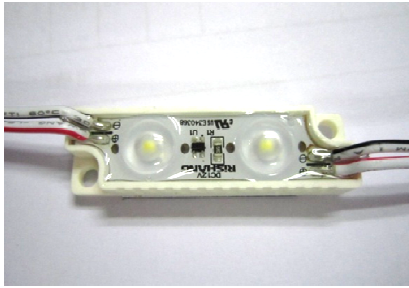
Fax: 0086-574-87927917

E-mail:Sales@foryard.com (General)

[Http://www.foryard.com](http://www.foryard.com)

Model No.: FYLM-2835UXX-02-38-12V-W

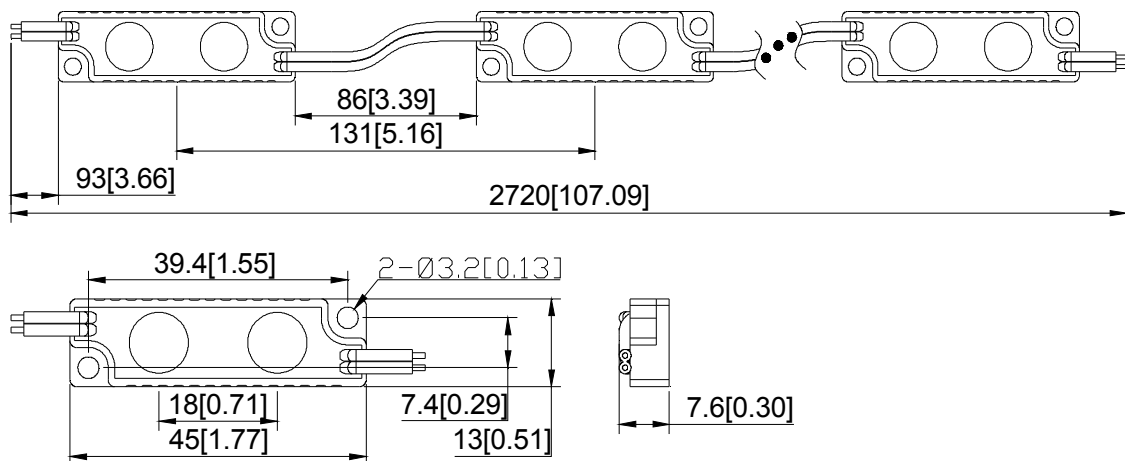
Photo



Features

1. 2835 SMD LED, long life, low attenuation
2. Cascade quantity up to 40pcs;
3. Beam Angle: 160°
4. Constant current, consistent brightness, stable performance
5. CE, RoHS approved, fire rating UL94 V-0

Profile Drawings



Notes:

1. All dimensions are millimeters.
2. Tolerance is ± 1 mm unless otherwise specified.
3. Specifications are subject to change without notice.

Model No.: FYLM-2835UXX-02-38-12V-W

Rating Electrical/Optical Characteristics(1 PCS)

Item	White	Red
Color Temperature(K)	6000	620~625
Wavelength(nm)		
Luminous Flux(lm/piece)	70	10.5
CRI	≥75	-
Luminous Efficiency(lm/W)	97	14.5
Working Voltage (V)	DC12	
Beam Angle (°)	160	
Working Current	60	
Power(W/piece)	0.72	
net weight:(g)	5.5	
LED Quantity(pcs)	1	
Dimension:(mm)	45.0*13.0*7.6	
Life Time(hrs)	13000	
Operation Temperature(°C)	-25~+60	
IP Grade	IP 66	
Approval	CE (NO: E8 06 01 57489 001)	

Rating Electrical/Optical Characteristics(40 PCS)

LED Color	White	Red
Power Dissipation	28.8W	
Total Length	2.72m±0.1m	
Input Current(mA)	2400	
Weight	220g	

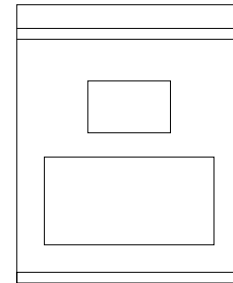
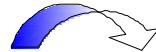
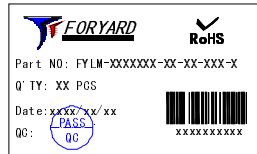
Notes:

1. Testing environment temperature: 25±2°C
2. The above data are typical values; the actual data of each single product could differ from the typical value. The data subject to change without prior notice.

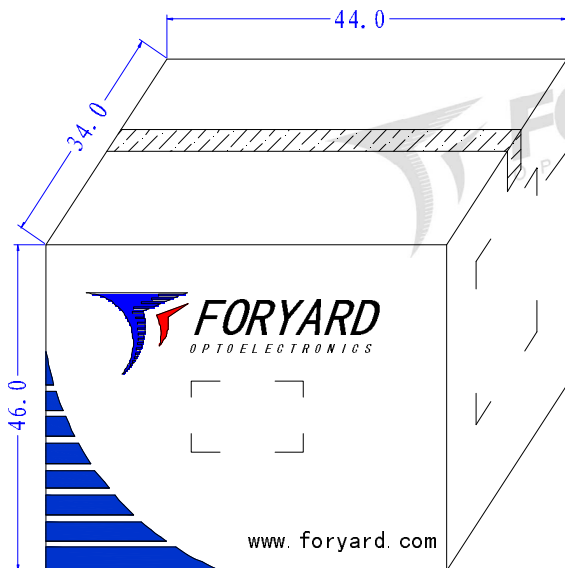
Model No.: FYLM-2835UXX-02-38-12V-W

■ Package(5 meters)

The backsides of all products will stick '3M' branded double-sided sticker with 10mm width.

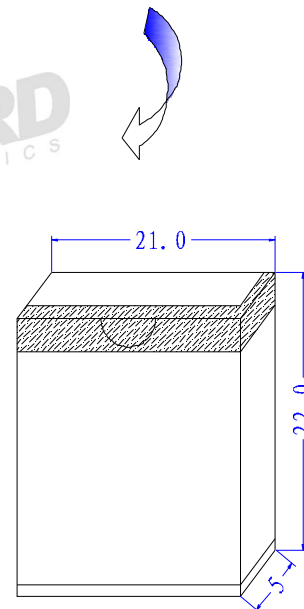
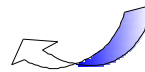


XPCS/Polybag



24Boxes/Carton

OUTSIDE LABEL



xPolybags/Box



OUTSIDE LABEL

Note: The specifications are subject to change without notice. Please contact us for updated information.