

1

2

3

4

5

6

7

A

B

C

D

E

F

G

H

A

B

C

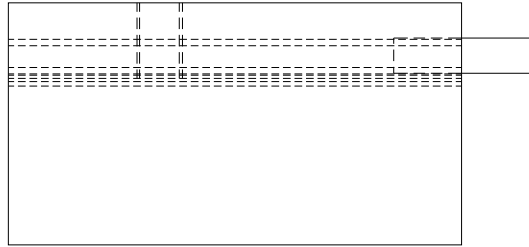
D

E

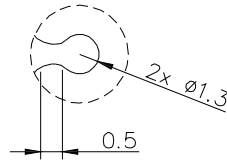
F

G

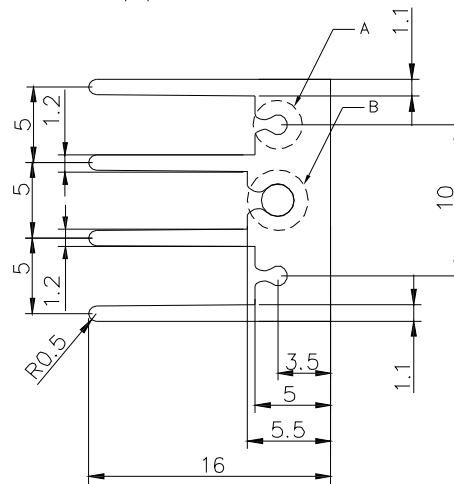
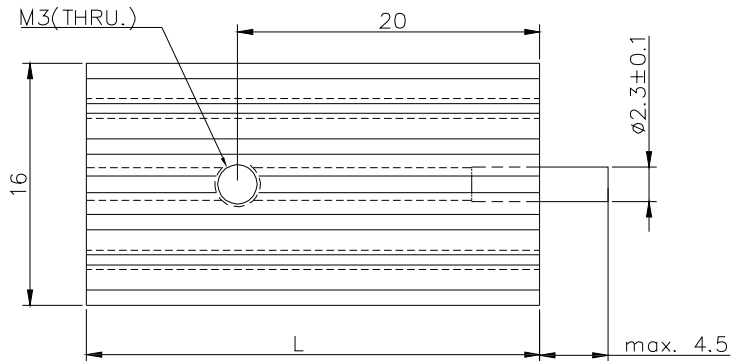
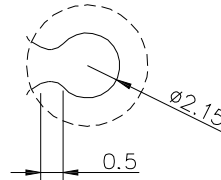
H



Detail A



Detail B



MATERIAL: AL6063-T5
 FINISHED: BLACK ANODIZED
 TOLERANCE: ±0.2mm

No.	L
W	25,0 mm
X	37,5 mm

RoHS compliant

Unit: mm

				Date	Name	Customer-No.
				Drawn	28.09.2005	Storb
				Approved	21.09.2011	A.Plate
						ASSMANN WSW-No. V 7700 x
						Drawing-No. ASS 0502 HS
						rev01
①	Update	21.09.2011	Schulz			Replace
②	Drawn	28.09.2005	Storb			Sheet
Id.	Modification	Date	Name			



1

2

3

4

5

6

7