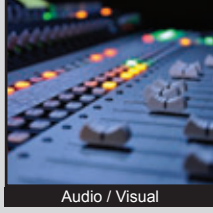


# ULV7 SERIES ANTI-VANDAL SWITCH

ANTI-VANDAL SWITCHES  
DETECTOR SWITCHES  
DIP SWITCHES  
KEYLOCK SWITCHES  
NAVIGATION SWITCHES  
PUSHBUTTON SWITCHES  
ROCKER SWITCHES  
ROTARY SWITCHES  
SLIDE SWITCHES  
SNAP ACTION SWITCHES  
TACTILE SWITCHES  
TOGGLE SWITCHES  
CAP OPTIONS



## APPLICATIONS / MARKETS



**CURUS** **RoHS**

## SPECIFICATIONS

**Electrical Rating:** 3A, 250VAC  
**Mechanical Life:** 1,000,000 cycles (momentary); 500,000 cycles (latching)  
**Electrical Life:** 50,000 Cycles  
**Contact Resistance:** 50mΩ  
**Insulation Resistance:** 1000 MΩ @ 500VDC  
**Dielectric Strength:** 2,000VAC  
**Operating/Storage Temperature:** -20°C to 55°C  
**Travel:** 3.2mm  
**Moisture Protection:** IP67  
**Contact Arrangement:** SPDT or DPDT  
**Actuation Force:** Single Pole: 2.5N; Double Pole: 3.5N  
**Panel Thickness:** 1-10mm  
**Hex Nut Torque:** 5-14Nm  
**Mechanical Impact Protection:** IK10  
**Agency Approvals:** cURus

## FEATURES & BENEFITS

- 22mm diameter panel cutout
- Ring illumination
- Multiple switch functions available
- Multiple illumination voltage options
- IP67 rated
- SPDT or DPDT
- UL Certified
- Custom graphics available

## PART NUMBER CONFIGURATOR

Series	Actuator Options	Terminal Options	Function Options	Body Finish Options	Actuator Finish Options	Contact Material Options	Lens Style Options	LED Color Options	Illumination Voltage Options
ULV7	F - Flat	2 - Solder	3 - 1P ON-ON B - 1P ON-(ON)* G - 2P ON-ON H - 2P ON-(ON)*	S - Stainless Steel 1 - Black Anodized	S - Stainless Steel 1 - Black Anodized	None - Silver G - Gold	None - non-illuminated 3 - Ring, moveable with actuator 6 - Ring / power symbol**	None - Non-Illuminated 0 - White 1 - Red 2 - Orange 3 - Green 4 - Blue 5 - Yellow C - White / Green G - Red / Green H - Red / Blue J - Red / Yellow K - Orange / Green L - Orange / Blue M - Orange / Yellow N - Green / Blue P - Green / Yellow Q - Blue / Yellow	1 - 3V 3 - 6V 4 - 12V 5 - 24V 6 - 110V 7 - 220V

**NOTES:**  
 \* ( ) denotes function is momentary  
 \*\* Lens Style option "6 - Ring/Power Symbol" is only available with the Stainless Steel housing

Specifications subject to change without notice

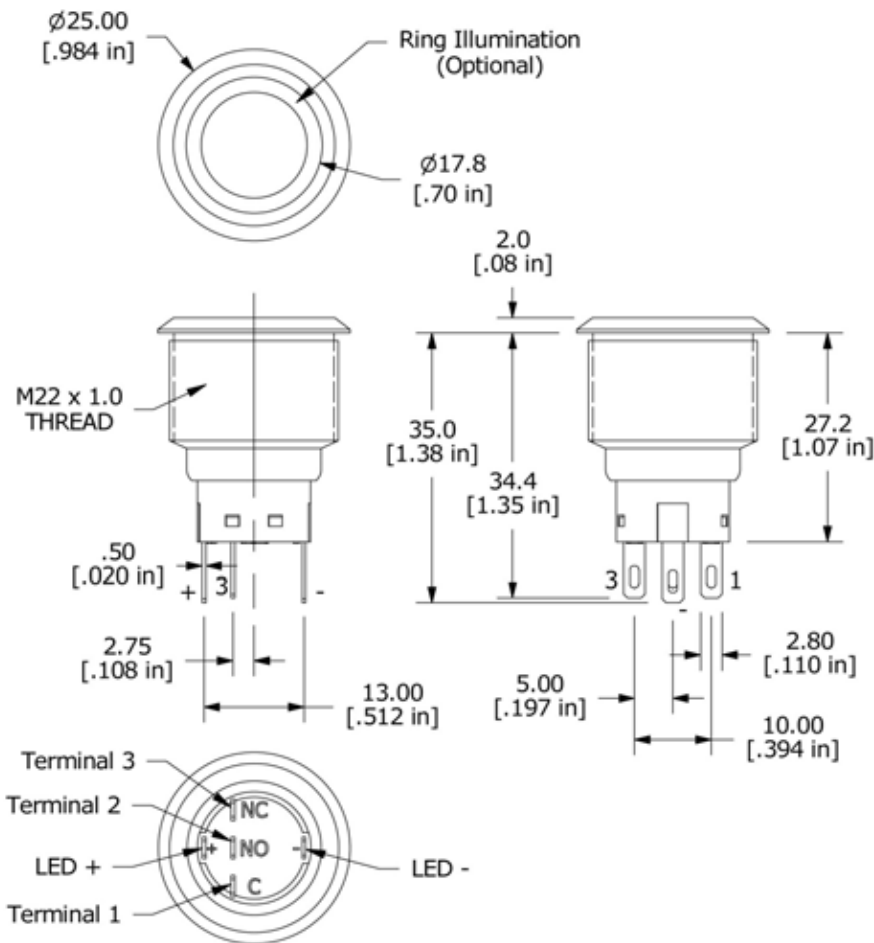


**E-SWITCH®**

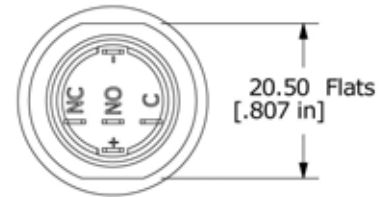
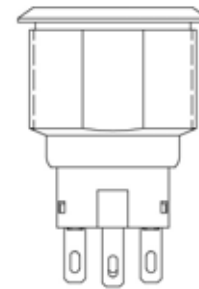
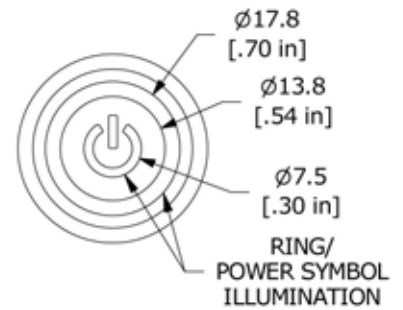
www.e-switch.com 800.867.2717

# ULV7 SERIES ANTI-VANDAL SWITCH

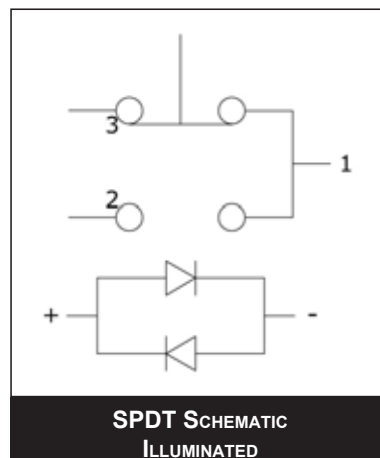
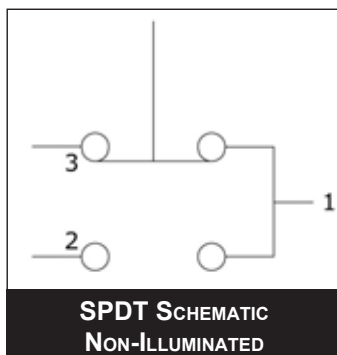
## SPDT Body Dimensions



SPDT Illuminated Option Shown.  
The LED + and - Terminals are not included on the Non-Illuminated Options



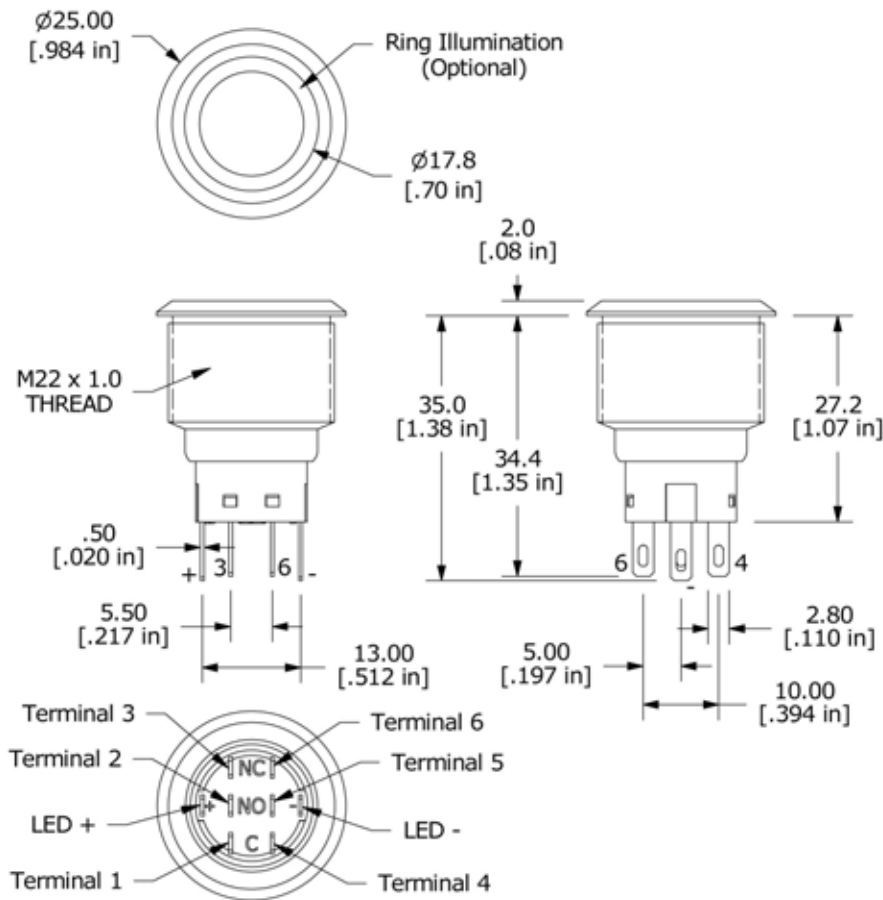
Housing with Flats (SPDT or DPDT) used on Switches with Ring/Power symbol or other custom Graphics (SPDT shown)  
(See Standard SPDT or DPDT Dimensional Layout for other Dimensions)



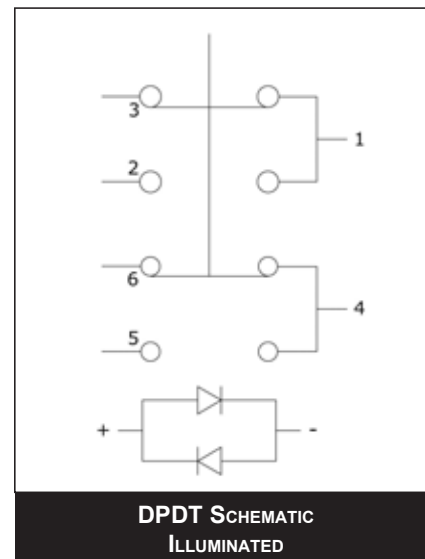
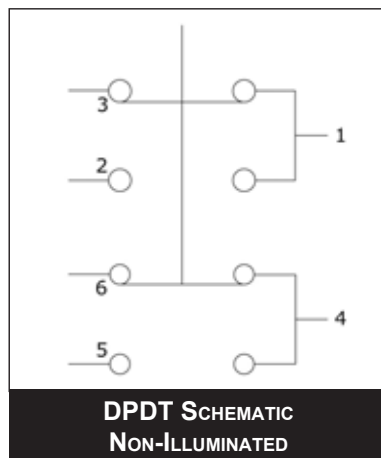
- ANTI-VANDAL SWITCHES
- DETECTOR SWITCHES
- DIP SWITCHES
- KEYLOCK SWITCHES
- NAVIGATION SWITCHES
- PUSHBUTTON SWITCHES
- ROCKER SWITCHES
- ROTARY SWITCHES
- SLIDE SWITCHES
- SNAP ACTION SWITCHES
- TACTILE SWITCHES
- TOGGLE SWITCHES
- CAP OPTIONS

# ULV7 SERIES ANTI-VANDAL SWITCH

## DPDT BODY DIMENSIONS

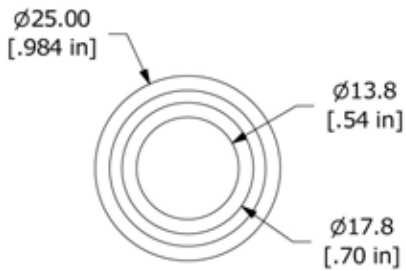


DPDT Illuminated  
Option Shown  
The LED + and - Terminals  
are not included on  
the Non-Illuminated Options

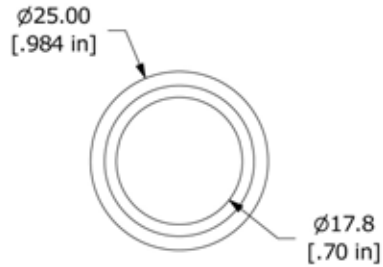


# ULV7 SERIES ANTI-VANDAL SWITCH

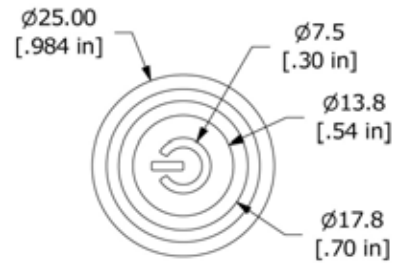
## ACTUATOR OPTIONS



Ring Illuminated

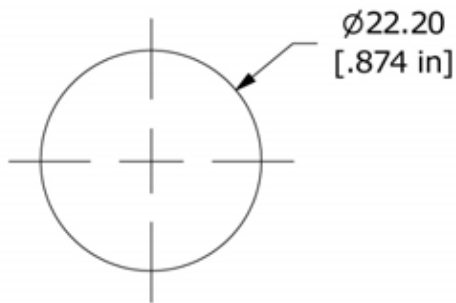


Non Illuminated

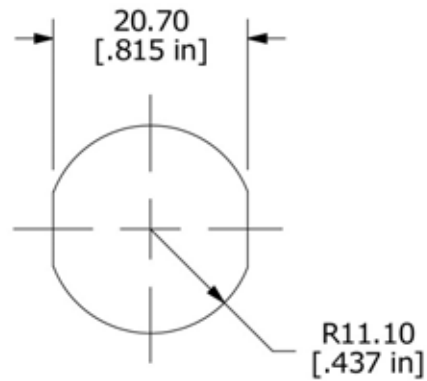


Ring/Power Symbol Illuminated

## PANEL CUTOUT



Round Housing



Housing with Flats

