

This document, including the design, configuration and mechanical features revealed herein are the sole, confidential and proprietary property of Tru-Connector Corporation. Reproduction or use thereof, in whole or part, is prohibited without the prior written consent of Tru-Connector Corporation.

REV	DESCRIPTION	DATE	APPROVAL
/	ORIGINAL ISSUE	11-27-01	AM

## ENGINEERING DATA:

### ELECTRICAL:

IMPEDANCE: 50 Ohms Nominal  
 FREQUENCY RANGE: .05 to 40 GHz  
 INSERTION LOSS:  $.065 \times \sqrt{f \text{ (GHz)}}$  dB Max.  
 VSWR: .050 to 18GHz: 1.20:1  
       18 to 26.5 GHz: 1.25:1  
       26.5 to 40.0 GHz: 1.35:1

### MECHANICAL:

INTERFACE(s): Per MIL-STD-348

### MATERIAL:

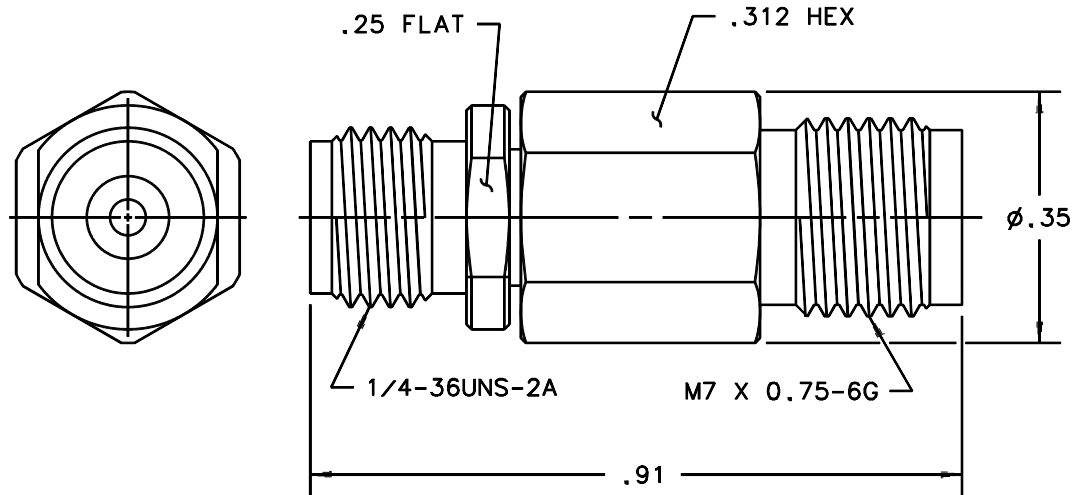
CENTER CONTACT: Beryllium Copper  
 OUTER CONTACT: Stainless Steel  
 INSULATOR: NORYL

### FINISH:

CENTER CONTACT: Gold Plated  
 OUTER CONTACT: Passivated

### ENVIRONMENTAL:

TEMPERATURE: -55°C to +100°C



### NOTES:

- UNLESS OTHERWISE SPECIFIED; ALL DIMENSIONS ARE REFERENCE ONLY.

### UNLESS OTHERWISE SPECIFIED:

DIMENSIONS ARE IN INCHES  
 CHAMFER FIRST THREAD 45°  
 DIMENSIONS BEFORE PLATING

TOLERANCES:  
 FRACTIONS: ±1/64  
 .XX ±.01  
 .XXX ±.005  
 ANGLES: ±1/2°  
 MACHINED SURFACES  $\sqrt{}$

THIRD ANGLE PROJECTION

DRAWN BY	MVC	DATE	11-19-01
ENG APPROVAL	AM	DATE	11-27-01
MFG APPROVAL		DATE	
OTHER APPROVAL		DATE	

REFERENCE



TRU-CONNECTOR CORPORATION  
 245 LYNNFIELD STREET  
 PEABODY, MASSACHUSETTS

TITLE			
CONNECTOR, COAXIAL, RF 2.4 mm(f) to K(f) ADAPTER, STRAIGHT			
SIZE	CAGE CODE	DWG NO.	REV
A	92180	TRU-7407-GPX	/
CAD FILE:		SCALE 4X	SHEET 1 of 1