

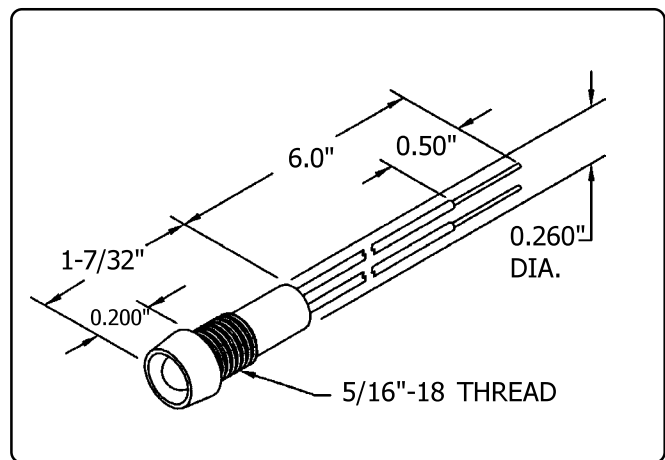
Threaded LED Indicator Lights for 5/16" Dia. Mounting Hole

L79 SERIES

- LED INDICATOR LIGHTS WITH BUILT-IN REFLECTOR
- 5/16" DIA. MOUNTING HOLE
- THREADED HOUSING AND NUT
- 6" WIRE LEADS • CLEAR OR DIFFUSED LENS • VARIOUS LENS COLORS
- 2 TO 125 DESIGN VOLTS

Overview

The L79 Series LED indicators are constructed with a threaded housing with a built-in reflector. Each unit has a high brightness clear or diffused LED. Low voltage DC units are supplied with two color-coded 6" wire leads. 125 Volt AC units are supplied with a bi-polar LED and two white wire leads. Standard voltages range from 2 to 24 volts DC or 125 volts AC. Indicators mount into a 5/16" diameter mounting hole with a maximum panel thickness of 0.250" (6.35mm). A hex nut and lockwasher are supplied. Current: 20mA Typical.



Specifications

Housing: chrome plated brass. Supplied with lockwasher and hex nut.

Gasket: neoprene.

LED Lens: clear (L79C) or diffused (L79D).

LED DC voltage options: 2, 6, 12, 24 volts.

LED AC voltage options: 125 volts.

Note: 125 volts AC units contain a bi-polar LED.

Wire leads:

6" leads: #24 AWG, prebonded copper, thin wall PVC, UL/CSA rated 105° C, stripped 1/2". DC units are supplied with a red wire lead which denotes the anode (+) while a black wire lead identifies the cathode (-). AC units are supplied with two white wire leads. Custom wire lengths, stripping, termination and wire types are available.

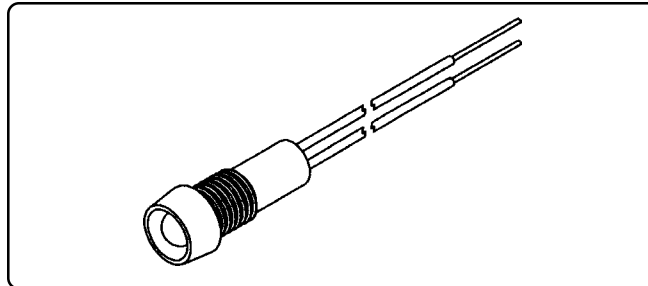
Other LEDs: bi-color, low current or ultra bright.

Can't find it here? We have many more standard and custom solutions

For further information, phone Customer Service at 800.522.5546.

Threaded LED Indicator Lights for 5/16" Dia. Mounting Hole

L79 SERIES
LED Indicator Light
Clear Lens or
Diffused Lens
Various Lens Colors



6" Wire Leads
**Chrome Plated-
Brass Housing**
With Reflector
2 to 125 Design Volts

Part Number	Lens Style	Lens Color	Design Volts DC AC Design Volts*	Typical LED Intensity (mcd)	Typical LED Viewing Angle
L79C-G2-W	Clear	Green	2	100	30°
L79C-G6-W	Clear	Green	6	100	30°
L79C-G12-W	Clear	Green	12	100	30°
L79C-G24-W	Clear	Green	24	100	30°
L79C-G125-W	Clear	Green	125*	100	30°
L79C-R2-W	Clear	Red	2	100	30°
L79C-R6-W	Clear	Red	6	100	30°
L79C-R12-W	Clear	Red	12	100	30°
L79C-R24-W	Clear	Red	24	100	30°
L79C-R125-W	Clear	Red	125*	100	30°
L79C-Y2-W	Clear	Yellow	2	100	30°
L79C-Y6-W	Clear	Yellow	6	100	30°
L79C-Y12-W	Clear	Yellow	12	100	30°
L79C-Y24-W	Clear	Yellow	24	100	30°
L79C-Y125-W	Clear	Yellow	125*	100	30°
L79D-G2-W	Diffused	Green	2	80	60°
L79D-G6-W	Diffused	Green	6	80	60°
L79D-G12-W	Diffused	Green	12	80	60°
L79D-G24-W	Diffused	Green	24	80	60°
L79D-G125-W	Diffused	Green	125*	80	60°
L79D-R2-W	Diffused	Red	2	80	60°
L79D-R6-W	Diffused	Red	6	80	60°
L79D-R12-W	Diffused	Red	12	80	60°
L79D-R24-W	Diffused	Red	24	80	60°
L79D-R125-W	Diffused	Red	125*	80	60°
L79D-Y2-W	Diffused	Yellow	2	80	60°
L79D-Y6-W	Diffused	Yellow	6	80	60°
L79D-Y12-W	Diffused	Yellow	12	80	60°
L79D-Y24-W	Diffused	Yellow	24	80	60°
L79D-Y125-W	Diffused	Yellow	125*	80	60°

Polarity Determination - Wire Leads: Red wire lead denotes anode (+); black wire lead denotes cathode (-).