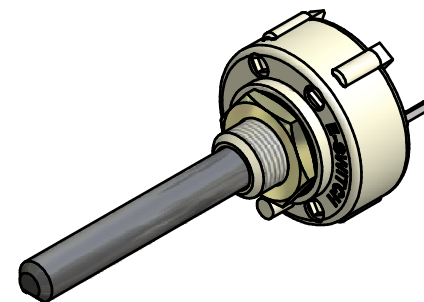
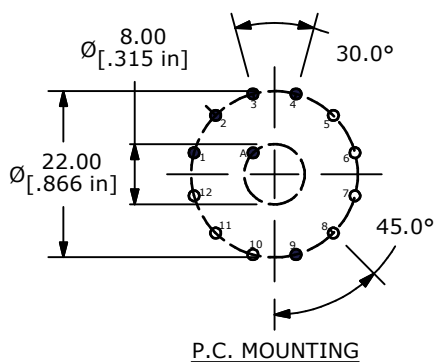
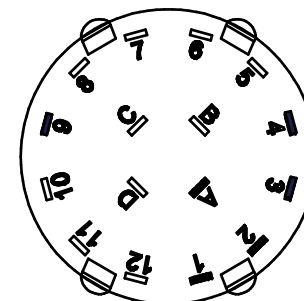
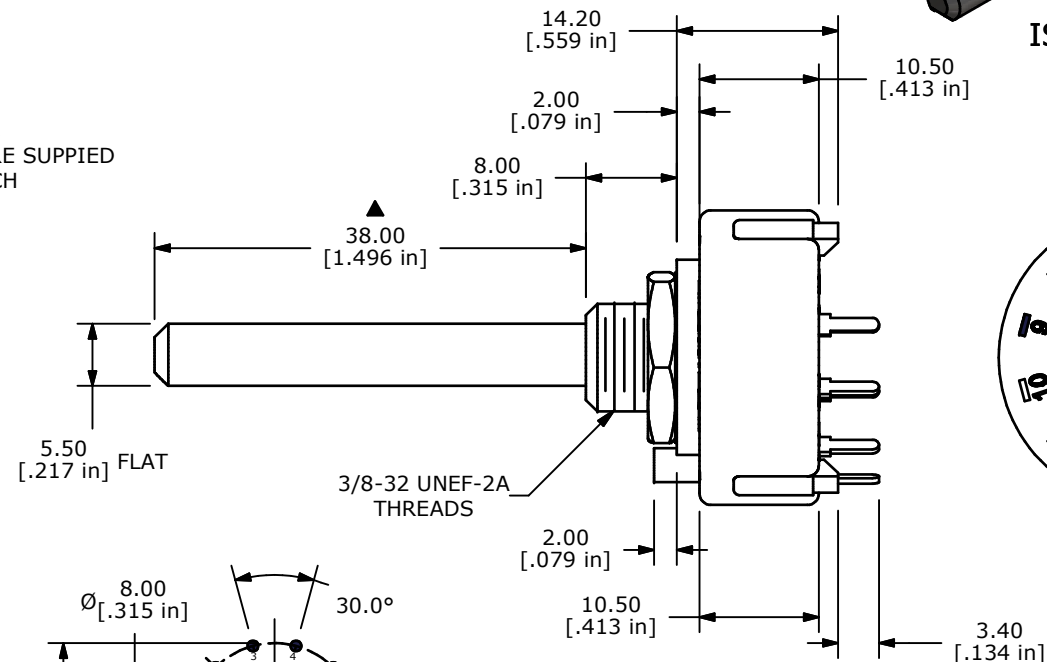
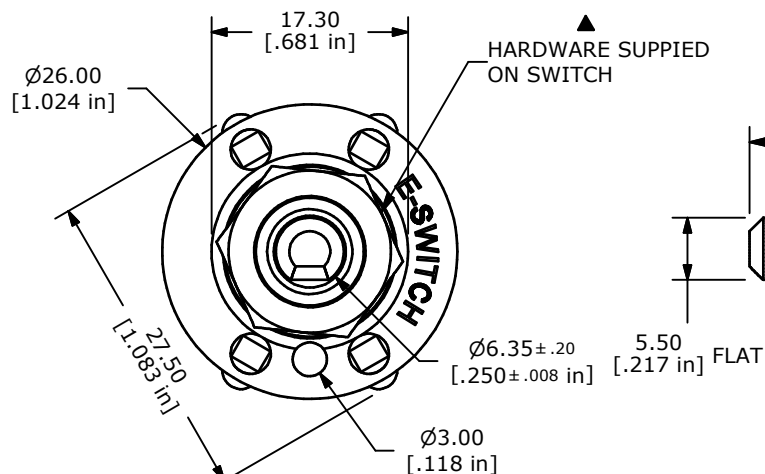


CONTACT CONFIGURATION
TIMING (BBM) NON-SHORTING



ISOMETRIC



- NOTE:**
1. ALL DIMENSIONS IN MM [INCH].
 2. GENERAL TOLERANCE: X.X=±0.4
X.XX=±0.25
 3. TERM. NOS. FOR REFERENCE ONLY.
 - ▲4. CONTACT MATERIAL: SILVER
 5. CONTACT RATING: 0.3A @ 125VAC
 6. CONTACT RATING: (NON-SWITCHING) 5A
 7. OPERATING FORCE 800±300gm-cm
 8. OPERATING TEMP: -30°C TO 85°C
 - ▲9. CIRCUIT SP: 4 POSITION 30° INDEX.
 10. DIELECTRIC STRENGTH: 500VAC FOR 1 MIN.
 - ▲11. HARDWARE SUPPLIED ON SWITCH:
LOCKWASHER, HEXNUT, STOP RING
 12. ▲ DENOTES CRITICAL PARAMETER.
 13. 2002/95/EC (ROHS) COMPLIANT



B	17741	ADDED PIN # 9	10/8/07	BF
REV	PCR NO	DESCRIPTION	DATE	BY

E-SWITCH™				
TITLE KC14A38.001NPS				
SCALE	DATE	DR	DWG	REV
1.5:1	10/8/2007	BF	G511015	B

THE INFORMATION CONTAINED IN THIS DOCUMENT IS PROPRIETARY TO E-SWITCH AND IS NOT TO BE COPIED OR TRANSFERRED