

Specification

LED Flat Panel Light

Series FLP0606080XE03

Version 1.0

Date 2011/11/17

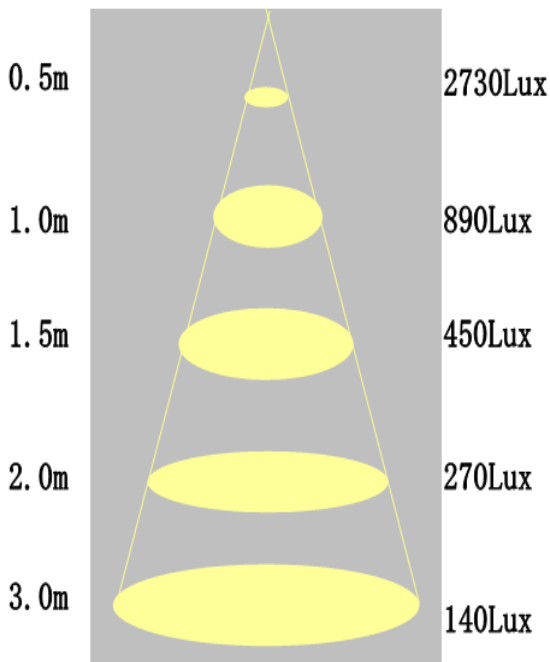
LED Patio Light (600mm*600mm)

FLP0606080WE03 FLP0606080NE03 FLP0606080CE03

Features

- High CRI (>75)
- Input Voltage: AC95 – 265V
- Long life span and low maintenance cost
- No ultraviolet light, infrared light and other radiation
- Most common color temperature: 3000K, 4200K, 6000K
- RoHS compliant, Mercury-free and no hazardous materials

Illumination Distribution

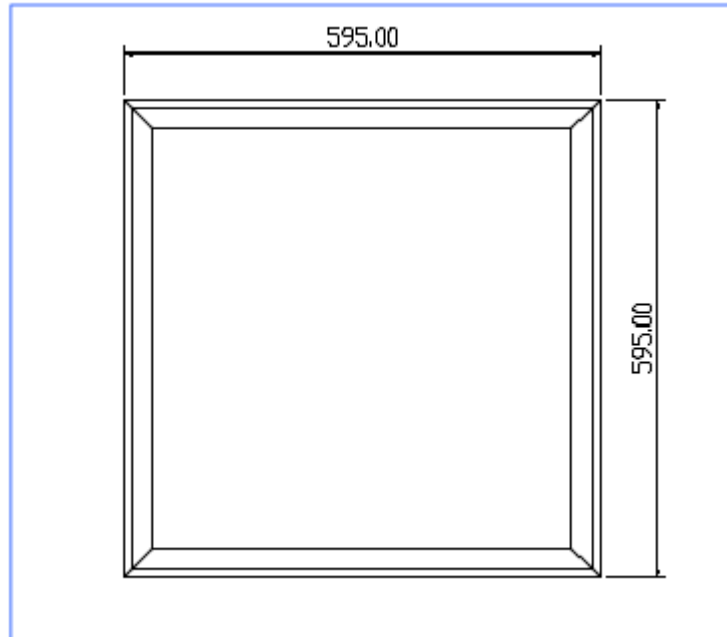


CE RoHS

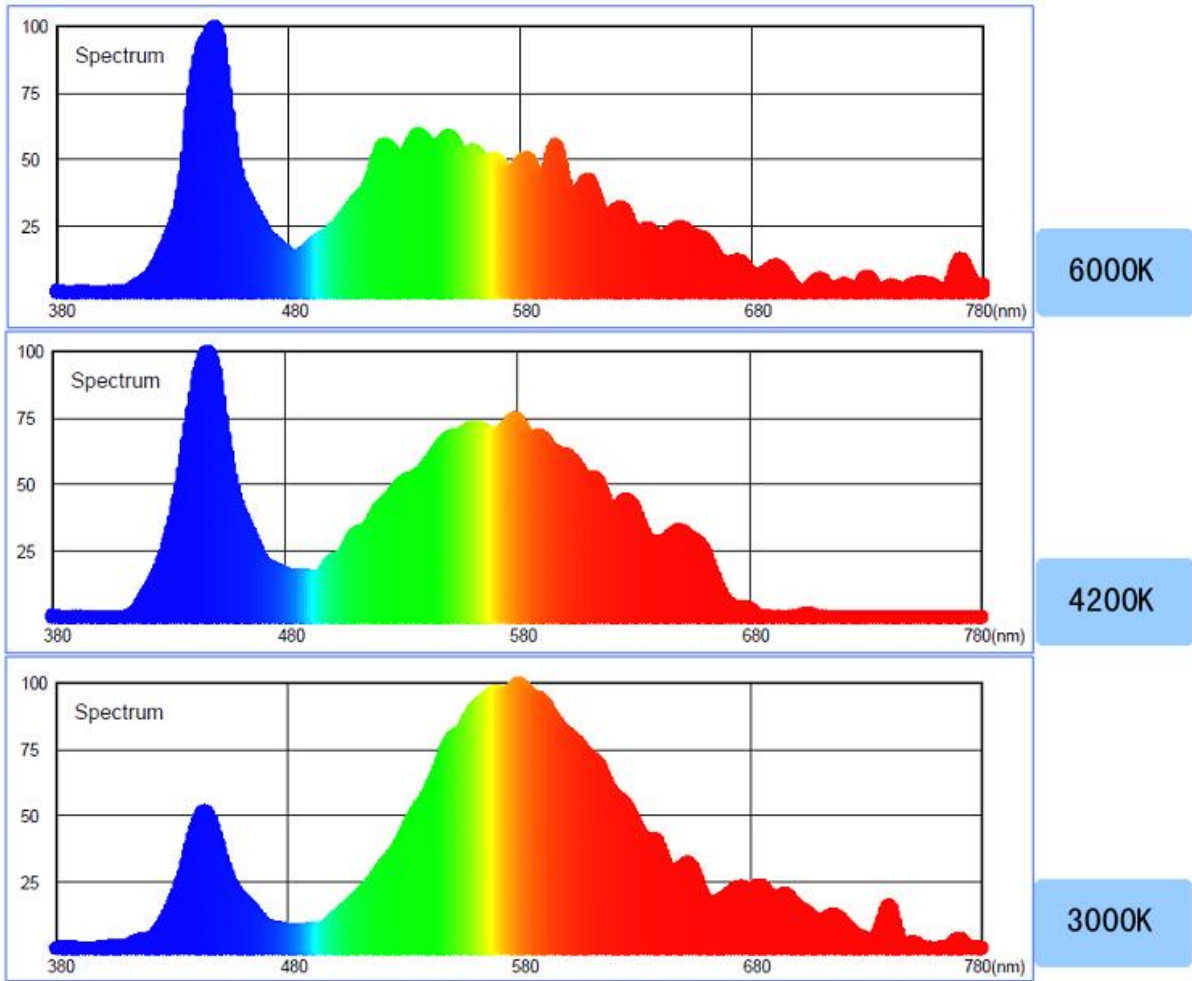
Specification

Part Number	FLP0606080WE03	FLP0606080NE03	FLP0606080CE03
Input Voltage	AC95-265V		
Total Power	80W		
Power Factor	>0.9		
CCT	2760~3160K	3920~4600K	5450~6600K
Total Flux	3600lm	4200lm	4400lm
CRI	80	80	80
View Angle	180°		
LED Package	SMT5630		
Case Temperature (Ts)	55°C		
LED Junction Temperature (Tj)	68°C		
Life	40,000hr		
Ambient Temperature	-20~55°C		
Humidity	≤80%		
Storage Temperature	-40~60°C		
Material	PMMA/Alufer		
Dimension	L*W=595*595mm		

■ Exterior Dimension Drawing

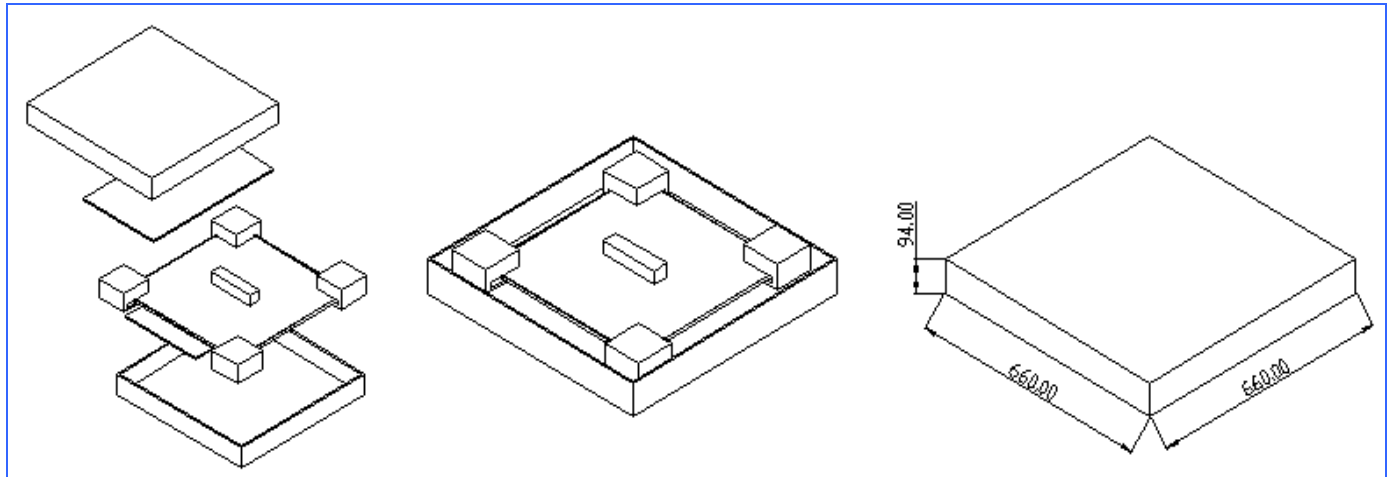


■ **Spectrum Distribution**



■ Packaging Specification

Panel light is packaged individually. The module is covered with foam first and then stored in the outer box.



Outer Box Dimension: **660*660*94mm**

Revision History:

Description:	Revision #	Revision Date
New Release of FLP0606080XE03 Series	V1.0	11/17/2011



Disclaimer

QT-BRIGHTTEK reserves the right to make changes without further notice to any products herein to improve reliability, function or design. QT-BRIGHTTEK does not assume any liability arising out of the application or use of any product or circuit described herein; neither does it convey any license under its patent rights, nor the rights of others.

Life Support Policy

QT-BRIGHTTEK's products are not authorized for use as critical components in life support devices or systems without the express written approval of QT-BRIGHTTEK. As used herein:

1. Life support devices or systems are devices or systems which, (a) are intended for surgical implant into the body, or (b) support or sustain life, and (c) whose failure to perform when properly used in accordance with instructions for use provided in the labeling, can be reasonably expected to result in a significant injury of the user.
2. A critical component in any component of a life support device or system whose failure to perform can be reasonably expected to cause the failure of the life support device or system, or to affect its safety or effectiveness.