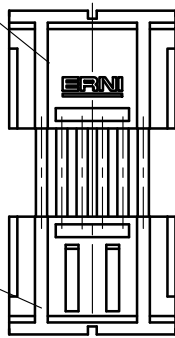
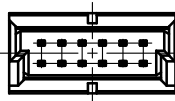
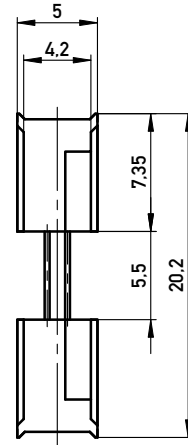
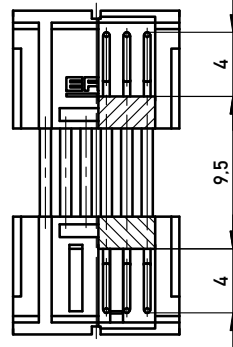


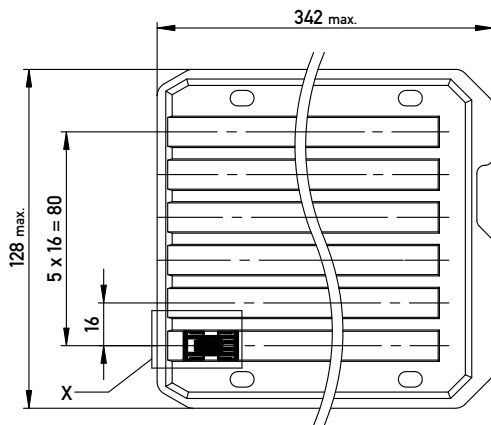
ohne Verriegelung  
without interlocking



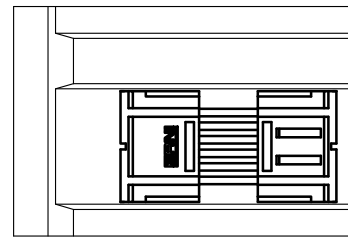
mit Verriegelung  
with interlocking



Verpackt in Tray -tray packaging  
Verpackungseinheit 90 Stück -packaging unit 90



Einzelheit X (M 2:1)  
detail X



Adapterstück für board-to-board Abstand von 22mm (beidseitig verbaut mit Federleiste: 154805, Low Profile)  
Adapter for board-to-board height 22mm (in combination with two female connectors: 154805, low profile)

Copyright by ERNI GmbH Proprietary notice pursuant to ISO 16016 to be observed.	Information:		Tolerances	 All Dimensions in mm	Scale 3:1	
	All rights reserved. Only for Information. To ensure that this is the latest version of this drawing, please contact one of the ERNI companies before using.		Subject to modification without prior notice. Drawing will not be updated.		Designation <b>1,27 DRC Adapterstück BTB 22mm</b> <i>12-polig</i>	
	E01	25.06.2008		www.ERNI.com	<b>364095</b>	I
	Index	Date			Class DRCBTB	A3