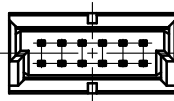
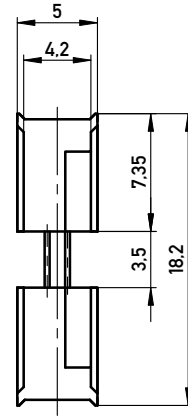
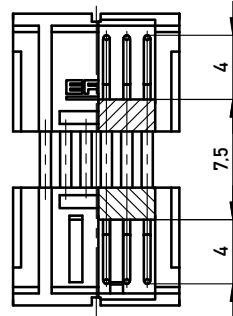
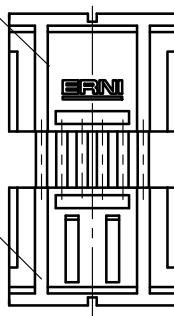
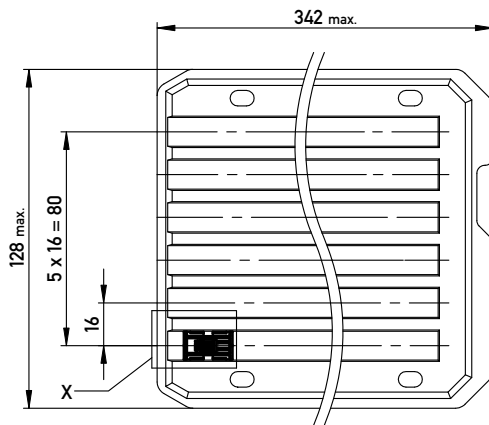


ohne Verriegelung
without interlocking

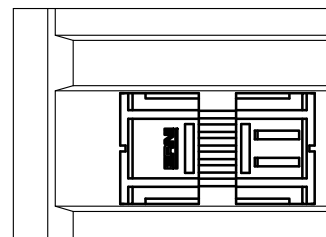
mit Verriegelung
with interlocking



Verpackt in Tray -tray packaging
Verpackungseinheit 102 Stück -packaging unit 102



Einzelheit X (M 2:1)
detail X



Adapterstück für board-to-board Abstand von 20mm (beidseitig verbaut mit Federleiste: 154805, Low Profile)
Adapter for board-to-board height 20mm (in combination with two female connectors: 154805, low profile)

Copyright by ERNI GmbH Proprietary notice pursuant to ISO 16016 to be observed.	Information:		Tolerances	 All Dimensions in mm	Scale 3:1	
	All rights reserved. Only for Information. To ensure that this is the latest version of this drawing, please contact one of the ERNI companies before using.		Subject to modification without prior notice. Drawing will not be updated.		Designation 1,27 DRC Adapterstück BTB 20mm <i>12-polig</i>	
	E01	25.06.2008		www.ERNI.com	364094	I
	Index	Date			Class DRCBTB	A3