

# KR Electronics, Inc.

## General Description

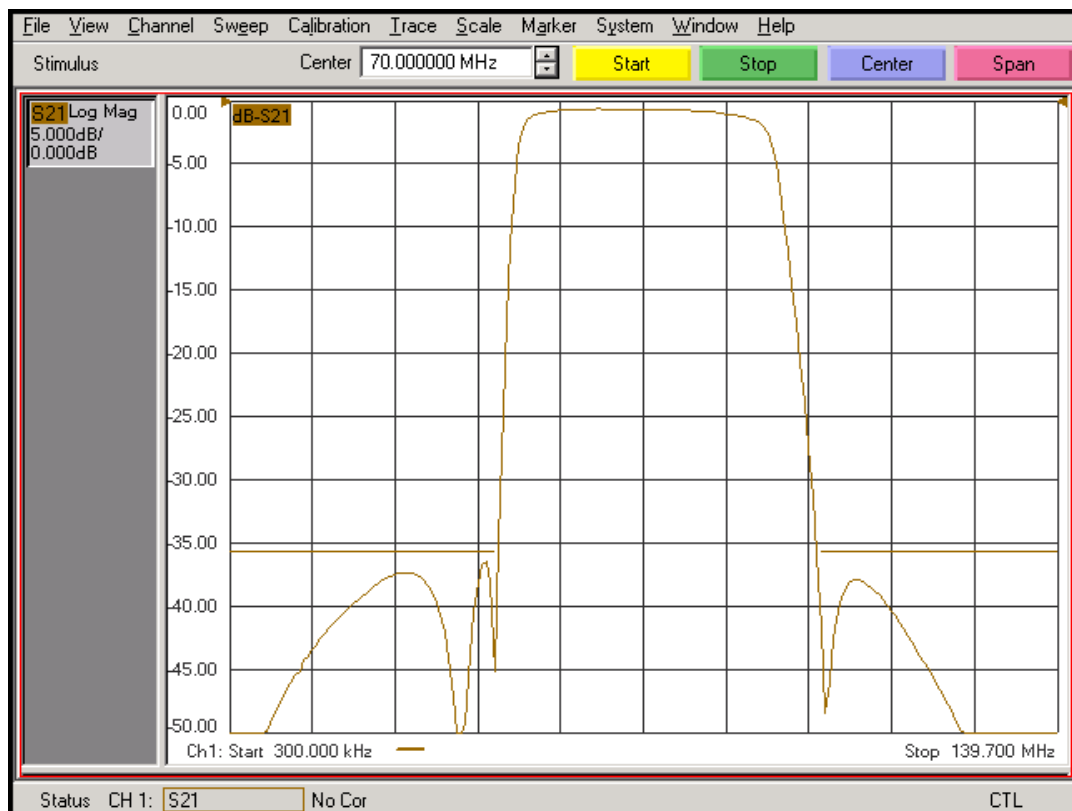
KR Electronics part number 2972 is a 70 MHz bandpass filter. The filter has a minimum 1.5 dB bandwidth of 40 MHz. Other center frequencies and bandwidths available. Please consult the factory.

### Features

- 70 MHz Center Frequency
- 40 MHz minimum 1.5 dB Bandwidth
- Elliptic Type for High Selectivity
- 50  $\Omega$  Source and Load
- Surface Mount

## Typical Performance

### Overall Response (5 dB/div)

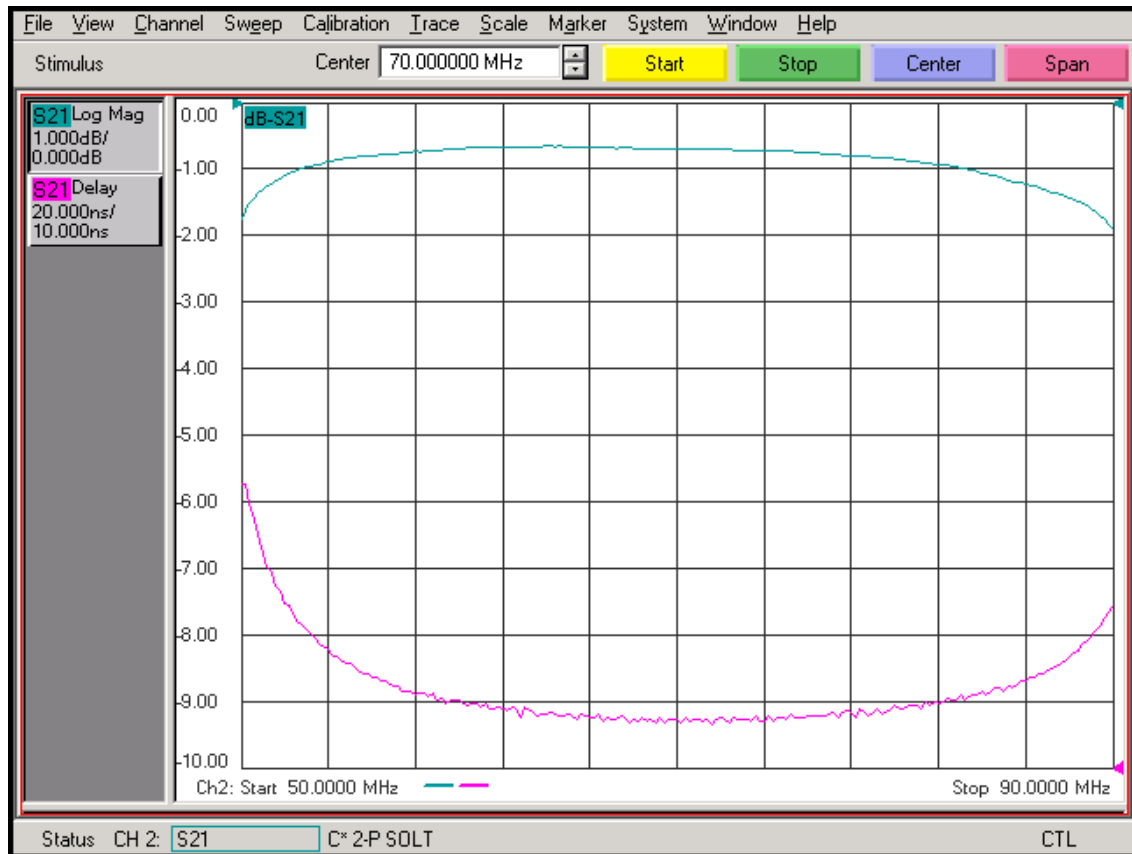


KR Electronics, Inc.  
91 Avenel Street  
Avenel, NJ 07001

Web [www.krfilters.com](http://www.krfilters.com)  
Email [sales@krfilters.com](mailto:sales@krfilters.com)  
Phone (732) 636-1900  
Fax (732) 636-1982

## Typical Performance

### Passband Amplitude & Group Delay (1 dB/div & 20 nsec/div)

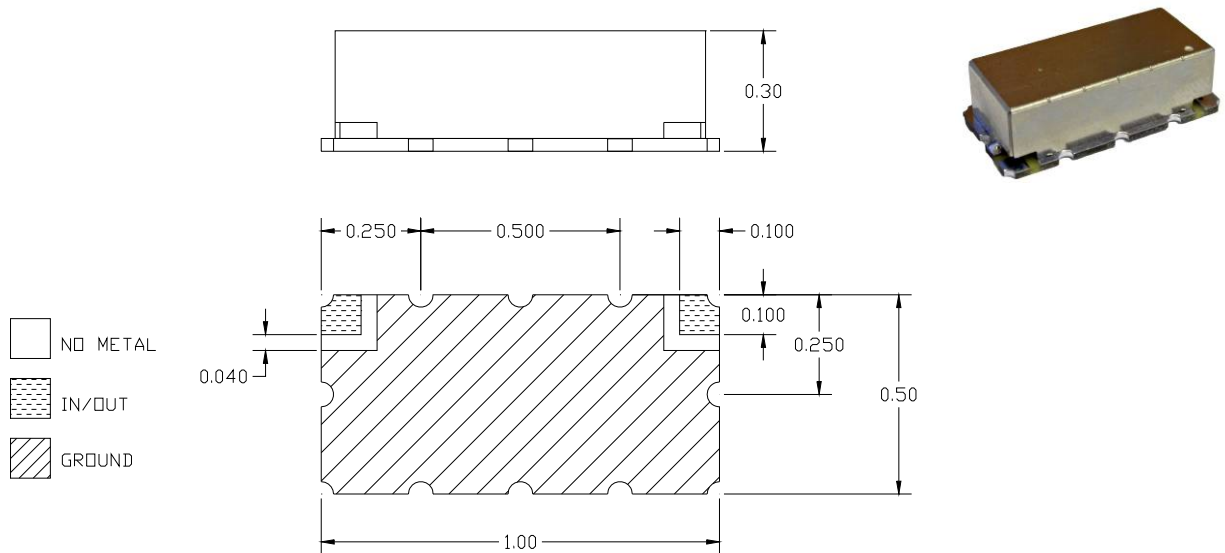


# KR Electronics 2972

## Specifications

Parameter	Specification
Filter type	Bandpass
Center Frequency	70 MHz
Insertion Loss	2 dB max < 1 dB typical
1.5 dB Bandwidth	40 MHz min
Rejection at 45 MHz	35 dB min
Rejection at 100 MHz	35 dB min
Source and Load	50 Ω

## Physical Dimensions



### Notes:

1. Surface mount package
2. Dimensions in inches
3. Max reflow temperature 209° C for 10 sec
4. If boards are cleaned after installation units must be completely dried

KR Electronics, Inc.  
91 Avenel Street  
Avenel, NJ 07001

Web [www.krfilters.com](http://www.krfilters.com)  
Email [sales@krfilters.com](mailto:sales@krfilters.com)  
Phone (732) 636-1900  
Fax (732) 636-1982