

RECOMMENDED PANEL CUTOUT
EMPFÖHLENER FRONTPLATTEN-AUSSCHNITT

NOTE 1: C-UL APPROVED E145613
NOTE 2: RoHS COMPLIANT

Technical specifications

Materials & Finish	Standard applic.	Value
Insulation body	Standard description	PBT 30%
Contact material	Standard description	C5210 (acc. JIS)
Contact finish, mating zone	Thickness of plating	30 µm Au over 50 µm Ni
Contact finish termination zone	Thickness of plating	80 µm matte Sn over 50 µm Ni
Shell/shield material	Standard description	C2680 (acc. JIS)
Shell/shield plating	Thickness of plating	50 µm Ni

Assembly process	Value
Packaging	Tray
Solder temperature	235°C at 3-5s
Suitable assembly process	wave

Approvals	UL 94	Value
UL insulation body	UL 94	V0
UL File No.		E145613
RoHS compliant		Yes

Test Data	Standard applic.	Value
Mechanical properties		
Insertion/withdrawal force	IEC 603-7	max. 20 N
Mechanical operations	IEC 512-5, 9a	min. 1.000
Effectiveness of connector coupling device	IEC 512-8, 15f	50 N

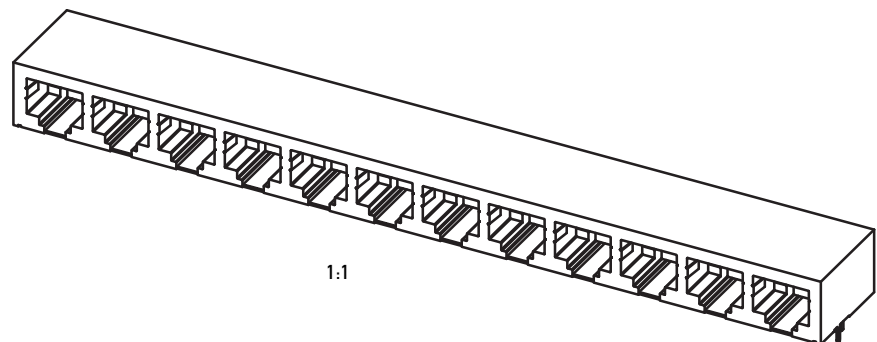
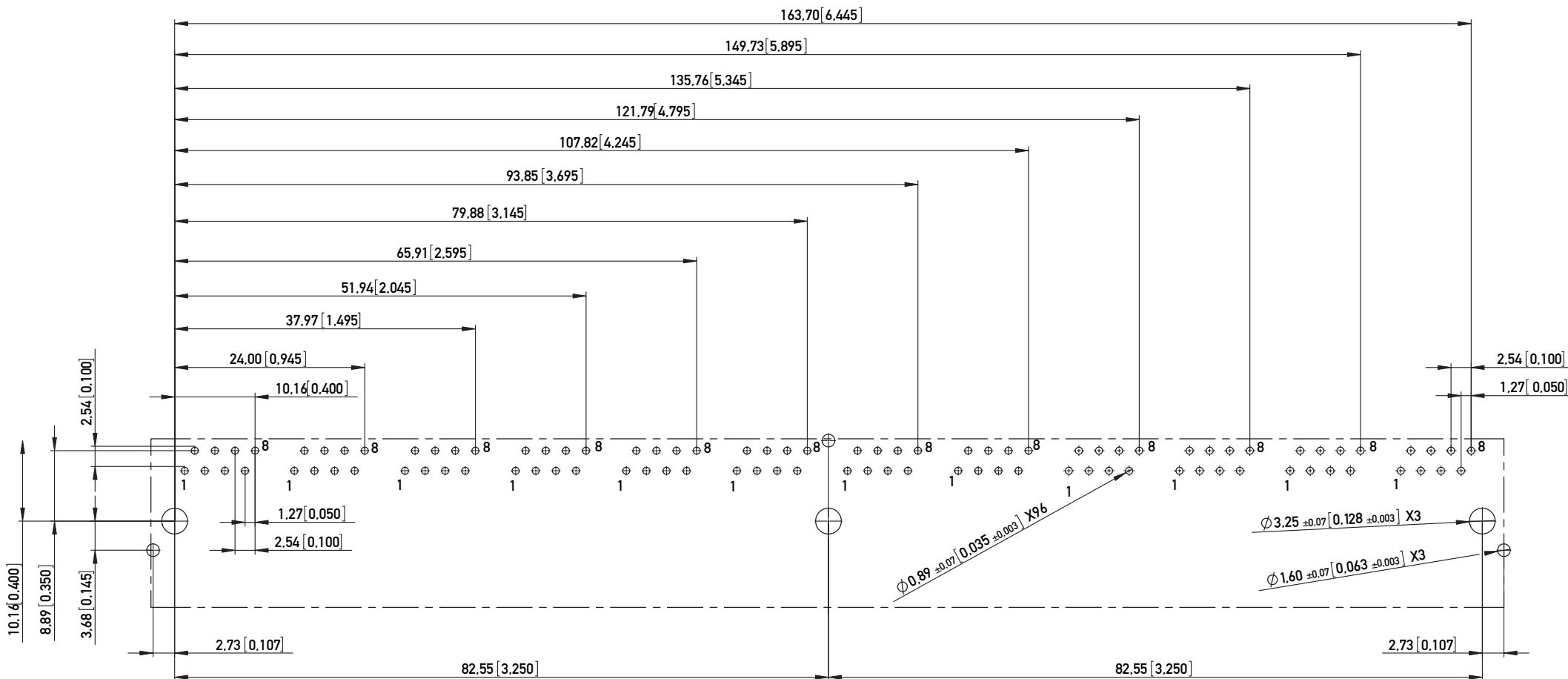
Electrical properties	Standard applic.	Value
Creepage / clearance distances		
a) Contact - contact	IEC 807-3	0.52 mm
b) Contact - shell	IEC 807-3	min. 1.0 mm
Voltage proof (Dielectric Withstand Voltage)		
a) Contact - contact	IEC 512-2, 4a	min. 1.000 V AC/DC
b) Contact - shell/testpanel	IEC 512-2, 4a	min. 1.500 V AC/DC
Current carrying capacity	IEC 512-3, 5b	1.5 A @ 25° C
Contact resistance	IEC 512-2, 2a	max. 30 mOhm
Insulation resistance	IEC 512-2, 3a	min. 500 MOhm

Environmental properties	Value
Operation temperature	0 - 70° C

PART NO. IDENT. NR.	TRANSMISSION REQUIREMENT ÜBERTRAGUNGSANFORDERUNG	CONTACT FINISH OBERFLÄCHENBEHANDLUNG	
133786	CATEGORY 5	0.8µm Au [30µin], OVER Ni	
Information:		Tolerances	Scale 2:1
All rights reserved. Only for Information. To insure that this is the latest version of this drawing, please contact one of the ERNI companies before using.		 All Dimensions in mm(in)	Designation MOD JACK - MJR 8P8C, 1X12
A	25.07.2007		
Index	Date		
		Designation 133844	
		Class MJ	

Copyright by ERNI GmbH
Proprietary notice pursuant to ISO 14001 to be observed

RECOMMENDED PCB LAYOUT (COMPONENT SIDE VIEW)
 EMPFOHLENES LEITERPLATTEN-LAYOUT (BESTUECKUNGSSEITE)
 TOL. ±0.05 [0.002] UNLESS NOTED



Copyright by ERNI GmbH
 Proprietary notice pursuant to ISO 16016 to be observed

Information:		Tolerances	 All Dimensions in mm(in)	Scale 2:1
All rights reserved. Only for Information. To insure that this is the latest version of this drawing, please contact one of the ERNI companies before using.		Subject to modification without prior notice. Drawing will not be updated.		Designation
www.ERNI.com		MOD JACK - MJR 8P8C, 1X12		1 (2/2)
Index	Date	Class MJ		A3