

**PLEASE CHECK WWW.MOLEX.COM FOR LATEST PART INFORMATION**

**Part Number:** [0733300180](#)  
**Status:** **Active**  
**Overview:** Type F RF Connectors  
**Description:** 75 Ohms, F Right-Angle Printed Circuit Board Jack

**Documents:**

[Drawing \(PDF\)](#) [RoHS Certificate of Compliance \(PDF\)](#)

**General**

Product Family	RF/Coax Connectors
Series	73330
Overview	Type F RF Connectors
Product Name	F
Style	PCB
UPC	822350561440
Wire/Cable Type	N/A

**Physical**

Cable Attachment	N/A
Gender	Jack
Keying to Mating Part	None
Net Weight	14.030/g
Orientation	Right Angle
PCB Mounting	Through Hole
Packaging Type	Tray
Panel Mount	No
Panel Mount Method	Bulkhead

**Electrical**

Impedance	75#
-----------	-----

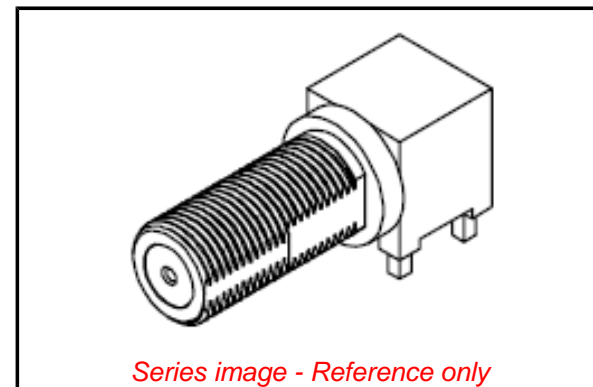
**Solder Process Data**

Duration at Max. Process Temperature (seconds)	010
Lead-free Process Capability	SMC&WAVE
Max. Cycles at Max. Process Temperature	002
Process Temperature max. C	260

**Material Info**

**Reference - Drawing Numbers**

Sales Drawing	SD-73330-018
---------------	--------------



*Series image - Reference only*

**EU ELV**

**Not Relevant**

**EU RoHS**

**Compliant with Exemption 6(c)**

**REACH SVHC**

Not Contained Per -ED/79/2015 (17 December 2015)

**Halogen-Free**

**Status**

**Low-Halogen**

**Need more information on product environmental compliance?**

Email [productcompliance@molex.com](mailto:productcompliance@molex.com)  
Please visit the [Contact Us](#) section for any non-product compliance questions.

China ROHS

50 Image

ELV

Not Relevant

**Search Parts in this Series**

[73330 Series](#)

**PLEASE CHECK WWW.MOLEX.COM FOR LATEST PART INFORMATION**