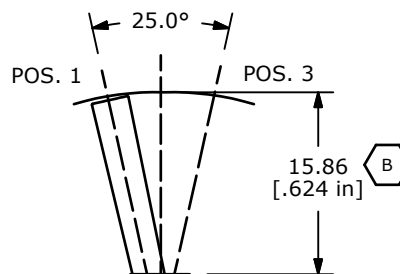
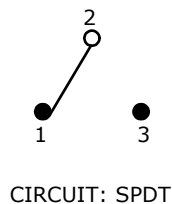
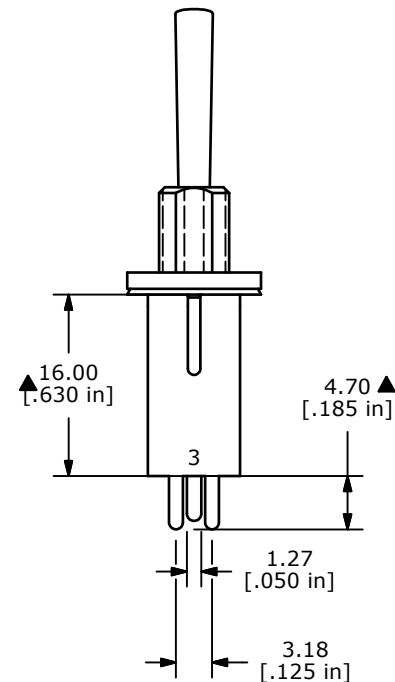
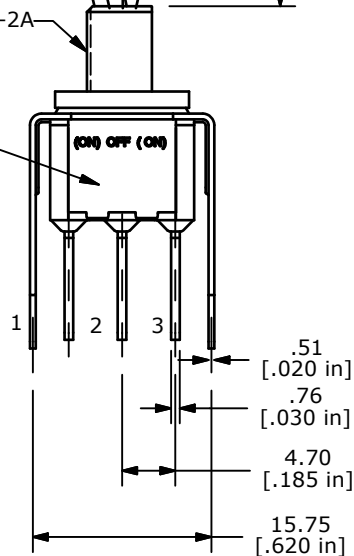


SWITCH FUNCTION		
POS. 1	POS. 2	POS. 3
"ON"	OFF	"ON"
2-3	OPEN	2-1



1/4-40 UNS-2A

E-SWITCH MARKING ON OTHER SIDE



NOTE:

1. ALL DIMENSIONS IN MM [INCH]
2. GENERAL TOLERANCE: X.X=±0.4  
X.XX=±0.25
3. TERMINAL NUMBERS FOR REF ONLY
- ▲ 4. PLATING MATERIAL: GOLD
5. RATING: 0.4 (VA) Max. @20V Max. (AC or DC)
6. ELECTRIC LIFE: 40,000 MAKE-AND-BREAK CYCLES AT FULL LOAD.
7. INSULATION RESISTANCE: 1,000 MEGA-OHM MIN.
8. DIELECTRIC STRENGTH: 1,000 V RMS @SEA LEVEL.
9. OPERATING TEMP.: -30°C to 85°C
10. ▲ DENOTES CRITICAL PARAMETER.
11. 2002/95/EC (ROHS) COMPLIANT



B	20076	UPDATE ACTUATOR HEIGHT	08/02/11	BMA
A	20058	NEW PART RELEASE	07/12/11	BMA
REV	PCR NO	DESCRIPTION	DATE	BY

TITLE 100SP4T4B9VS3RE				
SCALE	DATE	DR	DWG	REV
1.5:1	7/12/2011	BMA	T114015	B

THE INFORMATION CONTAINED IN THIS DOCUMENT IS PROPRIETARY TO E-SWITCH AND IS NOT TO BE COPIED OR TRANSFERRED