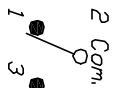


RECOMMENDED PCB LAYOUT

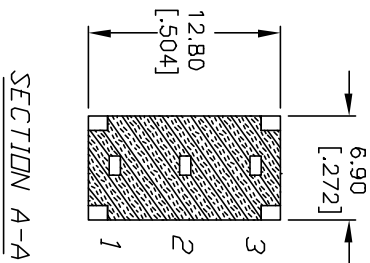


SPDT CIRCUIT CONTACT CONFIGURATION

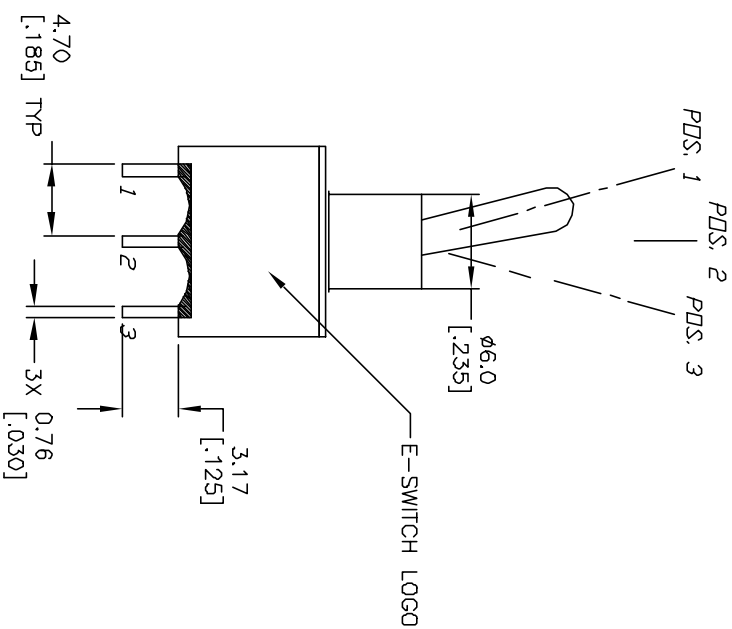
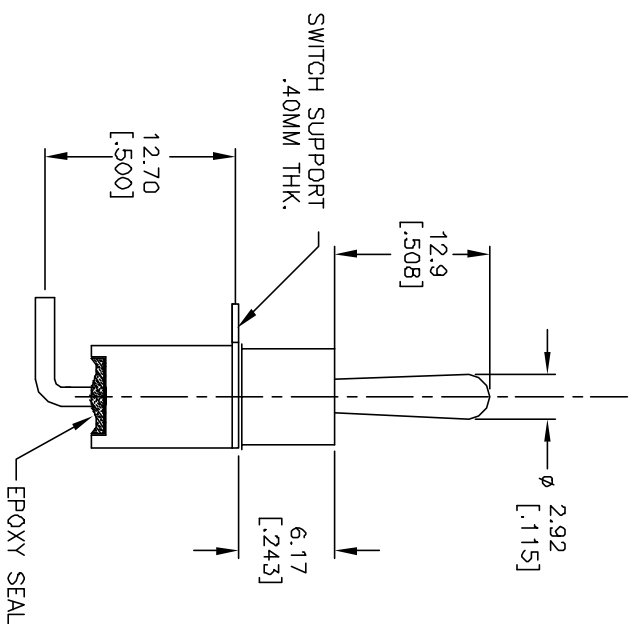
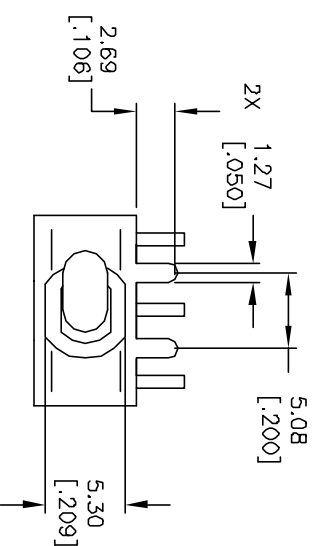
SWITCH FUNCTION		
PDS: 1	PDS: 2	PDS: 3
DN	NONE	DN
2-3	OPEN	2-1

NOTES:

1. ALL DIMENSIONS IN MM [INCH]
2. GENERAL TOLERANCE: X.XX=±0.4 X.XX=±0.25
3. TERMINAL NUMBERS FOR REF ONLY
4. RATING: 5A @120V AC or 28V DC 2A @250V AC
5. FIXED TERM. & MOVING CONTACT: COPPER ALLOY w/Silver plate.
6. ELECTRIC LIFE: 40,000 make-and-break cycles at full load.
7. INSULATION RESISTANCE: 1,000 Mega-ohm min.
8. DIELECTRIC STRENGTH: 1,000 V RMS @sea level.
9. OPERATING TEMP.: -30°C to 85°C



SECTION A-A



E-SWITCH®

REV.	ECN NO.	DESCRIPTION	DATE	CHKD
A	11727	RELEASED FOR PRODUCTION	10/10/01	CJC

TITLE	SCALE	DATE	DR	DWG	REV
100A WSP-1 T1 B4 M6 Q E	2:1	10/10/01	CJC	T101028	A

THE INFORMATION CONTAINED IN THIS DOCUMENT IS PROPRIETARY TO E-SWITCH AND IS NOT TO BE COPIED OR TRANSMITTED