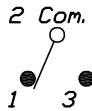


RECOMMENDED PCB LAYOUT



SPDT CIRCUIT CONTACT CONFIGURATION

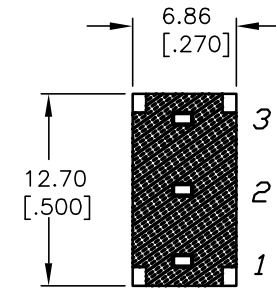
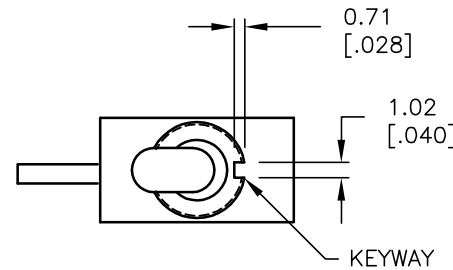
SWITCH FUNCTION		
POS. 1	POS. 2	POS. 3
ON	NONE	ON
2-3	OPEN	2-1

NOTES:

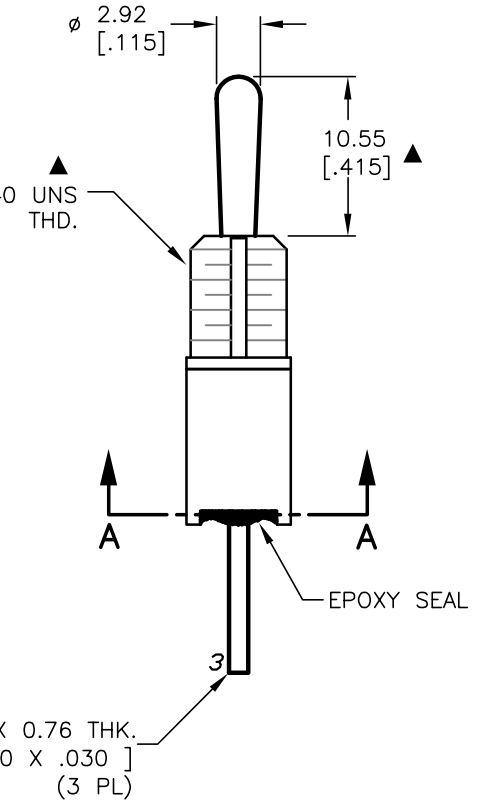
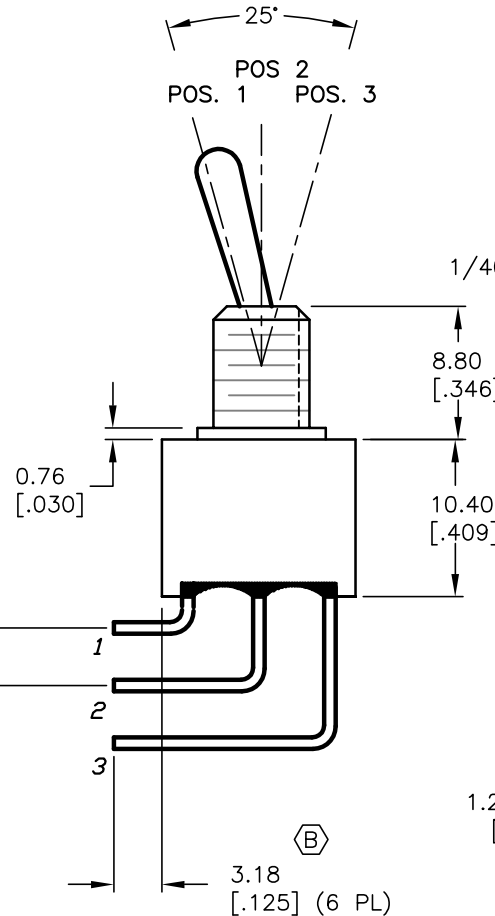
1. ALL DIMENSIONS IN MM [INCH]
2. GENERAL TOLERANCE: X.X=±0.4
X.XX=±0.25
3. TERMINAL NUMBERS FOR REF ONLY
- ▲ 4. RATING: 5A @120V AC or 28V DC
2A @250V AC
5. FIXED TERM. & MOVING CONTACT: COPPER ALLOY w/Silver plate.
6. ELECTRIC LIFE: 40,000 make-and-break cycles at full load.
7. INSULATION RESISTANCE: 1,000 Mega-ohm min.
8. DIELECTRIC STRENGTH: 1,000 V RMS @sea level.
9. OPERATING TEMP.: -30°C to 85°C
10. ▲ DENOTES CRITICAL PARAMETER.

REV.	ECN No.	DESCRIPTION	DATE	CHKD
B	14181	3.18 WAS 4.50	7/21/04	AR
A	13802	RELEASED FOR PRODUCTION	2/25/04	AR

THE INFORMATION CONTAINED IN THIS DOCUMENT IS PROPRIETARY TO E-SWITCH AND IS NOT TO BE COPIED OR TRANSFERRED



SECTION A-A



E-SWITCH®

TITLE				
100AWSP1T1B1M7QE				
SCALE	DATE	DR	DWG	REV
2:1	2/25/04	AR	T101008	B