

6

5

4

3

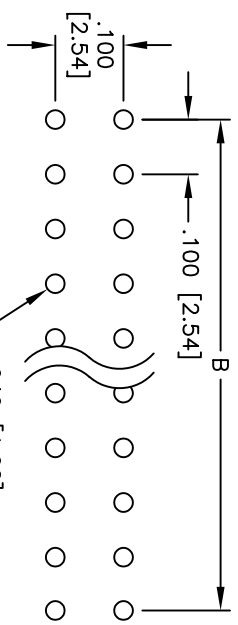
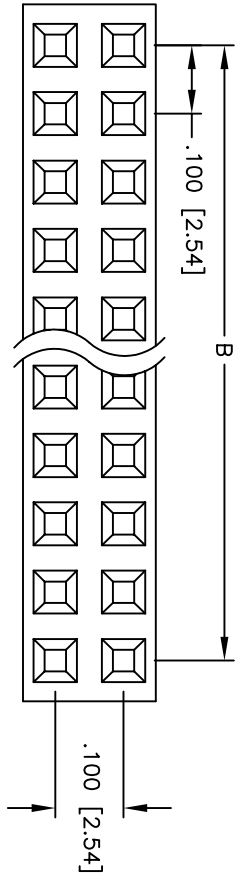
2

1

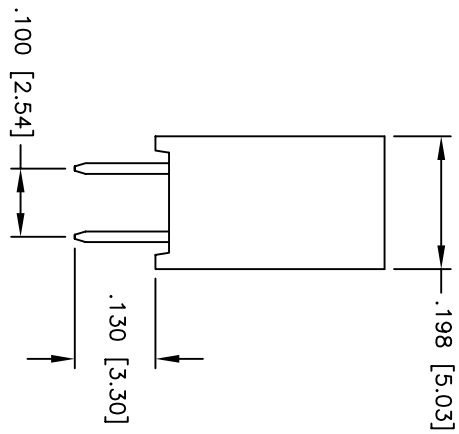
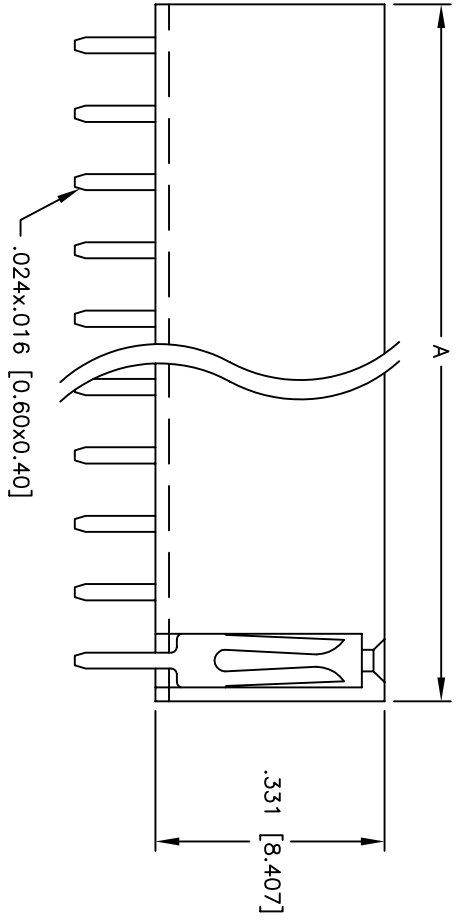
Rev	AWO #	Description	Date	Appr
-		RELEASED	5/31/05	

APPROVED: _____

DATE: _____ TITLE: _____



RECOMMENDED
PCB LAYOUT



SPECIFICATIONS:

- Material: PBT, glass reinforced, rated UL 94V-0
- Insulator color: Black
- Contacts: Brass
- Plating: Gold flash over Nickel underplate overall
- Electrical:
 - Operating voltage: 250 VAC max.
 - Current rating: 3 Amps max.
 - Contact resistance: 20 mohms max. initial
 - Insulation resistance: 5,000 Mohms min.
 - Dielectric withstanding voltage: 1,000 VAC for 1 minute
- Temperature Rating:
 - Operating temperature: -40°C to +105°C
- Environmental:
 - Lead free, RoHS compliant
- Recommended soldering temp: 235°C for 5 seconds

Positions: 02 thru 80

A = .100 [2.54] x No. of Positions per Row + .020 [0.50]

B = .100 [2.54] x No. of Spaces

ADAM TECH

909 Rahway Avenue, Union, NJ 07083
 Phone: 908-687-5000 Fax: 908-687-5710

TITLE: .100 x .100 DUAL ROW RECEPTACLE STRIP
 .335 [8.50] HEIGHT

UNLESS OTHERWISE SPECIFIED ALL DIMENSIONS ARE INCHES [MM]		TOLERANCES: EXCEPT AS NOTED	
INCHES		HOLDS	
.X	± .10	ØX	± .10
.XX	± .020	ØXXX	± .015
.XXX	± .015	ØXXXX	± .010
APPROVALS		DATE	
DRAWN	SS	5/31/05	
CHECKED			
APPROVED			
SIZE	PART NO.	SCALE	REV.
X	RS2-XX-G	NTS	
REF:		SHEET	1 OF 1

6

5

4

3

2

1