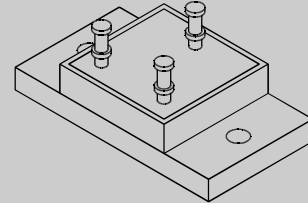


# 200 V - 1,000 V Negative Center Tap

20.0 A - 25.0 A Forward Current

70 ns - 3000 ns Recovery Time

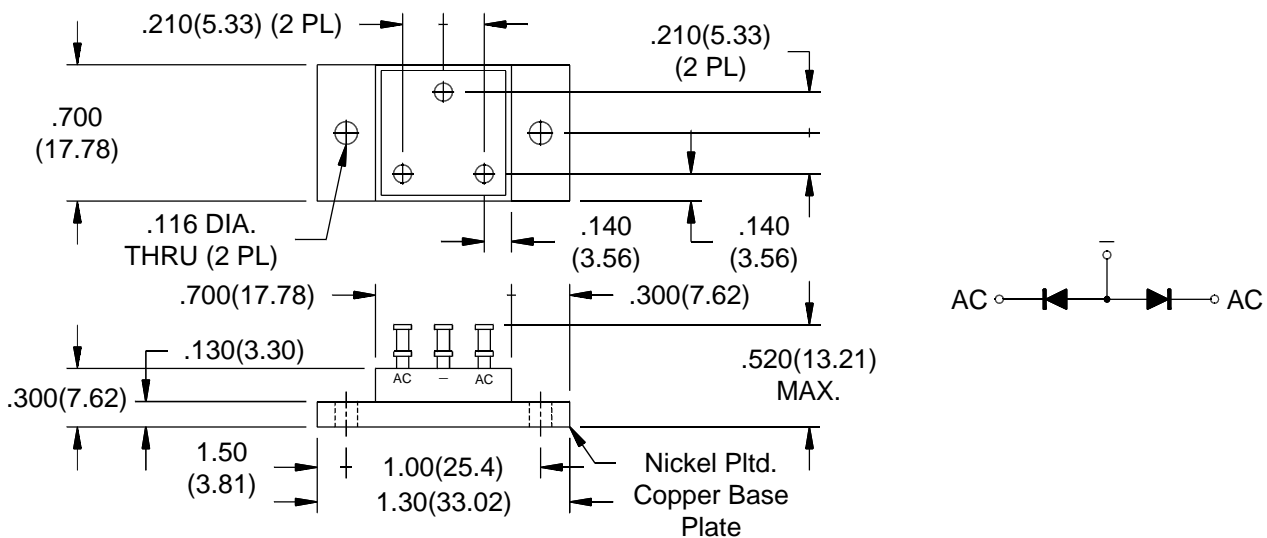
**LTI202TN - LTI210TN**  
**LTI202FTN - LTI210FTN**  
**LTI202UFTN-LTI210UFTN**



## ELECTRICAL CHARACTERISTICS AND MAXIMUM RATINGS

Part Number	Working Reverse Voltage (V <sub>rw</sub> )	Average Rectified Current @TC (I <sub>o</sub> )		Reverse Current @ V <sub>rw</sub> (I <sub>r</sub> )		Forward Voltage (V <sub>f</sub> )		1 Cycle Surge Current tp=8.3ms (I <sub>fsm</sub> )	Repetitive Surge Current (I <sub>frm</sub> )	Reverse Recovery Time (1) (T <sub>rr</sub> )	Thermal Impd. θ <sub>J-C</sub>
		55°C	100°C	25°C	100°C	25°C		25°C	25°C	25°C	
		Amps	Amps	µA	µA	Volts	Amps	Amps	Amps	ns	°C/W
LTI202TN LTI206TN LTI210TN	200 600 1000	25.0 25.0 25.0	18.0 18.0 18.0	2.0 2.0 2.0	50 50 50	1.3 1.3 1.3	6.0 6.0 6.0	80 80 80	20 20 20	3000 3000 3000	1.5 1.5 1.5
LTI202FTN LTI206FTN LTI210FTN	200 600 1000	20.0 20.0 20.0	15.0 15.0 15.0	2.0 2.0 2.0	50 50 50	1.7 1.7 1.7	6.0 6.0 6.0	80 80 80	20 20 20	150 150 150	1.5 1.5 1.5
LTI202UFTN LTI206UFTN LTI210UFTN	200 600 1000	20.0 20.0 20.0	15.0 15.0 15.0	2.0 2.0 2.0	50 50 50	1.7 1.7 1.7	6.0 6.0 6.0	80 80 80	20 20 20	70 70 70	1.5 1.5 1.5

(1)T<sub>rr</sub> Testing: I<sub>f</sub>=0.5A, I<sub>r</sub>=1.0A, I<sub>rr</sub>=0.25A \*Op. Temp. & Stg. Temp. = -55°C to +150°C Isolation Voltage: 2000V



Dimensions: In. (mm) • All temperatures are ambient unless otherwise noted. • Data subject to change without notice.



**VOLTAGE MULTIPLIERS INC.**  
 8711 W. Roosevelt Ave.  
 Visalia, CA 93291

TEL 559-651-1402  
 FAX 559-651-0740  
 www.voltagemultipliers.com

**LTI202TN - LTI210TN • LTI202FTN - LTI210FTN • LTI202UFTN - LTI210UFTN**

