

CM1773-5006YL



ON Semiconductor®

<http://onsemi.com>

Product Preview

1-Channel ESD Protector

Product Description

The CM1773-5006YL provides robust ESD protection for sensitive parts that may be subjected to electrostatic discharge (ESD). The tiny form factor means it can be used in very confined spaces. The electrical back-to-back diodes configuration provides ESD protection in cases where nodes with AC signals are present. This device is designed and characterized to safely dissipate ESD strikes of at least 5 kV, according to the MIL-STD-883 (Method 3015) specification for Human Body Model (HBM) ESD.

Features

- Compact Die Protects from ESD Discharges
- Almost No Conduction at Signal Amplitudes Less Than 180 V
- ESD Protection Over 5 kV Contact Discharge per MIL-STD-883 International ESD Standard

Applications

- LED Lighting
- Modules
- Interface Circuits

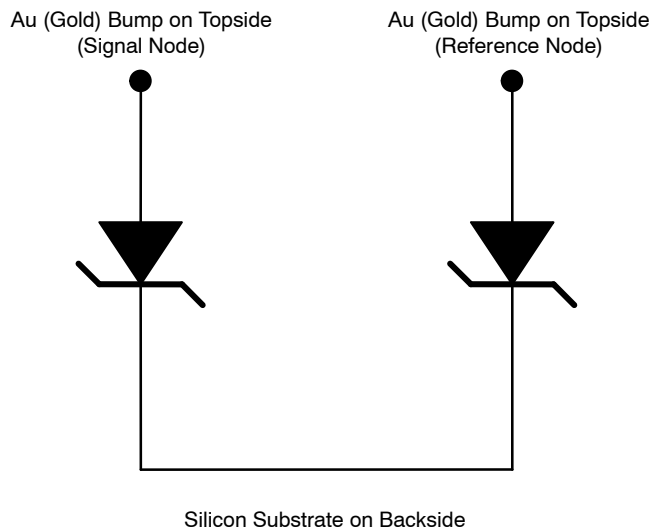


Figure 1. Electrical Schematic

ORDERING INFORMATION

Ordering Part Number	Topside Metal	Back Metal	BG Thickness	Inking?	Shipping Method
CM1773-5006YL	Gold (Au)	None (Silicon Substrate)	6 mils	No	Metal Ring

This document contains information on a product under development. ON Semiconductor reserves the right to change or discontinue this product without notice.

MAXIMUM RATINGS / OPERATING CONDITIONS

Parameter	Rating	Unit
Operating Temperature Range	-40 to +150	°C
Storage Temperature Range	-55 to +150	°C

Stresses exceeding Maximum Ratings may damage the device. Maximum Ratings are stress ratings only. Functional operation above the Recommended Operating Conditions is not implied. Extended exposure to stresses above the Recommended Operating Conditions may affect device reliability.

ELECTRICAL OPERATING CHARACTERISTICS

Symbol	Parameter	Test Conditions	Min	Typ	Max	Unit
I_{LEAK}	Leakage Current	$V = +180\text{ V}, T_A = 25^\circ\text{C}$ $V = -180\text{ V}, T_A = 25^\circ\text{C}$			+1.0 -1.0	μA
V_{BD}	Breakdown Voltage on Signal Node	$T_A = 25^\circ\text{C};$ at $100\ \mu\text{A}$ at $-100\ \mu\text{A}$	+200 -280	+240 -240	+280 -200	V V
V_{ESD}	ESD Protection – Withstand Voltage Human Body Model MIL–STD–883 (Method 3015)	(Note 1)	5.0			kV

1. Per the standard, 3 positive and 3 negative strikes are applied, one second apart.

MECHANICAL DETAILS

MECHANICAL SPECIFICATIONS (Note 2)

Parameter	Condition	Unit
Composition	Silicon wafer, N+ doped	
Die Shape	Rectangular	
Die Length	480 ± 10	μm
Die Width	440 ± 10	μm
Thickness	6.0 ± 0.5	mils
Top Pad Length (a)	328 ± 5.0	μm
Top Pad Width (b)	100 ± 5.0	μm
Top Pad Spacing (d)	105 ± 5.0	μm
Top Pad Composition	Au (Gold)	
Top Pad Thickness	3 ± 1.5	μm
Back Metal (backside)	None (Silicon Substrate)	

2. Dimensions are typical values if tolerances are not specified.

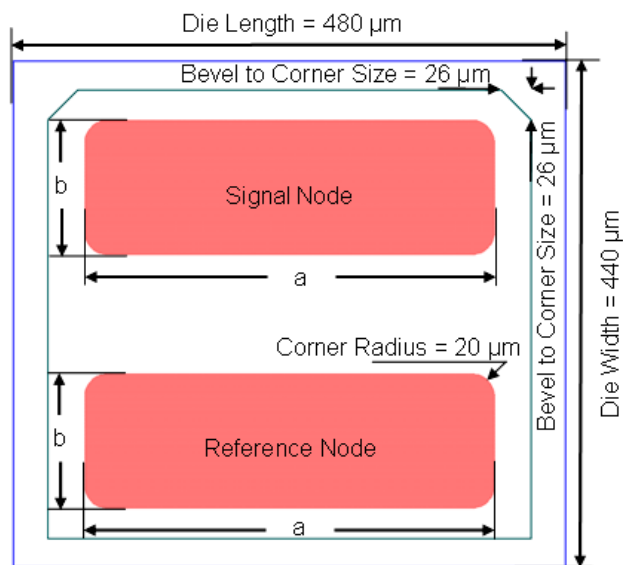



Figure 2. Sawn Die Diagram

ON Semiconductor and  are registered trademarks of Semiconductor Components Industries, LLC (SCILLC). SCILLC reserves the right to make changes without further notice to any products herein. SCILLC makes no warranty, representation or guarantee regarding the suitability of its products for any particular purpose, nor does SCILLC assume any liability arising out of the application or use of any product or circuit, and specifically disclaims any and all liability, including without limitation special, consequential or incidental damages. "Typical" parameters which may be provided in SCILLC data sheets and/or specifications can and do vary in different applications and actual performance may vary over time. All operating parameters, including "Typicals" must be validated for each customer application by customer's technical experts. SCILLC does not convey any license under its patent rights nor the rights of others. SCILLC products are not designed, intended, or authorized for use as components in systems intended for surgical implant into the body, or other applications intended to support or sustain life, or for any other application in which the failure of the SCILLC product could create a situation where personal injury or death may occur. Should Buyer purchase or use SCILLC products for any such unintended or unauthorized application, Buyer shall indemnify and hold SCILLC and its officers, employees, subsidiaries, affiliates, and distributors harmless against all claims, costs, damages, and expenses, and reasonable attorney fees arising out of, directly or indirectly, any claim of personal injury or death associated with such unintended or unauthorized use, even if such claim alleges that SCILLC was negligent regarding the design or manufacture of the part. SCILLC is an Equal Opportunity/Affirmative Action Employer. This literature is subject to all applicable copyright laws and is not for resale in any manner.

PUBLICATION ORDERING INFORMATION

LITERATURE FULFILLMENT:

Literature Distribution Center for ON Semiconductor
P.O. Box 5163, Denver, Colorado 80217 USA
Phone: 303-675-2175 or 800-344-3860 Toll Free USA/Canada
Fax: 303-675-2176 or 800-344-3867 Toll Free USA/Canada
Email: orderlit@onsemi.com

N. American Technical Support: 800-282-9855 Toll Free
USA/Canada
Europe, Middle East and Africa Technical Support:
Phone: 421 33 790 2910
Japan Customer Focus Center
Phone: 81-3-5817-1050

ON Semiconductor Website: www.onsemi.com
Order Literature: <http://www.onsemi.com/orderlit>
For additional information, please contact your local
Sales Representative