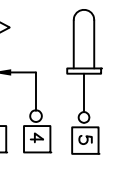
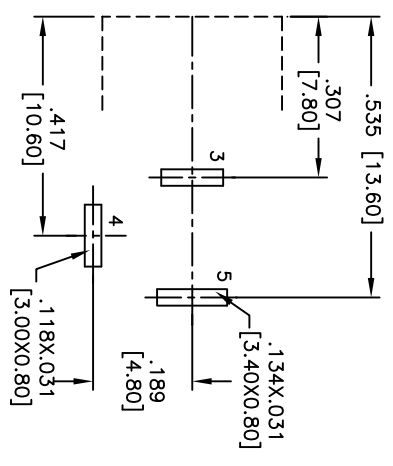
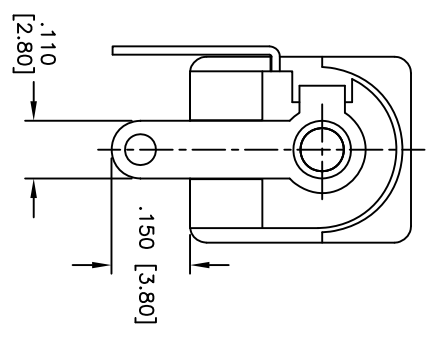
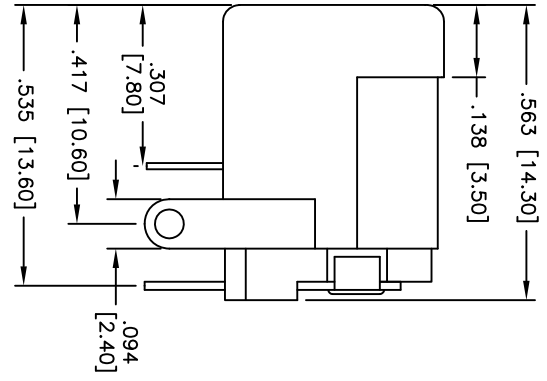
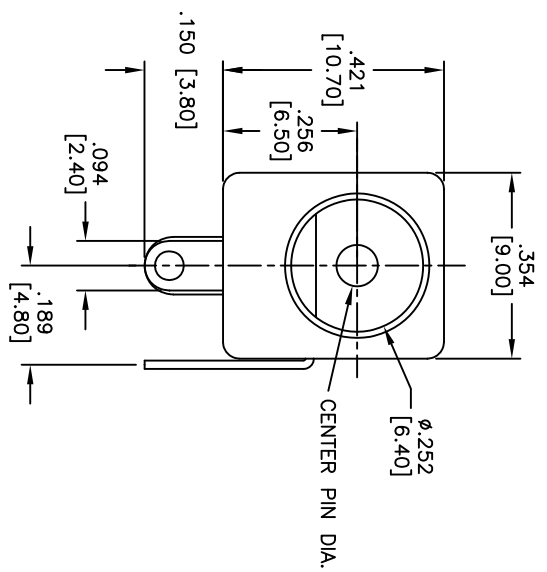


APPROVED: _____
 DATE: _____ TITLE: _____

Rev	AWO #	Description	Date	Appr
-		RELEASED	6/03/09	
A		REDRAWN	4/27/11	



PART NO.	CENTER PIN DIA.
ADC-002A-1-HT	Ø.079 [2.00]
ADC-002A-2-HT	Ø.098 [2.50]

RECOMMENDED PCB LAYOUT
 (TOP VIEW)

SPECIFICATIONS:

Material: Nylon 9T, rated UL 94V-0
 Insulator color: Black
 Contacts: Copper Alloy, Tin plated
 Center Pin: Brass, Nickel plated
 Electrical:
 Operating voltage: DC 30V max.
 Current rating: 1 Amps
 Contact resistance: 30 mohms max.
 Insulation resistance: 100 Mohms min.
 Dielectric withstanding voltage: 500 VAC for 1 minute
 Temperature Rating:
 Operating temperature: -20°C to +70°C



Environmental:
 Lead free, RoHS compliant
 Recommended soldering temp: 260°C for 5 sec.

UNLESS OTHERWISE SPECIFIED ALL DIMENSIONS ARE INCHES [MM]	
TOLERANCES: EXCEPT AS NOTED	
INCHES	
.X ± .10	ØX ± .10
.XX ± .020	ØXX ± .015
.XXX ± .015	ØXXX ± .010
APPROVALS	DATE
DRAWN	DY
CHECKED	
APPROVED	

ADAM TECH
 909 Rahway Avenue, Union, NJ 07083
 Phone: 908-687-5000 Fax: 908-687-5710

TITLE		PART NO.		REV.
DC POWER JACK, 2.00mm, 2.50mm, CENTER PIN		ADC-002A-X-HT		A
SIZE	PART NO.	SCALE	SHEET	1 OF 1
X		NTS	1	
REF:	S00002C			