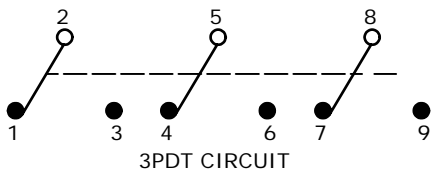
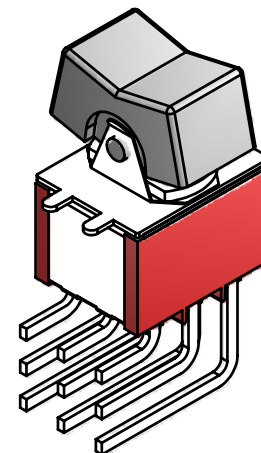
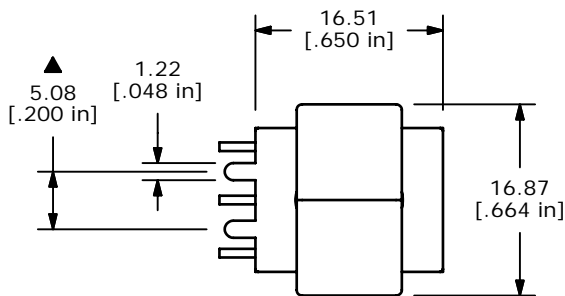


P.C. MOUNTING

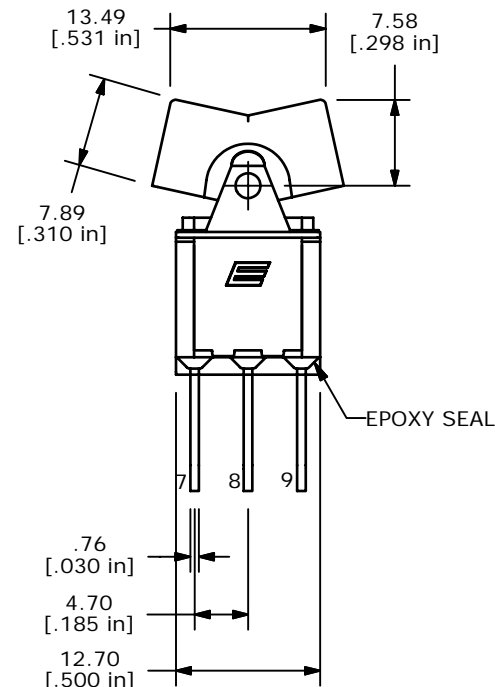
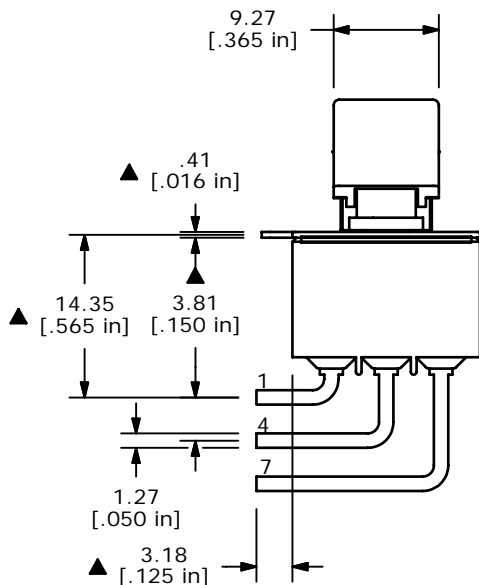
SWITCH FUNCTION		
POS. 1	POS. 2	POS. 3
ON	NONE	ON
2-3, 5-6, 8-9	OPEN	2-1, 5-4, 8-7



- NOTE:
- ALL DIMENSIONS IN MM [INCH]
 - GENERAL TOLERANCE: X.X=±0.4
X.XX=±0.25
 - TERMINAL NUMBERS FOR REF ONLY
 - ▲ PLATING MATERIAL: SILVER
 - RATING: 2 AMPS @250VAC
5 AMPS @120VAC OR 28VDC
 - ELECTRIC LIFE: 40,000 MAKE-AND-BREAK CYCLES AT FULL LOAD.
 - INSULATION RESISTANCE: 1,000 MEGA-OHM MIN.
 - CONTACT RESISTANCE: 100mΩ
 - DIELECTRIC STRENGTH: 1,000 V RMS @SEA LEVEL.
 - OPERATING TEMP.: -30°C to 85°C
 - ▲ DENOTES CRITICAL PARAMETER.
 - 2002/95/EC (ROHS) COMPLIANT
 - PACKAGE: TRAY/54 PER



ISOMETRIC



E-SWITCH®

B	16939	TOOK OUT E SWITCH LOGO NOTE	1/30/07	TN
A	16873	RELEASED FOR PRODUCTION	1/17/2007	TN
REV	PCR NO	DESCRIPTION	DATE	BY

TITLE 3003P1J1BLKM6QE				
SCALE	DATE	DR	DWG	REV
1.5	1/30/2007	TN	T331031	B

THE INFORMATION CONTAINED IN THIS DOCUMENT IS PROPRIETARY TO E-SWITCH AND IS NOT TO BE COPIED OR TRANSFERRED