

ELECTRICAL CHARACTERISTICS

REV	DOCUMENT	CHANGED BY	CHECK
5	0001060	KED 07AUG03	SAV

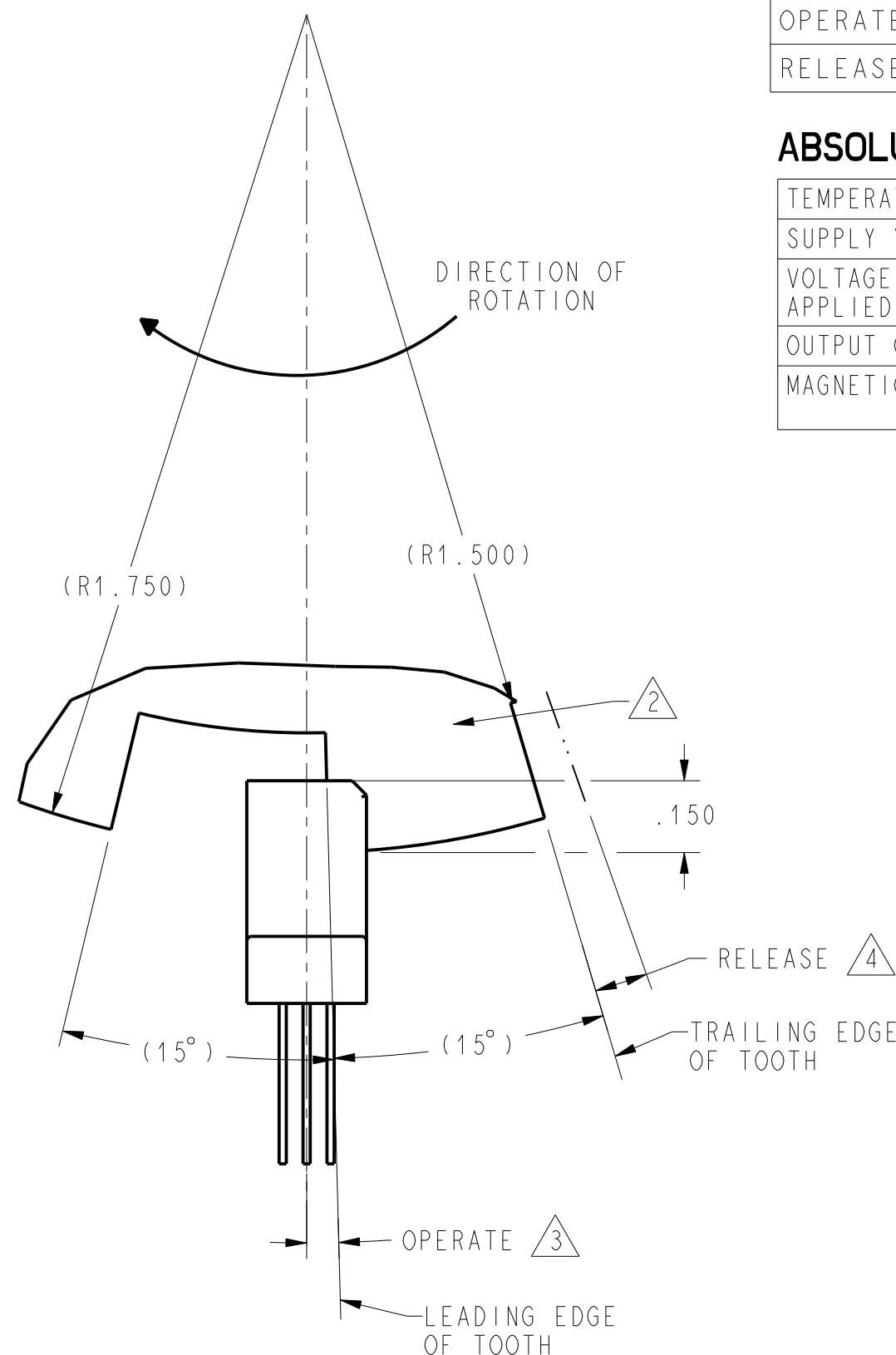
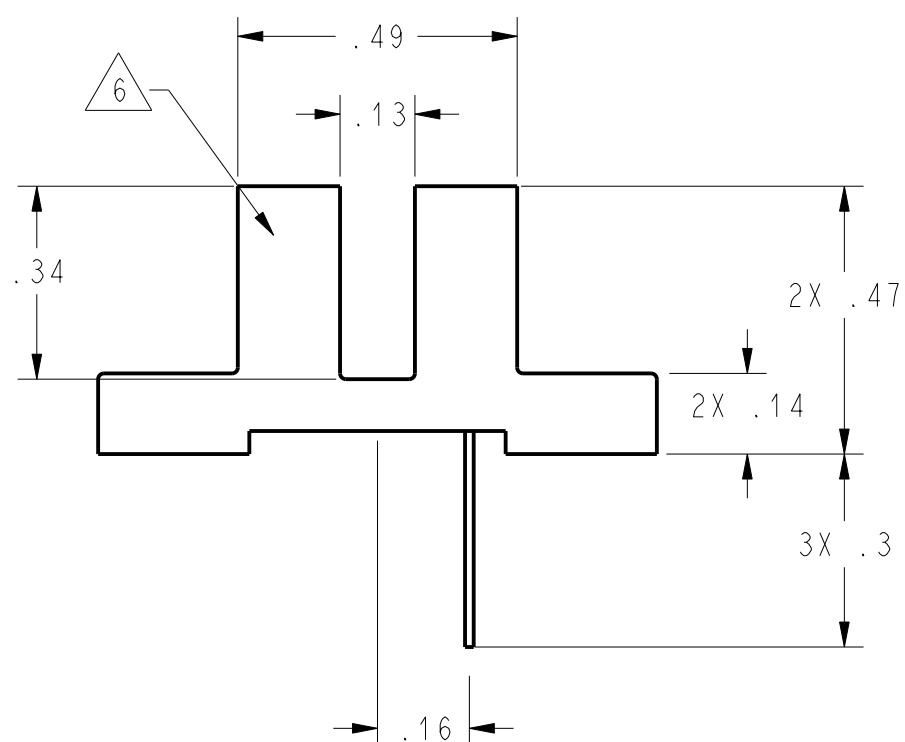
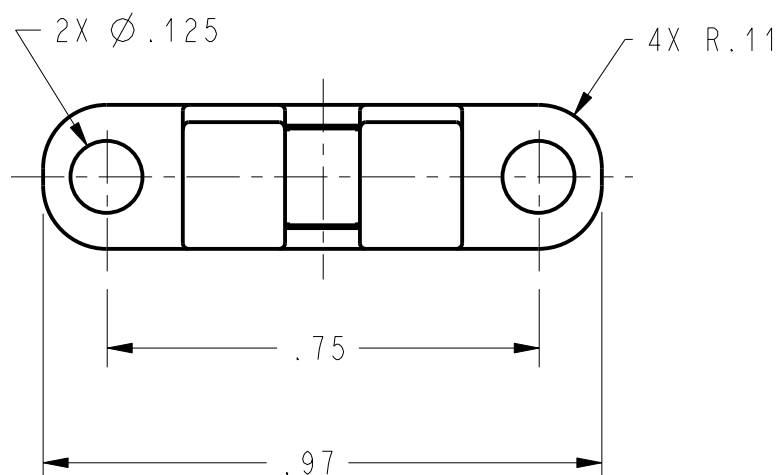
	CONDITION	
SPECIFIED VOLTAGE RANGE		3.8 TO 30 VDC
MAX I _{off}	V _{cc} =30V, I _{sink} =20mA, -20°C<T<85°C, B>MAX OP	9.0 mA
MAX I _{on}	V _{cc} =30V, I _{sink} =20mA, -20°C<T<85°C, B>MAX OP	10.0 mA
RATED SINK CURRENT		20 mA
MAX V _{sat}	V _{cc} =3.8V, I _{sink} =20mA, B>MAX OP	0.4 V
MAX LEAKAGE CURRENT	V _{out} =30V, V _{cc} =24V, B<MIN REL	10 μA
RISE TIME 10% TO 90%	T=25°C, V _{cc} =12V, R2=1.6 KΩ, C2=20pf	1.5 μS
FALL TIME 90% TO 10%	T=25°C, V _{cc} =12V, R2=1.6 KΩ, C2=20pf	1.5 μS

OPERATING SPECIFICATION $\triangle 2$ $\triangle 5$

	LIMIT	CONDITIONS
OPERATE $\triangle 3$	1.5°±2.0°	TARGET ENGAGEMENT .150 TO .300 RPM 0 TO 5000
RELEASE $\triangle 4$	3.0°±2.5°	SLOT DEPTH .250 MIN

ABSOLUTE MAXIMUM RATINGS

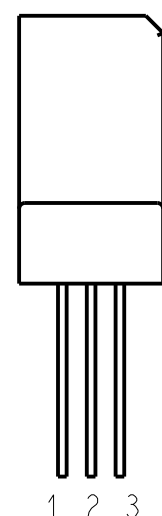
TEMPERATURE	-20°C TO +85°C
SUPPLY VOLTAGE (V _s)	3.8 VDC TO 30 VDC
VOLTAGE EXTERNALLY APPLIED TO OUTPUT	-0.5 TO +30 VDC
OUTPUT CURRENT	50 mA
MAGNETIC FLUX	NO LIMIT, CIRCUIT CANNOT BE DAMAGED BY MAGNETIC OVERDRIVE



NOTES

- 1 - MOUNTING SPECIFICATION: NON-FERROUS #4 MACHINE HEAD SCREWS WITH .25 OD WASHERS TORQUED TO 3-5 INCH LBS.
- 2 SUGGESTED TARGET CONFIGURATION, MATERIAL: .045 LOW CARBON STEEL, HIGH PERMEABILITY, LOW RESIDUAL INDUCTION
- 3 OPERATE (DEGREES) IS THE ANGULAR DISTANCE FROM THE LEADING EDGE OF THE TOOTH TO THE CENTERLINE OF THE SENSOR
- 4 RELEASE (DEGREES) IS THE ANGULAR DISTANCE FROM THE TRAILING EDGE OF THE TOOTH TO THE CENTERLINE OF THE SENSOR
- 5 OPERATING SPECIFICATION IS BASED ON TARGET SHOWN AND WILL VARY WITH TARGET GEOMETRY
- 6 HONEYWELL PART NUMBER AND DATE CODE, ANY SURFACE

DEVICE PIN-OUT
 1 OUTPUT (0)
 2 GROUND (-)
 3 V_{supply} (+)



UNLESS OTHERWISE SPECIFIED TOLERANCES ARE:	*** US (inch) CUSTOMARY ***	*** SI (mm) METRIC ***	DRAWN	SAV	21DEC99	Honeywell
NO PLACE	X	±.040 ±1	CHECK	SAV	21DEC99	
ONE PLACE	.X	±.030 ±0,4	THIS DRAWING COVERS A PROPRIETARY ITEM AND IS THE PROPERTY OF HONEYWELL. THIS DRAWING IS NOT TO BE COPIED OR USED WITHOUT THE PERMISSION OF HONEYWELL.			TITLE
TWO PLACE	.XX	±.015 ±0,15				VANE SENSOR -(MAGNETIC)
THREE PLACE	.XXX	±.005 ±	DIMENSIONS ARE TO BE MET BEFORE PROTECTIVE COATINGS ARE APPLIED			SIZE
ANGLES		±				C I
RAW MATERIAL-COMMERCIAL STANDARD			3D PTC			DRAWING NAME
THIRD ANGLE PROJECTION			ASME Y14.5M-1994			REV
			SCALE 3 : 1			WEIGHT
			SHEET 1 OF 1			