

**Thickness: 6 mm, Can be stacked side-by-side
for Multi-collector Mass Spectrometry**

SPECIFICATIONS

GENERAL

Parameter	Description / Value	Unit
Input Aperture Diameter	8 × 1	mm
Dynode Structure	Linear focused	—
Number of Dynode Stages	18	—
First Dynode Material	Cu-BeO	—
Total Built-in Resistance	21	MΩ
Operating Ambient Temperature	-30 to +50	°C
Storage Temperature	-80 to +50	°C
Polarity of Detected Ions	Positive	—

MAXIMUM RATINGS

Parameter	Value	Unit
Anode to First Dynode Voltage	-2500	V
Anode to Last Dynode Voltage	350	V
Operating Vacuum Level	1 × 10 ⁻²	Pa
Bake-Out Temperature (at 5 × 10 ⁻³ Pa)	350	°C
Average Anode Current ^(A)	10	μA
Operating Gain	1 × 10 ⁸	—

CHARACTERISTICS

Parameter	Value	Unit
Recommended Supply Voltage	-1800	V
Gain (Typ.)	1 × 10 ⁷	—
DC Linearity (Typ.)	5	μA
Dark Current (Max.)	1	pA
Rise Time (Typ.)	3.5	ns
Anode to All Other Electrode Capacitance	4.0	pF

NOTE: ^(A) Averaged over any interval of 30 seconds maximum.

Figure 2: Example of Measurement configuration

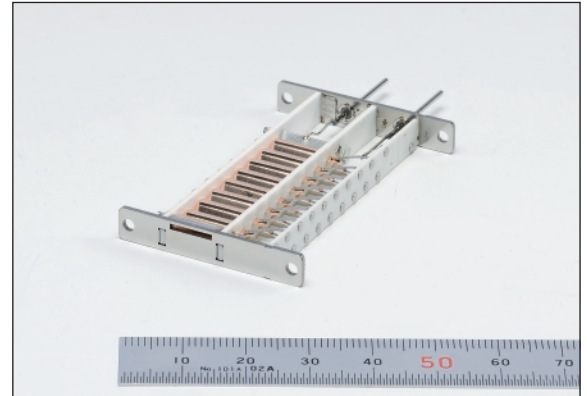
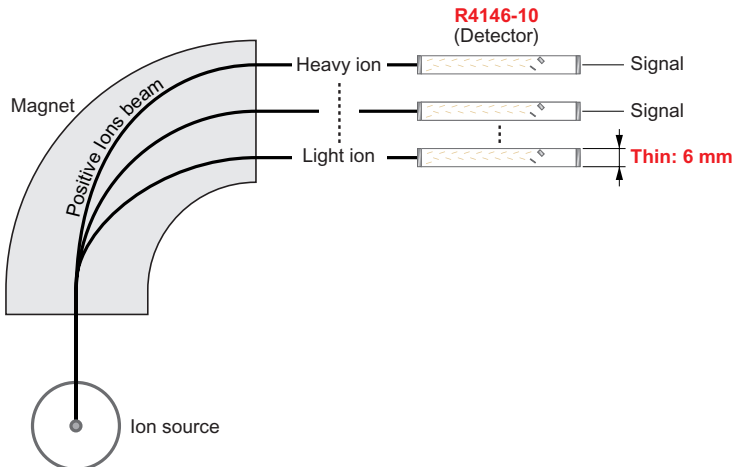
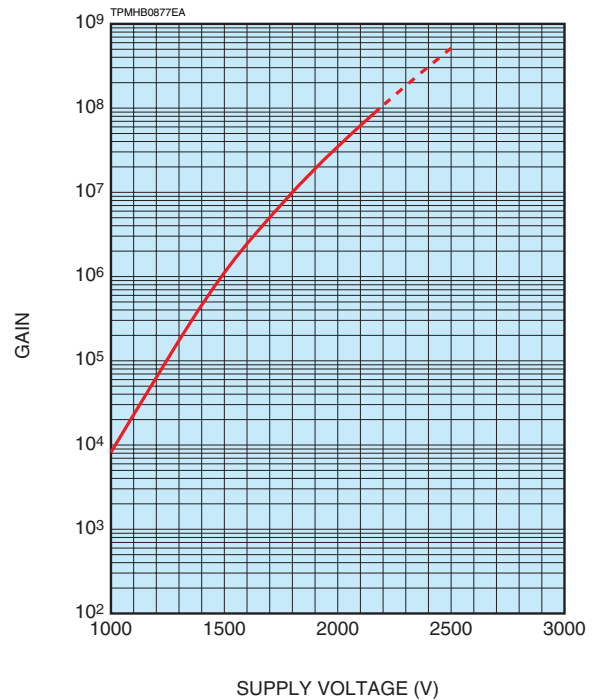
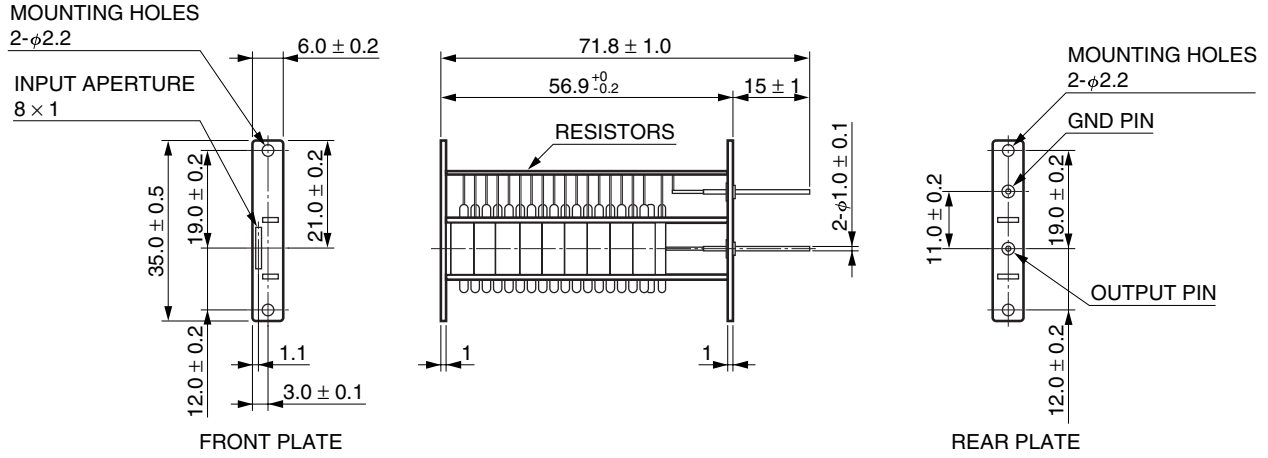


Figure 1: Typical Gain



ELECTRON MULTIPLIER R4146-10

Figure 3: Dimensional Outline (Unit: mm)



TPMHA0588EA

HAMAMATSU PHOTONICS K.K. www.hamamatsu.com

HAMAMATSU PHOTONICS K.K., Electron Tube Division

314-5, Shimokanzo, Iwata City, Shizuoka Pref., 438-0193, Japan, Telephone: (81)539/62-5248, Fax: (81)539/62-2205

U.S.A.: Hamamatsu Corporation: 360 Foothill Road, Bridgewater, N.J. 08807-0910, U.S.A., Telephone: (1)908-231-0960, Fax: (1)908-231-1218 E-mail: usa@hamamatsu.com

Germany: Hamamatsu Photonics Deutschland GmbH: Arzbergerstr. 10, D-82211 Herrsching am Ammersee, Germany, Telephone: (49)8152-375-0, Fax: (49)8152-2658 E-mail: info@hamamatsu.de

France: Hamamatsu Photonics France S.A.R.L.: 19, Rue du Saule Trapu, Parc du Moulin de Massy, 91882 Massy Cedex, France, Telephone: (33)1 69 53 71 00, Fax: (33)1 69 53 71 10 E-mail: infos@hamamatsu.fr

United Kingdom: Hamamatsu Photonics UK Limited: 2 Howard Court, 10 Tewin Road, Welwyn Garden City, Hertfordshire AL7 1BW, United Kingdom, Telephone: (44)1707-294888, Fax: (44)1707-325777 E-mail: info@hamamatsu.co.uk

North Europe: Hamamatsu Photonics Norden AB: Torshamnsgatan 35 SE-164 40 Kista, Sweden, Telephone: (46)8-509-031-00, Fax: (46)8-509-031-01 E-mail: info@hamamatsu.se

Italy: Hamamatsu Photonics Italia S.r.l.: Strada della Moia, 1 int. 6, 20020 Arese (Milano), Italy, Telephone: (39)02-93581733, Fax: (39)02-93581741 E-mail: info@hamamatsu.it

China: Hamamatsu Photonics (China) Co., Ltd.: B1201 Jiaming Center, No.27 Dongsanhuan Beilu, Chaoyang District, Beijing 100020, China, Telephone: (86)10-6586-6006, Fax: (86)10-6586-2866 E-mail: hpc@hamamatsu.com.cn

TPMH1338E02
AUG. 2014 IP