

25 Amp Miniature PCB Power Relay

PC354



FEATURES

- 25 Amp contact Capacity
- 70 Amp Inrush
- 5 kV Dielectric Strength Between Coil and Contacts
- .250 Quick Connect Terminals for Load
- 1.5 Hp @ 250 VAC
- Meets UL 873 Spacing
- Lead Free and RoHS Compliant



Load Type	1A (SPST-NO)	
Resistive Load	25 A @ 250 VAC	20 A @ 277 VAC
Motor Load	1.5 HP @ 250 VAC	

NOT UL RATED

Load Type	1A (SPST-NO)	
Inductive Load	20 A @ 250 VAC, P.F. = 0.4	

CONTACT DATA

Material	AgSnO ₂	
Initial Contact Resistance	≤ 50 mΩ	
Max. Switching Power	6,250 VA	
Max. Switching Voltage	300 VAC	
Max. Switching Current	25 A	
Max. In Rush Current	70 A	
Service Life	Mechanical	1 X 10 ⁷ Operations
	Electrical	1 X 10 ⁵ Operations

CHARACTERISTICS

Operate Time	Less than 20 ms
Release Time	Less than 10 ms
Insulation Resistance	1,000 MΩ min at 500 VDC
Dielectric Strength	50 Hz 1000 V Between Contacts
	50 Hz 1000 V Between Contact and Coil
	Surge Voltage: 10 kV
Shock Resistance	Functional: 100 m/s ² 11ms
	Survival: 1000 m/s ² 11ms
Power Consumption	900 mW

Vibration Resistance	10 Hz - 55 Hz
	Functional: Double Amplitude 1.5 mm Survival: Double Amplitude 2.0 mm
Terminal Strength	10N 8N
Solderability	235°C ± 2°C 3 s ± 0.5 s
Operating Temperature	- 30 to 85°C
Storage Temperature	- 40°C to 125°C
Relative Humidity	20% - 85%
Weight	28 grams

ORDERING INFORMATION

Example:	PC354	-1A	-12	F	-X
Model:	PC354				
Contact Form:	1A				
Coil Voltage:	6, 9, 12, 24, 48				
Terminal Type:	Nil: QC + PC				
Insulation Material:	Nil: Class B				
RoHS Compliant:	-X				

Packaging: Dust Cover, non-Sealed
Box Quantity: 300; Inner Box: 25

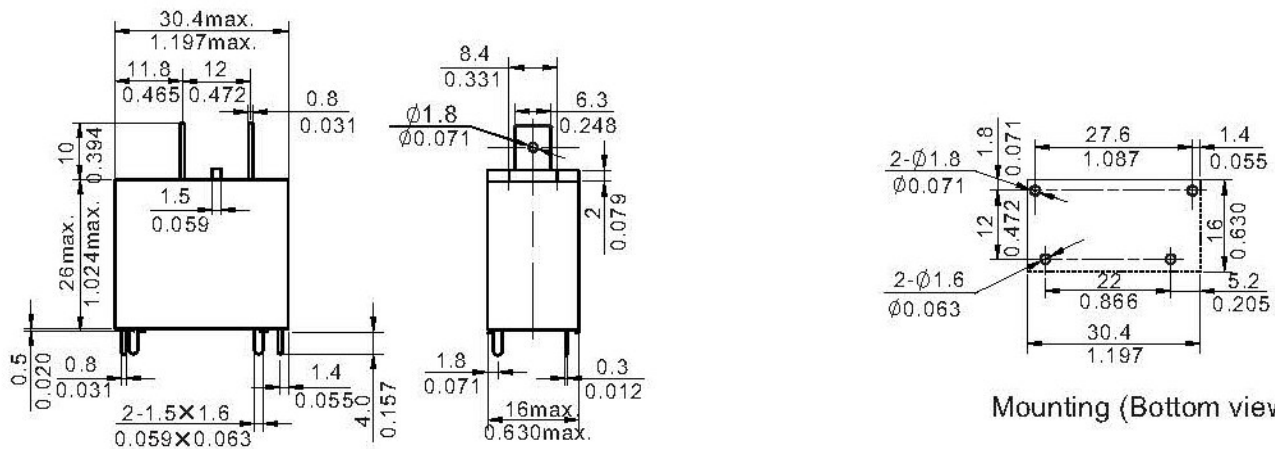
COIL DATA

Coil Voltage (VDC)		Rated Current (mA)	Resistance (ohms ± 10%)	Must Operate Voltage Max. (VDC)	Must Release Voltage Min. (VDC)	Coil Power (W)
Rated	Max					
6	7.8	150	40	4.5	0.3	.9
9	11.7	100	90	6.7	0.5	
12	15.6	75	160	9.0	0.6	
24	31.2	37.8	640	18	1.2	
48	62.4	18.8	2560	36	2.4	

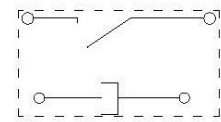
NOTES:

The use of any coil voltage less than the rated voltage will compromise the operation of the relays. Must Operate Voltage is listed for test purposes only and is not to be used as design criteria. Pickup and release voltages are for test purposes only and are not to be used as design criteria. Dimensions are in mm, Inches are listed for reference only.

DIMENSIONS (mm/inches)



Mounting (Bottom view)



Wiring diagram (Bottom view)



3220 Commander Drive, Suite 102 Carrollton, TX 75006
 Sales: (972) 713-6272 (888) 997-3933 Fax: (972) 735-0964

www.PickerComponents.com
 e-mail: sales@pickercomponents.com