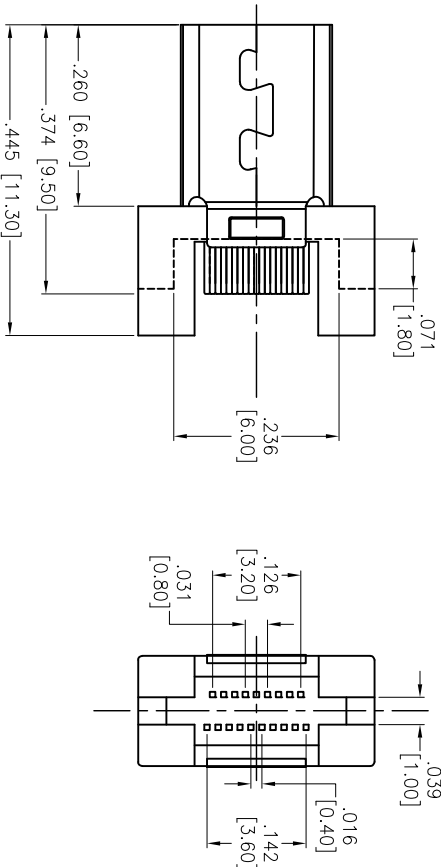
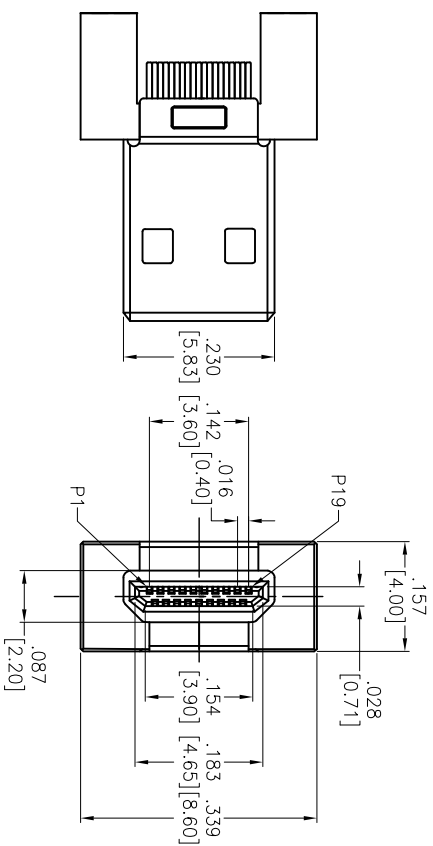


Rev	AWO #	Description	Date	Appr
-		RELEASED	3/28/14	

APPROVED: _____
 DATE: _____ TITLE: _____



SPECIFICATIONS:

- Material: Insulator: Hi-temp thermoplastic, rated UL 94V-0
- Insulator color: Black
- Contact: Copper Alloy
- Plating: 15u" Gold over Nickel underplate on contact area
- Electrical: Contact resistance: 30 mohms max. Insulation resistance: 100 Mohms min. Dielectric withstanding voltage: 500 VAC for 1 minute
- Temperature Rating: Operating temperature: -20°C to +85°C
- Environmental: Lead free, RoHS Compliant



UNLESS OTHERWISE SPECIFIED ALL DIMENSIONS ARE INCHES [MM]	
TOLERANCES: EXCEPT AS NOTED	
INCHES	HOLES
.X ± .10	ØX ± .10
.XX ± .020	ØXX ± .015
.XXX ± .015	ØXXX ± .010
APPROVALS	DATE
DRAWN AY	3/28/14
CHECKED SL	3/28/14
APPROVED	

ADAM TECH
 909 Rahway Avenue, Union, NJ 07083
 Phone: 908-687-5000 Fax: 908-687-5710

TITLE: MICRO DMI D TYPE PLUG, STRADDLE MOUNT
 15u" GOLD PLATED

SIZE X	PART NO. MCHDMI-PLUG-SM	REV. -
REF: S00097C	SCALE: NTS	SHEET 1 OF 1