

Product Features:

- 125 Watt Modular Power Supply
- Universal AC Input Range (90-264 VAC)
- Optional Power Factor Correction (CCH Models)
- Low Profile for 1U High Applications
- Meets VDE/FCC Class "B" EMI
- Industry Standard 3 x 5" Footprint
- Total Power Overload Limit Protection
- Over-Current Protection
- International Safety Certifications - UL, CSA, TUV & CE Mark (LVD)



FEATURES	BENEFITS	KEY MARKET SEGMENTS & APPLICATIONS
PFC Compliant to EN61000-3-2	Supports global use of power supply	<ul style="list-style-type: none"> ■ Automation Equipment ■ Gaming Application ■ Point of Sale Equipment ■ Networking / Datacom ■ Industrial Applications ■ Computer Peripherals ■ Test Equipment
Input protection per EN61000-4	Designed to operate in harsh environmental conditions	
Economical	Lowered system costs	
Flexibility with options	Custom capability without NRE & long lead-times	

SPECIFICATIONS	125 Watt Single Output Switching Power Supply
Input Voltage Range	Universal AC Input (90-264VAC; 47-63Hz)
Harmonic Current	0.99 Power Factor (EN61000-3-2 Class D Compliant)
Inrush Current (Cold Start)	25A @ 115VAC
Input Protection	Single fuse (6.3A / 250VAC / Slow Blow)
EMI	FCC and VDE Level "B" (Conducted)
Efficiency	75% typical (measured at full load)
Maximum Output Power	125 Watts Continuous
Total Power Over-Load Limit	Set at 138W typical by sensing the primary input current
Voltage Adjustment Range	+/-5%
Regulation	+/-2% max
Output Ripple & Noise	1% pk-pk @ 20MHz with 0.1 F ceramic and 10 F electrolytic caps across the output
Over Voltage Protection	112.75 - 137.5%
Over Current Limit	110-135% of Iout Nominal. Output recovers when the fault is removed
Hold-Up Time	16ms min at 115 VAC / 60Hz Input and 84 Watt Output Operation
Operating Temperature	Full load from 0 to 50°C. Derates linearly from 50°C to 65°C at 2.5% per °C
Status & Control	Remote Sense (compensates for up to 250mV Drop) Remote on/off Control (A low signal turns the power supply off) AC FAIL: Signal is high when AC input voltage signal is within specified regulation. DC Good (PS OK): Signal is High when DC output voltage is within regulation.
Shock & Vibration	Shock (11 ± 3ms, 3 axes, Half Sine): 15Gpk, Vibration (Random vibration, 5-500Hz, 10min each axis: 2.4Grms)
Dimensions	3.00 x 5.00 x 1.25" (215.9mm x 125.7mm x 38.1mm) for standard open frame model
Safety Approvals	UL 60950-1, CUL CSA 60950-1, TUV IEC 60950-1, CE Mark (LVD)

Output Configurations			
MODEL NUMBER	V1 OUTPUT		
	Vout	Io Min	Io Max
CCH125F1	12	0.4 A	10.5 A

Specifications listed assume 25°C Ambient Operating Temperature and Full Load Operation unless otherwise specified. This product is qualified for use in OEM equipment and is not appropriate for stand-alone operation. The information contained within this specification is believed to be true and correct at the time of publication, however, Cherokee International accepts no responsibility for consequences arising from printing errors or inaccuracies. The information and specifications contained herein are subject to change without notice.

Cherokee International (North America)

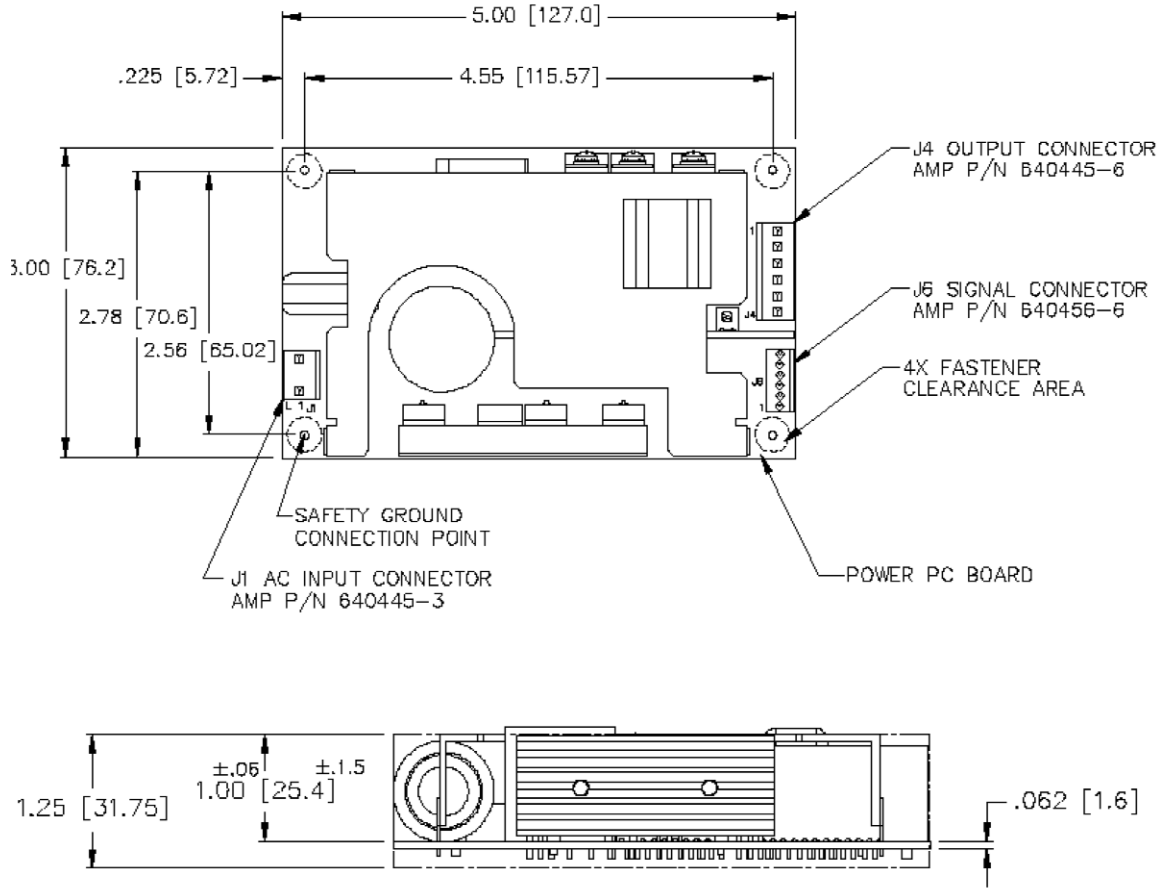
 2841 Dow Avenue
Tustin, CA 92780 USA
sales@cherokeepwr.com
P: (714) 544-6665
F: (714) 838-4742

Cherokee International (Europe)

 Boulevard de l'Europe, 131
B-1301 Wavre, Belgium
sales.europe@cherokeepwr.com
P: +32.10.438.510
F: +32.10.438.213

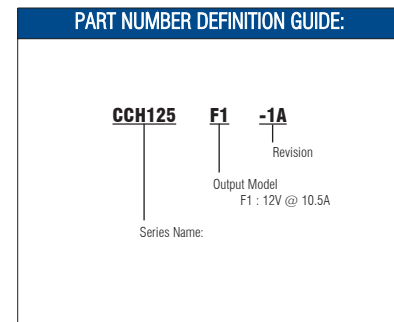
Cherokee International (China) Power Supply Ltd.

 1353 Chengqiao Road, Shanghai Sengpu Industrial Park
Shanghai, 201401 China
sales.china@cherokeepwr.com
P: 021 6710 8910

OUTLINE DRAWING


PIN ASSIGNMENTS					
J1 (AC Input)		J4 (DC Output)		J6 (Status)	
PIN	FUNCTION	PIN	FUNCTION	PIN	FUNCTION
1	LINE	1	V1	1	RTN
2	N / C	2	V1	2	-S
3	NEUTRAL	3	V1	3	+S
		4	RTN	4	AC FAIL
		5	RTN	5	PS OK
		6	RTN	6	REMOTE

J1 Connector is AMP Part # 640445-3
 J4 Connector is AMP Part # 640445-6
 J6 Connector is AMP Part # 640456-6


Cherokee International (North America)

2841 Dow Avenue P: (714) 544-6665
 Tustin, CA 92780 USA F: (714) 838-4742
 sales@cherokeepwr.com

Cherokee International (Europe)

Boulevard de l'Europe, 131 P: +32.10.438.510
 B-1301 Wavre, Belgium F: +32.10.438.213
 sales.europe@cherokeepwr.com

Cherokee International (China) Power Supply Ltd.

1353 Chengqiao Road, Shanghai Sengpu Industrial Park
 Shanghai, 201401 China P: 021 6710 8910
 sales.china@cherokeepwr.com