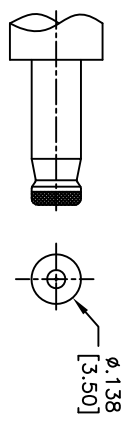
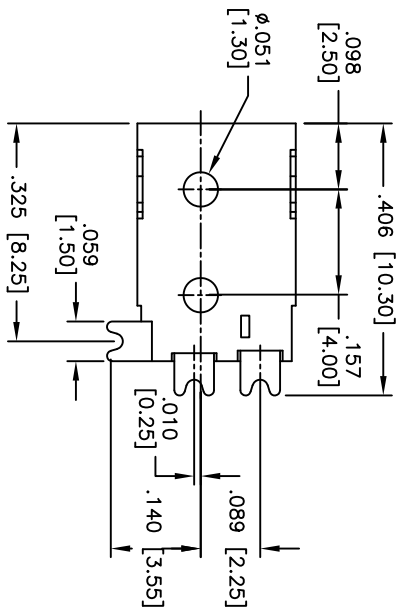
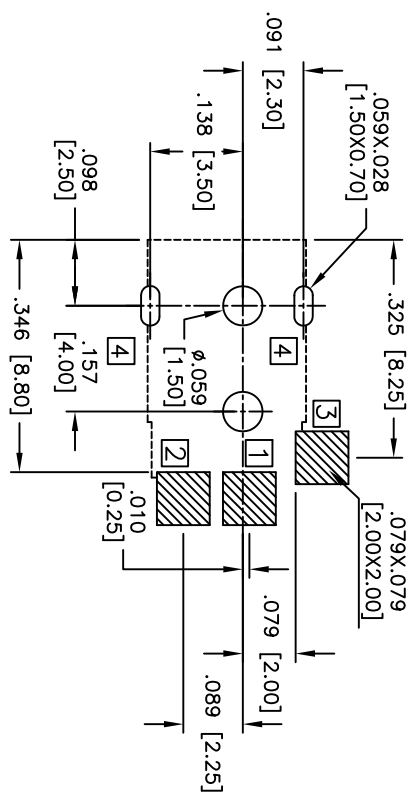
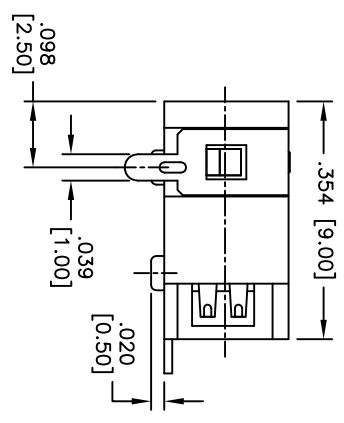
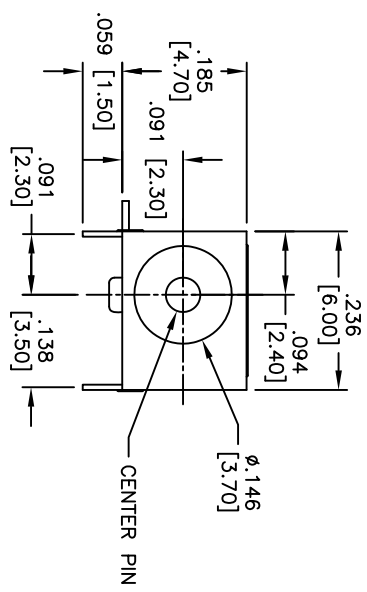


Rev	AWO #	Description	Date	Appr
-		RELEASED	7/27/10	

APPROVED: _____

DATE: _____ TITLE: _____



DC MALE PLUG

PART NO.	CENTER PIN DIA.
ADC-037A-3	$\phi 0.039$ [1.00]
ADC-037A-4	$\phi 0.051$ [1.30]

SPECIFICATIONS:

Material: LCP rated UL 94V-0

Insulator color: Black

Contacts: Copper Alloy, Silver plated

Center Pin: Brass, Nickel plated

Electrical:

Operating voltage: 12 VDC max.

Current rating: 1 Amps

Contact resistance: 30 mohms max.

Insulation resistance: 100 Mohms min.

Dielectric withstanding voltage: 500 VAC for 1 minute

Temperature Rating: Operating temperature: -20°C to +70°C

Environmental: Lead free, RoHS compliant

Recommended soldering temp: 260°C for 5 sec.



ADAM TECH

909 Railway Avenue, Union, NJ 07083
 Phone: 908-687-5000 Fax: 908-687-5710

TITLE: DC POWER JACK, 1.00mm, 1.30mm CENTER PIN

UNLESS OTHERWISE SPECIFIED ALL DIMENSIONS ARE INCHES [MM]	
TOLERANCES: EXCEPT AS NOTED	
INCHES	HOLES
.X ± .10	ϕ X ± .10
.XX ± .020	ϕ XX ± .015
.XXX ± .015	ϕ XXX ± .010
APPROVALS:	DATE:
DRAWN: DY	7/27/10
CHECKED:	
APPROVED:	

SIZE: X	PART NO.: ADC-037A-X	REV.:
REF: S00022C	SCALE: NTS	SHEET 1 OF 1