



Series 970 PowerTrip™ Connectors and Accessories

Cable Connectors

970-005 Cable Receptacle

970-005 CABLE RECEPTACLES



These connectors, often called “in-line,” “line” or “free-hanging” receptacles, are installed on cables for cord-to-cord applications. These connectors feature high current LouverBand contacts. Coupling threads are triple-start ACME type. EMI protected with ground spring and splined backshell interface. Standard contacts are silver plated high conductivity copper alloy, or choose gold-plated contacts for improved corrosion protection. Fluorosilicone rubber gaskets and grommets provide watertight sealing. Unassembled contacts are packaged with connector.

- EMI Protected
- High Current Contacts
- Splined Backshell Interface

PRODUCT FACTS

2000 VAC Sea Level DWV Rating
-65°C to +200°C Operating Temperature
6 Feet Water Immersion, 48 Hours
65 dB min. Attenuation, up to 10GHz
500 Cycles Mating Durability
MIL-S 901 Grade A High-Impact Shock
43 g Random Vibration

HOW TO ORDER

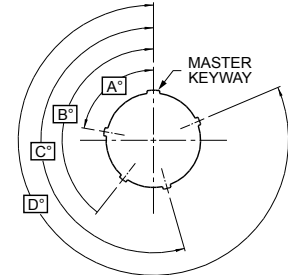
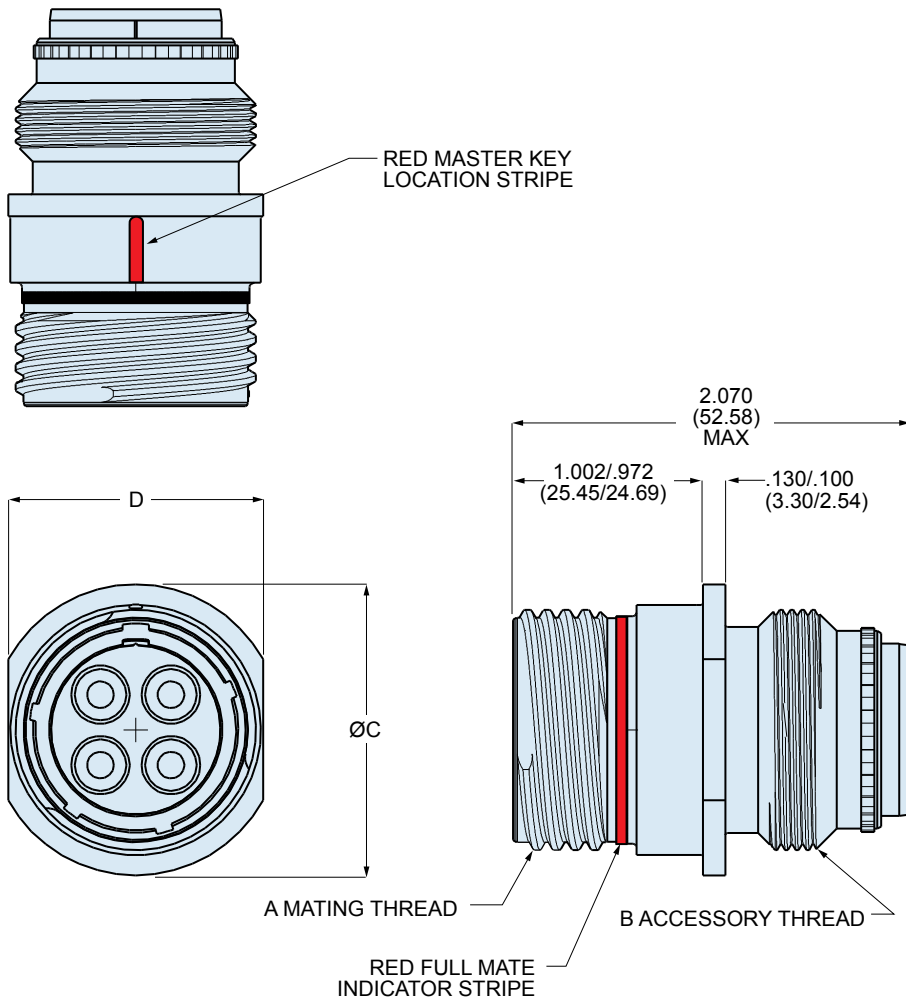
SERIES	SHELL MATL AND FINISH	SHELL SIZE - INSERT ARRANGEMENT					CONTACT TYPE AND PLATING	KEY POSITION	
		Contact Arr.	Contact Size and Qty						
		#16	#12	#8	#4	#1/0			
970-005 Cable Receptacle	ME Aluminum, Electroless Nickel Finish			2			P1 Pin Contacts, Silver Plating*	-1 Position 1	
		18-2		2					
		18-4	2	2					
	MT Aluminum, Nickel-PTFE Finish				3		P2 Pin Contacts, Gold Plating	-2 Position 2	
		20-3			3				
		20-4			4				
	NF Aluminum, Olive Drab Cadmium			2	3		S1 Socket Contacts, Silver Plating*	-3 Position 3	
		20-5		2	3				
		20-7	4		3				
	ZR Aluminum, Black Zinc-Nickel Finish					2	S2 Socket Contacts, Gold Plating	-4 Position 4	
		24-2				2			
		24-3				3			
	Z1 Passivated Stainless Steel				5		A Pin Connector, without Contacts	-5 Position 5	
		24-5			5				
		24-6	4		2				
	970-005 Cable Receptacle	MT Aluminum, Nickel-PTFE Finish	24-A6	3		3		B Socket Connector, without Contacts	-6 Position 6
			28-4				4		
			28-8	1	7				
			28-9	5		4			
			28-15	15					
			32-2				2		
32-3						3			
32-4					2	2			
32-5					5				
32-6				3		3			
32-20	1	19							
36-4				4					
36-16	3		13						
40-5				5					
40-21			21						
Sample Part Number									
970-005	MT	24-5					P1	-1	

* Size 12 and 16 contacts are gold-plated. Size 8, 4 and 1/0 are silver plated.

Series 970 PowerTrip™ Connectors and Accessories
Cable Connectors
970-005 Cable Receptacle



970-005 CABLE RECEPTACLE CONNECTOR



KEY POSITIONS				
Position	A°	B°	C°	D°
1	80	142	196	293
2	135	170	200	310
3	49	169	200	244
4	66	140	200	257
5	62	145	180	280
6	79	153	197	272



DIMENSIONS						
Shell Size	A Mating Thread	B Accessory Thd	C		D	
			In. ±.010	mm. ±0.25	In. ±.005	mm. ±0.13
18	1.125-.1P-.3L-TS-2A	1.125-18 UNEF-2A	1.328	33.73	1.138	28.91
20	1.250-.1P-.3L-TS-2A	1.250-18 UNEF-2A	1.515	38.48	1.325	33.66
24	1.500-.1P-.3L-TS-2A	1.4375-18 UNEF-2A	1.703	43.26	1.513	38.43
28	1.750-.1P-.3L-TS-2A	1.8125-16 UN-2A	2.078	52.02	1.888	47.96
32	2.000-.1P-.3L-TS-2A	2.0625-16 UNS-2A	2.265	57.53	2.075	52.71
36	2.250-.1P-.3L-TS-2A	2.250-16 UN-2A	2.515	63.89	2.325	55.06
40	2.500-.1P-.3L-TS-2A	2.500-16 UN-2A	2.765	70.23	2.575	65.41