

**PLEASE CHECK WWW.MOLEX.COM FOR LATEST PART INFORMATION**

**Part Number:** [63911-9500](#)  
**Status:** **Active**  
**Description:** T2 Terminator for 3.7 LED Connector Plug Crimp Terminal

**Documents:**

[RoHS Certificate of Compliance \(PDF\)](#)

**General**

Product Family	Application Tooling
Series	T9999
Function	Crimp
Geographic Area	Global
Level of Automation	Semi-Automatic
More Detailed Tech Information	<a href="mailto:applicationtooling@molex.com">applicationtooling@molex.com</a>
Product Name	T2
Survey	<a href="http://www.molex.com//review/apptool_survey.html">www.molex.com//review/apptool_survey.html</a>
Tool Type	Terminator Die
UPC	884982218260

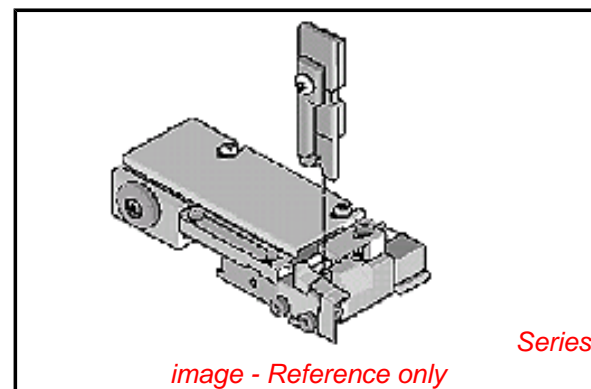
**Physical**

Net Weight 921.816/g

**Material Info**

**Reference - Drawing Numbers**

Application Tooling Documents  
 ATS-639119500, TM-638000029, TM-638000029CN,  
 TM-638000029DE, TM-638000029FR,  
 TM-638000029IT, TM-638000029JP,  
 TM-638000029KR, TM-638000029MY,  
 TM-638000029PL, TM-638000029RU,  
 TM-638000029SK, TM-638000029SP,  
 TM-638000029TH, TM-638000029TW,  
 TM-638000029VN, TM-638500090, TM-638500090SP



*image - Reference only*

**EU RoHS**

**ELV and RoHS  
Compliant**

**REACH SVHC**

Not Reviewed

**Low-Halogen Status**

Not Reviewed

**China RoHS**



**Need more information on product  
environmental compliance?**

Email [productcompliance@molex.com](mailto:productcompliance@molex.com)  
 For a multiple part number RoHS Certificate of  
 Compliance, [click here](#)

Please visit the [Contact Us](#) section for any  
 non-product compliance questions.

**Search Parts in this Series**

T9999Series

**Use With**

503485 3.7 LED Connector Plug Crimp  
 Terminal, 26-28 AWG