

**PLEASE CHECK WWW.MOLEX.COM FOR LATEST PART INFORMATION**

**Part Number:** [0733000110](#)  
**Status:** **Active**  
**Overview:** SMPM and SMP RF Connectors  
**Description:** SMPM Plug, PCB Mount, Right-Angle, Surface Mount, 50 Ohm, Full Detent

**Documents:**

[Drawing \(PDF\)](#) [RoHS Certificate of Compliance \(PDF\)](#)

**General**

Product Family	RF/Coax Connectors
Series	<a href="#">73300</a>
Overview	<a href="#">SMPM and SMP RF Connectors</a>
Product Name	SMPM
Style	PCB
UPC	887191190327
Wire/Cable Type	N/A

**Physical**

Gender	Plug
Keying to Mating Part	N/A
Orientation	Straight
PCB Mounting	Surface Mount
Packaging Type	Tray
Panel Mount	No
Panel Mount Method	N/A

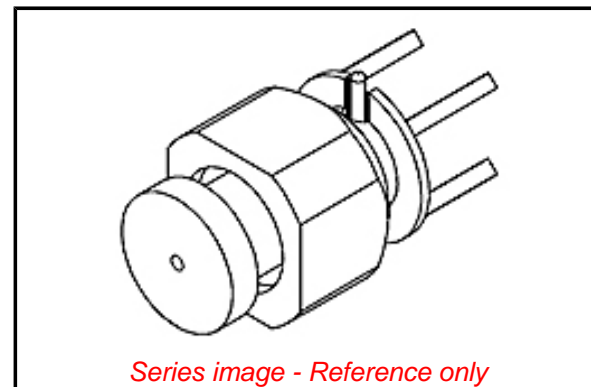
**Electrical**

Impedance	50#
-----------	-----

**Material Info**

**Reference - Drawing Numbers**

Sales Drawing	SD-73300-011
---------------	--------------



*Series image - Reference only*

**EU ELV**

**Not Reviewed**

**EU RoHS**

**Not Reviewed**

**REACH SVHC**

Not Reviewed

**Halogen-Free**

**Status**

**Not Reviewed**

**Need more information on product environmental compliance?**

Email [productcompliance@molex.com](mailto:productcompliance@molex.com)  
Please visit the [Contact Us](#) section for any non-product compliance questions.

China ROHS

Not Reviewed

ELV

Not Reviewed

**Search Parts in this Series**

[73300 Series](#)

**PLEASE CHECK WWW.MOLEX.COM FOR LATEST PART INFORMATION**