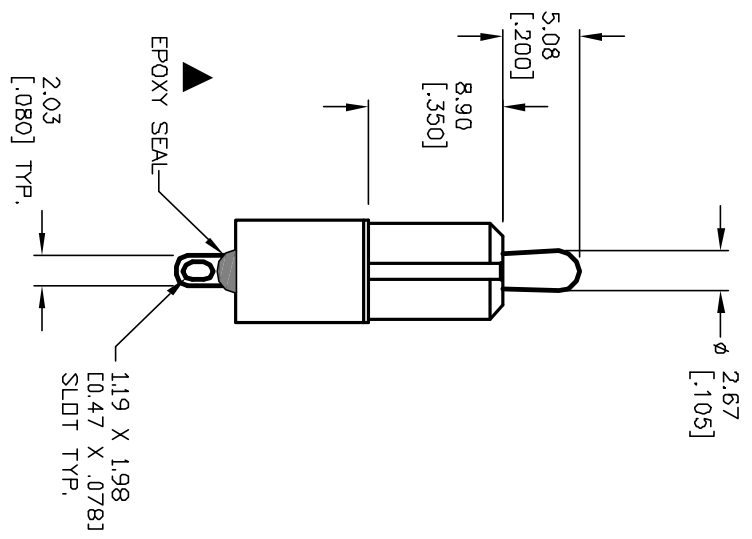
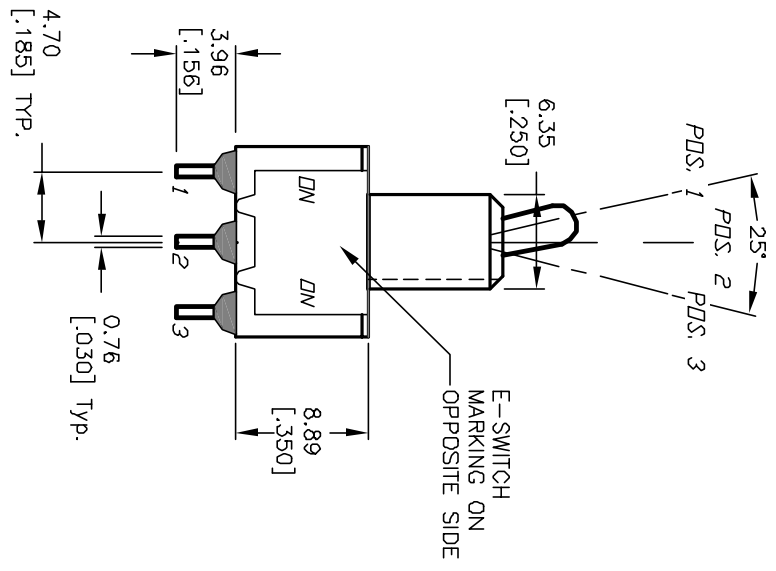
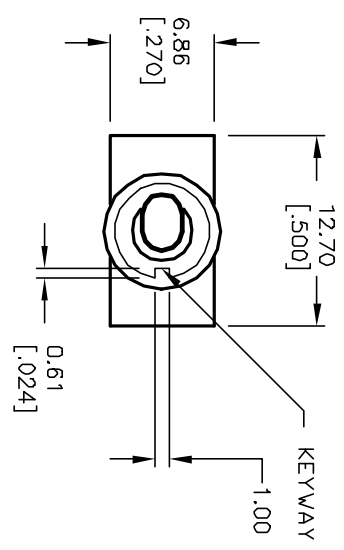


CIRCUIT: SPDT

SWITCH FUNCTION		
PDS. 1	PDS. 2	PDS. 3
DN	NDNE	DN
2-3	DPEN	2-1

NOTES:

1. ALL DIMENSIONS IN MM [INCH]
2. GENERAL TOLERANCE: X.XX=±0.4  
X.XXX=±0.25
3. TERM. NOS. FOR REF. ONLY
4. RATING: 5A @120VAC OR 28VDC  
2A @250VAC
5. ELECTRICAL LIFE: 50,000 make-and-break  
cycles at full load.
6. INSULATION RESISTANCE: 1,000M ohm min.
7. DIELECTRIC STRENGTH: 1000V RMS @sed level
8. OPERATING TEMP.: -30°C to 85°C



REV. B		12166		REVISED AND REDRAWN		5/20/02		CJB	
REV. A		ECN No.		DESCRIPTION		DATE		CHKD	
TITLE: 100 SP-1 T2 B2 M1 Q E SCALE: 2:1 DATE: 5/20/02 DR: CJB DWG: T111013 REV: B									
THE INFORMATION CONTAINED IN THIS DOCUMENT IS PROPRIETARY TO E-SWITCH AND IS NOT TO BE COPIED OR TRANSMITTED									