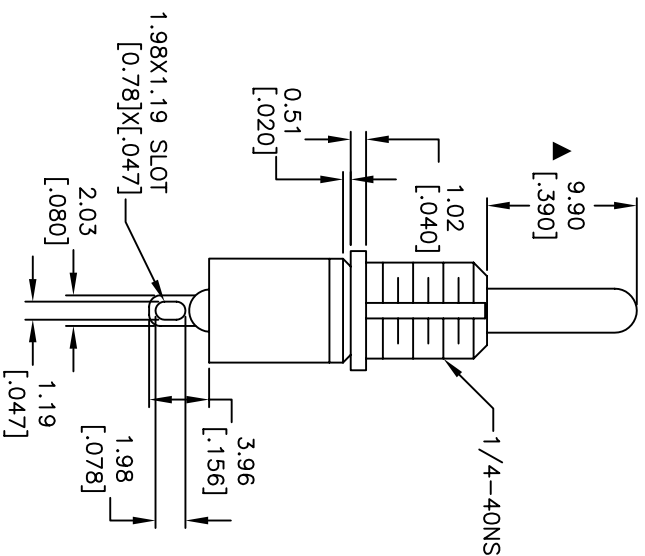
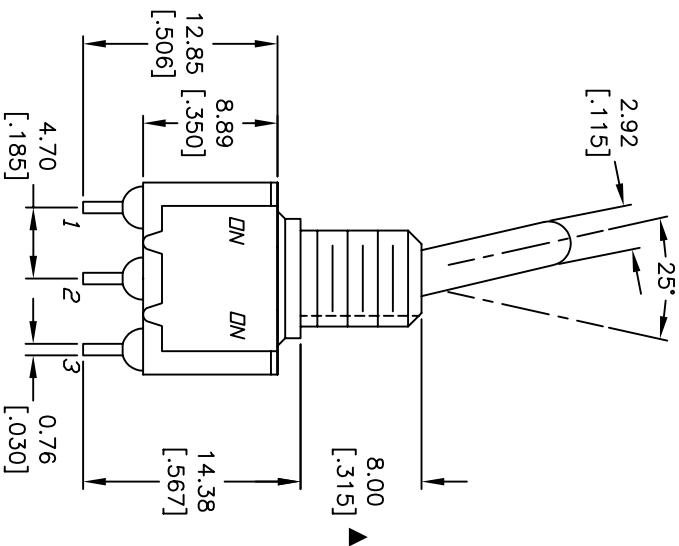
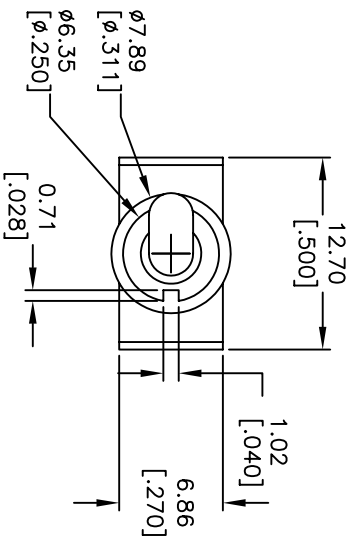


CONTACT CONFIGURATION

SWITCH FUNCTION			
POS. 1	POS. 2	POS. 3	
DN	DN	DN	
DN	NONE	DN	
2-3	DOPEN	2-1	



NOTES:

1. ALL DIMENSIONS IN MM [INCH]
2. GENERAL TOLERANCE: X.X=±0.4  
X.XX=±0.25
3. TERM. NOS. FOR REF. ONLY
4. RATING: 5A @120VAC OR 28VDC  
2A @250VAC
5. FIXED TERM. & MOVING CONTACT:  
Copper ALLOY W/Silver plate.  
ELECTRICAL LIFE: 50,000 make-and-break cycles at full load.
6. INSULATION RESISTANCE: 1,000M ohm min.
7. DIELECTRIC STRENGTH: 1000V RMS @sed level
8. OPERATING TEMP.: -30°C to 85°C
9. ▲ DENOTES CRITICAL PARAMETER.
10. ▲ DENOTES CRITICAL PARAMETER.
11. 2002/95/EC (ROHS) COMPLIANT

B	15500	ADD ROHS NOTE	11/4/05	PH
A	13302	RELEASE	7/18/03	AR
REV.	ECN No.	DESCRIPTION	DATE	CHKD

THE INFORMATION CONTAINED IN THIS DOCUMENT IS PROPRIETARY TO E-SWITCH AND IS NOT TO BE COPIED OR TRANSFERRED

**E-SWITCH®**

TITLE	100 SP-1 T1 B6 M1 Q E	SCALE	2:1	DATE	7/18/03	DR	AR	DWG	T111002	REV	B
-------	-----------------------	-------	-----	------	---------	----	----	-----	---------	-----	---