

## S-Band 350 W Radar Pulsed Power GaN Pallet 2700 - 2900 MHz

Rev. V4

### Features

- Output Power > 350 W, with 11.5 dB Gain and 50% Drain Efficiency
- 2.0 x 0.9 Inches (50.8 x 23 mm<sup>2</sup>) Size
- Weight: 19 Grams
- Nickel Plated Aluminum Carrier
- +50 V Operation
- Input and Output Matched to 50  $\Omega$
- RO4003C Substrate  $\epsilon_R = 3.38$  Circuit Board
- True Standard SMT Assembly
- Single Gate and Drain Bias
- Dual GaN on SiC High Power Transistors
- Enhanced Harmonic Rejection
- MTTF = 600 years ( $T_J < 200^\circ\text{C}$ )
- RoHS\* Compliant. Lead Free Reflow Compatible

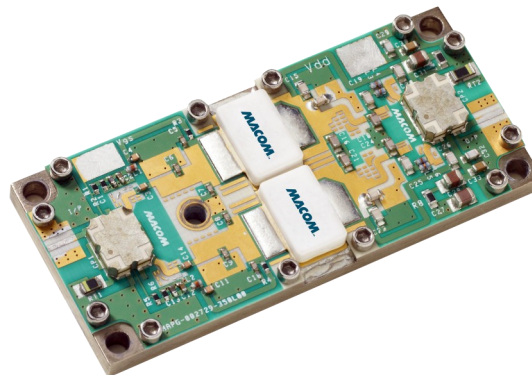
### Description

The MAPG-002729-350L00 is a common-source, Class AB, S-band GaN pallet power amplifier. The pallet is comprised of a matched pair of discrete GaN on SiC high power transistors which are combined to produce a guaranteed 350 W peak pulsed power and 35 W average power.

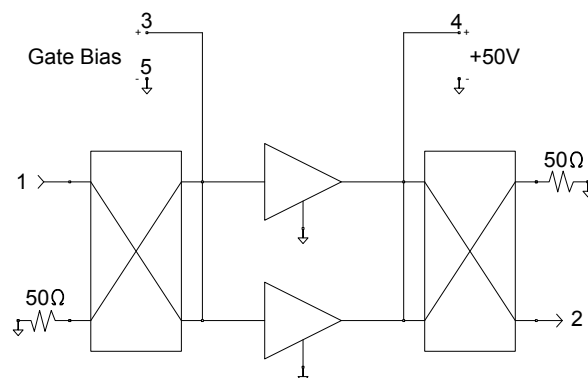
The GaN pallet has excellent harmonic rejection and robust operation under a wide range of environmental conditions. The pallet is constructed by combining a laminate board (RO4003C) with an aluminum carrier to allow for true standard SMT assembly.

The compact size of the integrated pallet, combined with excellent RF performance makes this product an ideal solution for pulsed radar and medical applications where small size, light weight and high power performance (SWaP) are required.

### MAPG-002729-350L00



### Functional Schematic<sup>1, 2</sup>



### Pin Configuration<sup>3</sup>

Pin No.	Function
1	RF Input
2	RF Output
3	Gate Bias Voltage <sup>1</sup> ( $V_{GG}$ )
4	Drain Bias Voltage <sup>2</sup> ( $V_{DD}$ )
5	GND

### Ordering Information

Part Number	Package
MAPG-002729-350L00	Bulk Packaging
MAPG-S22729-350L00	Sample Board

1. One common gate voltage for both transistors.
2. One common drain voltage for both transistors.
3. The exposed pad centered on the package bottom must be connected to RF and DC ground.

\* Restrictions on Hazardous Substances, European Union Directive 2011/65/EU.

## S-Band 350 W Radar Pulsed Power GaN Pallet 2700 - 2900 MHz

Rev. V4

### Electrical Specifications<sup>4</sup>: 2700 - 2900 MHz, T<sub>A</sub> = 25°C, Z<sub>L</sub> = 50 Ω

Parameter	Test Conditions	Symbol	Min.	Typ.	Max.	Units
<b>RF Functional Tests: V<sub>DD</sub> = 50 V, I<sub>DQ</sub> = 500 mA, 300 μs Pulse, 10% Duty Cycle</b>						
Output Power	P <sub>IN</sub> = 32 Wpk	P <sub>OUT</sub>	350	400	-	Wpk
Gain	P <sub>IN</sub> = 32 Wpk	G <sub>P</sub>	10.4	11.5	-	dB
Drain Efficiency	P <sub>IN</sub> = 32 Wpk	η <sub>D</sub>	45	50	-	%
Droop	P <sub>IN</sub> = 32 Wpk	Droop	-	0.2	0.5	dB
Input Return Loss	P <sub>IN</sub> = 32 Wpk	IRL	-	-20	-10	dB
2 <sup>ND</sup> Harmonic	P <sub>IN</sub> = 32 Wpk	2F <sub>O</sub>	-	- 50	-	dBc
3 <sup>RD</sup> Harmonic	P <sub>IN</sub> = 32 Wpk	3F <sub>O</sub>	-	- 30	-	dBc
Load Mismatch Stability	P <sub>IN</sub> = 32 Wpk	VSWR-S	-	5:1	-	-
Load Mismatch Tolerance	P <sub>IN</sub> = 32 Wpk	VSWR-T	-	10:1	-	-

4. Typical RF performance measured in RF evaluation board (see test fixture assembly on page 3).

### Absolute Maximum Ratings<sup>5,6,7,8</sup>

Parameter	Absolute Maximum
Peak Input Power (P <sub>IN</sub> )	+36 W
Drain Supply Voltage (V <sub>DD</sub> )	+55 V
Gate Supply Voltage (V <sub>GG</sub> )	-9 V to -2.0 V
Supply Current (I <sub>DD</sub> )	10 A
Peak Power Dissipation (300 μs Pulse, 10% duty cycle)	460 W
Peak Power Dissipation (150 μs Pulse, 15% duty cycle)	550 W
Operating Junction Temperature <sup>9</sup>	250 °C
Operating Temperature Range	-40 °C to +85 °C
Storage Temperature Range	-65 °C to +150 °C
ESD Min. - Human Body Model (HBM)	550 V

5. Exceeding any one or combination of these limits may cause permanent damage to this device.

6. MACOM does not recommend sustained operation near these survivability limits.

7. For saturated performance it is recommended that the sum of (3 \* V<sub>DD</sub> + abs(V<sub>GG</sub>)) ≤ 175 V.

8. CW operation is not recommended.

9. Operating junction temperature is measured with infrared (IR) microscope. Junction temperature directly affects a device's MTTF and should be kept as low as possible to maximize lifetime.

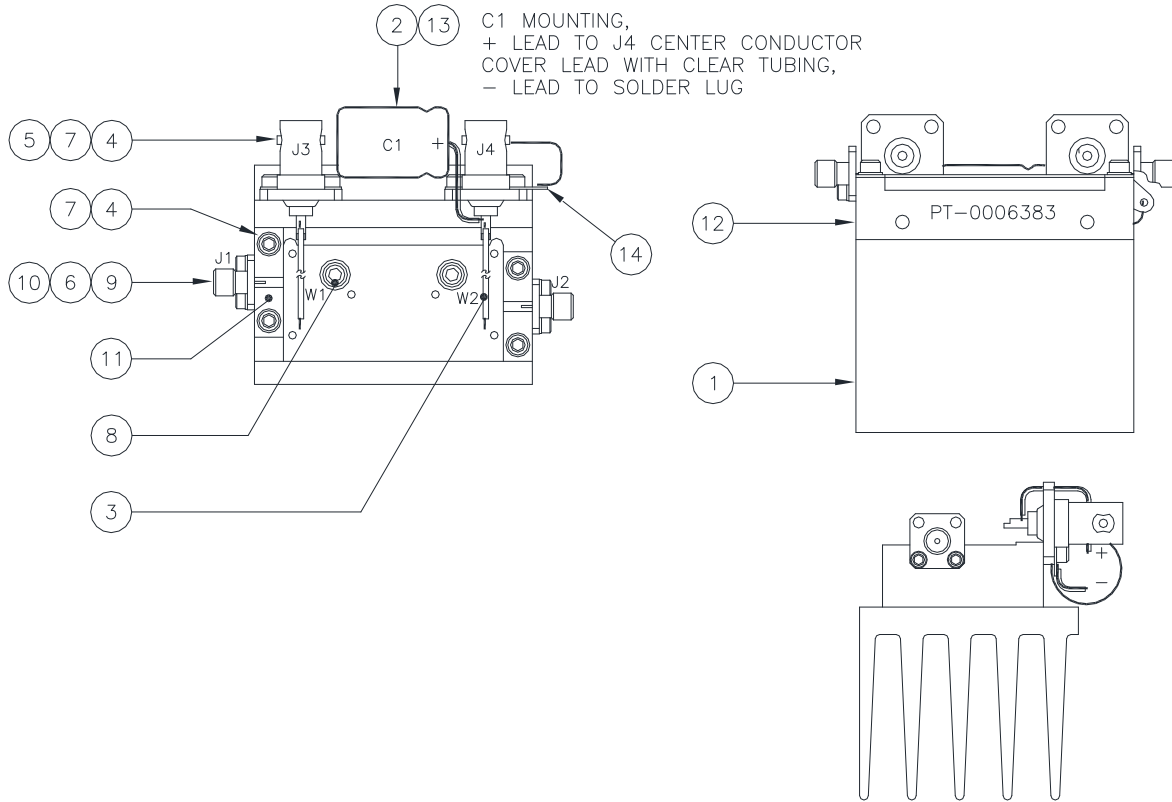
- MTTF = 5.3 x 10<sup>6</sup> hours (T<sub>J</sub> < 200 °C)
- MTTF = 6.8 x 10<sup>4</sup> hours (T<sub>J</sub> < 250 °C)

### Thermal Characteristics

Parameter	Test Conditions	Symbol	Typical	Units
Thermal Resistance	T <sub>C</sub> = 85 °C, V <sub>DD</sub> = 50 V, I <sub>DQ</sub> = 500 mA Pulse Width = 300 μs, Duty Cycle = 10%	Θ <sub>JC</sub>	0.2	°C/W

2

## Test Fixture Assembly



## Parts List

Item	Part	Description
1	-	Aluminum Heatsink
2	C1	100 $\mu$ F, 160 V, Electrolytic Capacitor, Panasonic
3	W1, W2	NO. 24 AWG X 3" Insulated Red Jumper Wire
4	-	NO. 4 Lock Washer
5	J3, J4	BNC Connector, Pomona Electronics
6	-	NO. 2-56 X 1/4" LG SOC HD SCR
7	-	NO. 4-40 X 1/4" LG SOC HD SCR
8	-	NO. 6-32 X 1/2" LG SOC HD SCR
9	-	NO. 2 Lock Washer
10	J1, J2	SMA Connector, Tyco Electronics
11	-	PCB
12	-	Aluminum Carrier
13	-	Clear Tubing
14	-	Solder Lug

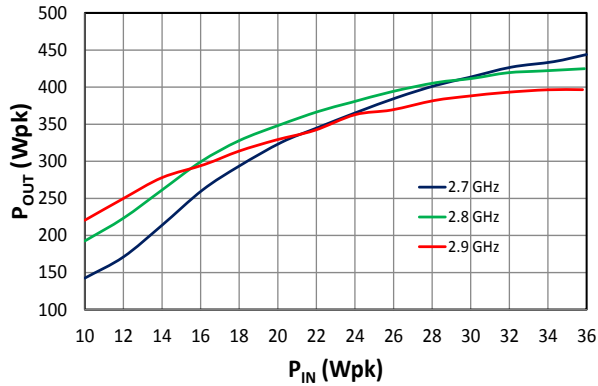
## S-Band 350 W Radar Pulsed Power GaN Pallet 2700 - 2900 MHz

Rev. V4

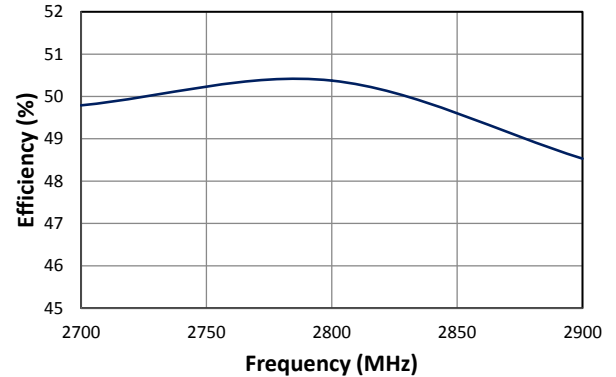
### Typical Large-Signal Performance Curves

2700 - 2900 MHz, 300  $\mu$ s Pulse, 10% Duty Cycle,  $V_{DD} = 50$  V,  $I_{DQ} = 500$  mA,  $P_{IN} = 32$  Wpk,  $T_A = 25^\circ\text{C}$

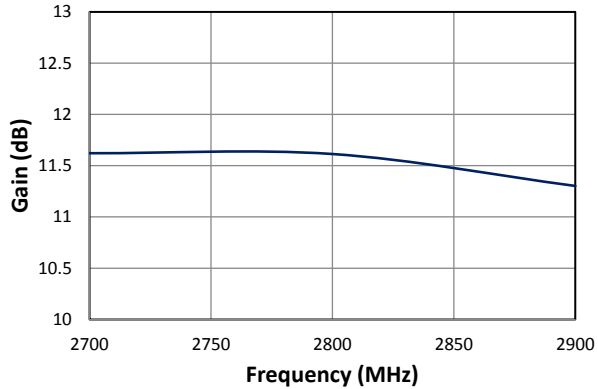
**Output Power vs. Input Power**



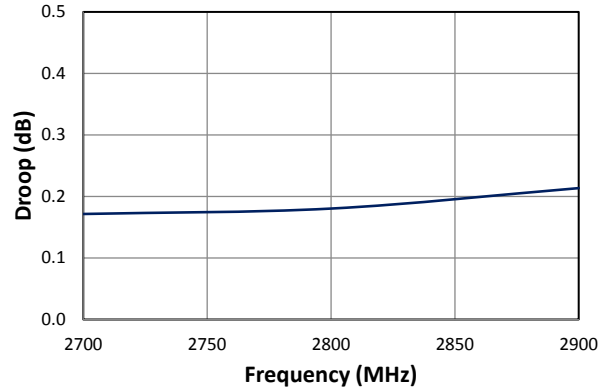
**Drain Efficiency vs. Frequency**



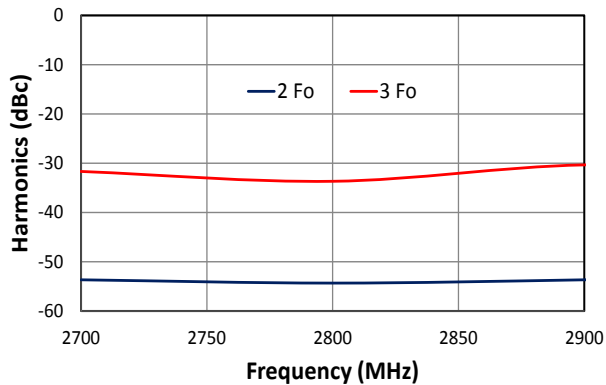
**Gain vs. Frequency**



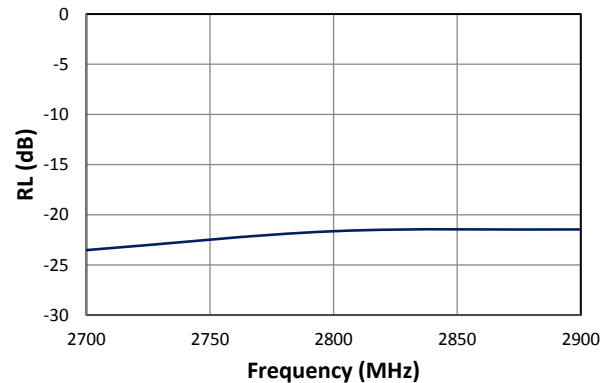
**Droop vs. Frequency**



**$2F_o$  and  $3F_o$  Harmonics vs. Frequency**



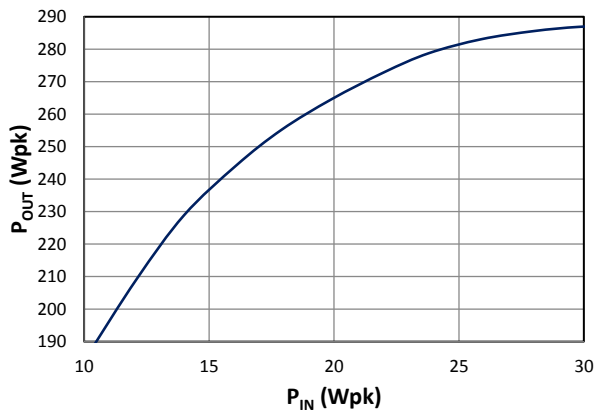
**Return Loss vs. Frequency**



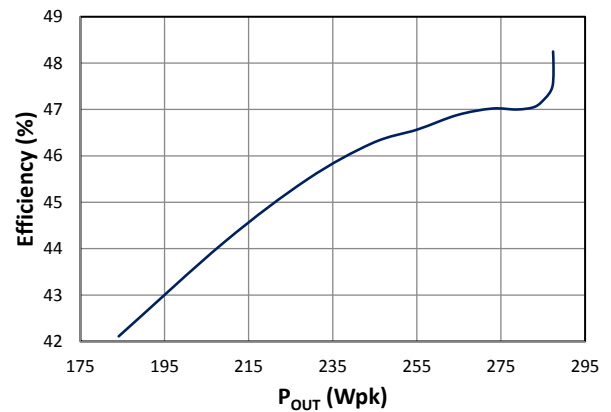
## Typical Large-Signal Performance Curves

2856 MHz, 1 ms Pulse, 3.3% Duty Cycle,  $V_{DD} = 40\text{ V}$ ,  $I_{DQ} = 500\text{ mA}$ ,  $T_A = 25^\circ\text{C}$

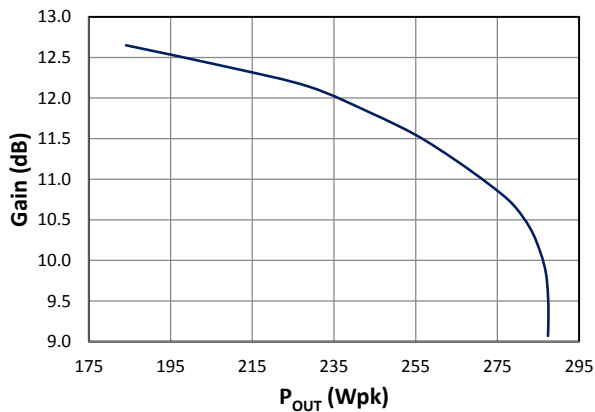
**Output Power vs. Input Power**



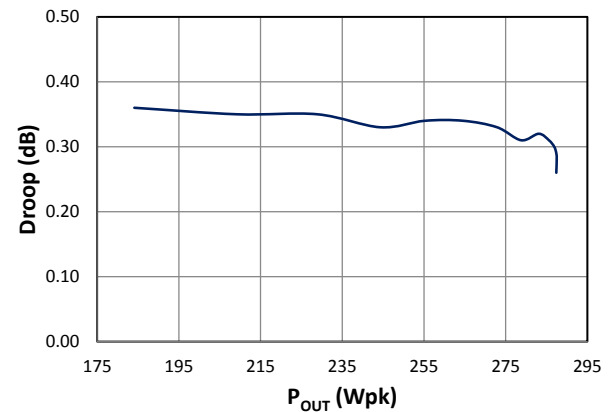
**Drain Efficiency vs. Output Power**



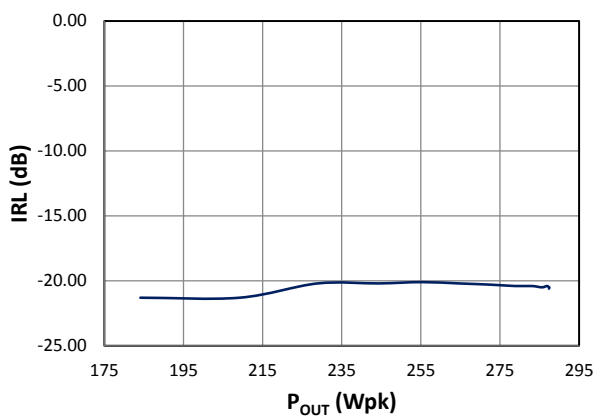
**Gain vs. Output Power**



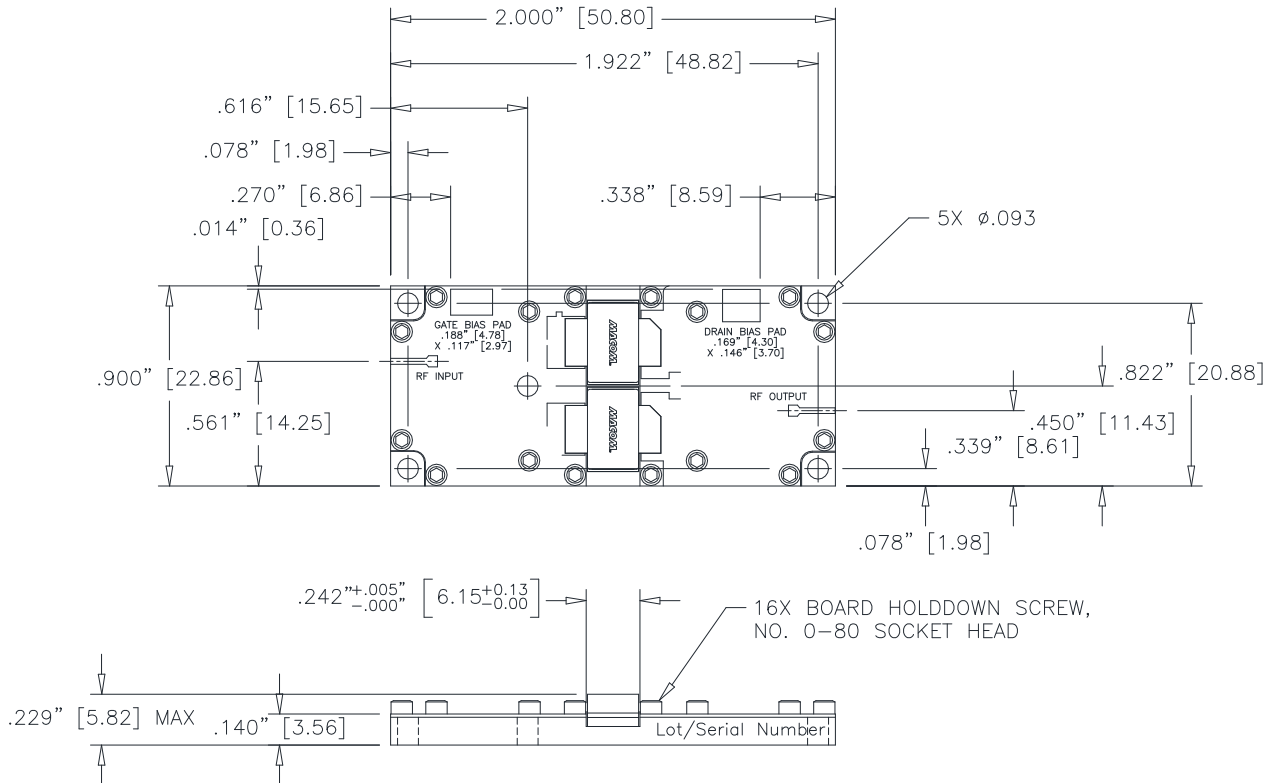
**Droop vs. Output Power**



**Return Loss vs. Output Power**



**Pallet Outline: 2.0 x 0.9 Inches (50.8 x 23 mm<sup>2</sup>). Lead Free.**



UNLESS OTHERWISE NOTED, TOLERANCES ARE INCHES ±.005" [millimeters ±0.13mm]

## Bias Sequencing

### Turning the device ON

1. Set  $V_G$  to the pinch-off value ( $V_P$ ), typically -6 V.
2. Turn on  $V_D$  to nominal voltage (50 V).
3. Increase  $V_G$  to desired quiescent current.
4. Apply RF power to desired level.

### Turning the device OFF

1. Turn the RF power off.
2. Decrease  $V_G$  down to  $V_P$ .
3. Turn off  $V_D$ .
4. Turn off  $V_G$ .

## Handling Procedures

Please observe the following precautions to avoid damage:

### Static Sensitivity

Gallium Nitride Devices and Circuits are sensitive to electrostatic discharge (ESD) and can be damaged by static electricity. Proper ESD control techniques should be used when handling these devices.

M/A-COM Technology Solutions Inc. All rights reserved.

Information in this document is provided in connection with M/A-COM Technology Solutions Inc ("MACOM") products. These materials are provided by MACOM as a service to its customers and may be used for informational purposes only. Except as provided in MACOM's Terms and Conditions of Sale for such products or in any separate agreement related to this document, MACOM assumes no liability whatsoever. MACOM assumes no responsibility for errors or omissions in these materials. MACOM may make changes to specifications and product descriptions at any time, without notice. MACOM makes no commitment to update the information and shall have no responsibility whatsoever for conflicts or incompatibilities arising from future changes to its specifications and product descriptions. No license, express or implied, by estoppel or otherwise, to any intellectual property rights is granted by this document.

THESE MATERIALS ARE PROVIDED "AS IS" WITHOUT WARRANTY OF ANY KIND, EITHER EXPRESS OR IMPLIED, RELATING TO SALE AND/OR USE OF MACOM PRODUCTS INCLUDING LIABILITY OR WARRANTIES RELATING TO FITNESS FOR A PARTICULAR PURPOSE, CONSEQUENTIAL OR INCIDENTAL DAMAGES, MERCHANTABILITY, OR INFRINGEMENT OF ANY PATENT, COPYRIGHT OR OTHER INTELLECTUAL PROPERTY RIGHT. MACOM FURTHER DOES NOT WARRANT THE ACCURACY OR COMPLETENESS OF THE INFORMATION, TEXT, GRAPHICS OR OTHER ITEMS CONTAINED WITHIN THESE MATERIALS. MACOM SHALL NOT BE LIABLE FOR ANY SPECIAL, INDIRECT, INCIDENTAL, OR CONSEQUENTIAL DAMAGES, INCLUDING WITHOUT LIMITATION, LOST REVENUES OR LOST PROFITS, WHICH MAY RESULT FROM THE USE OF THESE MATERIALS.

MACOM products are not intended for use in medical, lifesaving or life sustaining applications. MACOM customers using or selling MACOM products for use in such applications do so at their own risk and agree to fully indemnify MACOM for any damages resulting from such improper use or sale.