



GOR110D3

SINGLE-PHASE RECTIFIER BRIDGE

Battery chargers applications

Natural air cooling

LINE VOLTAGE UP TO **100 V**
DC OUTPUT CURRENT **35 A**

Characteristic		Conditions	Value
V _L	Line voltage		100 V
I _D	DC Output current	T _a = 40 °C	35 A
I _S	Starter current	15"	220 A
V _{INS} (rms)	Insulation voltage		2500 V

PRESS-FIT DIODE CHARACTERISTICS

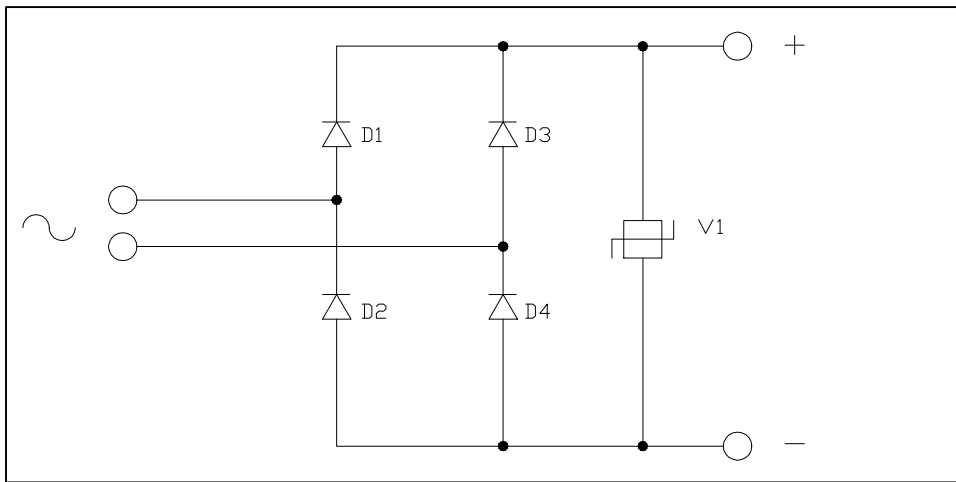
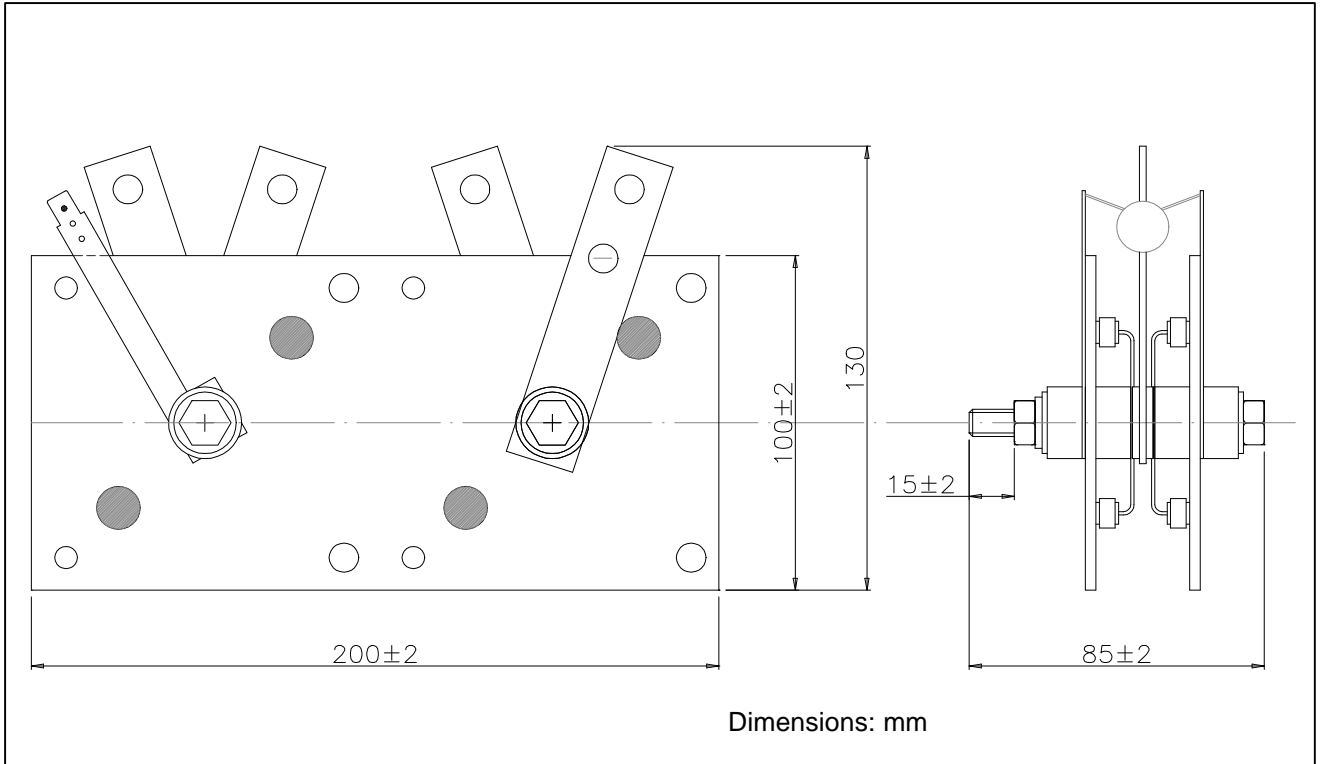
V _{RR}	Reverse voltage up to		600 V

TRANSIENT VOLTAGE SUPPRESSOR 14N151K

V	Rated voltage		150 V

MECHANICAL AND THERMAL CHARACTERISTICS

	Width		200 mm
	Depth		85 mm
	Height		130 mm
	Mass		540 g
T _a max	Max ambient operating temperature		40 °C
T _{stg}	Storage temperature		-40 / 125 °C



In the interest of product improvement Green Power Semiconductors reserves the right to change any specification given in this data sheet without notice.