

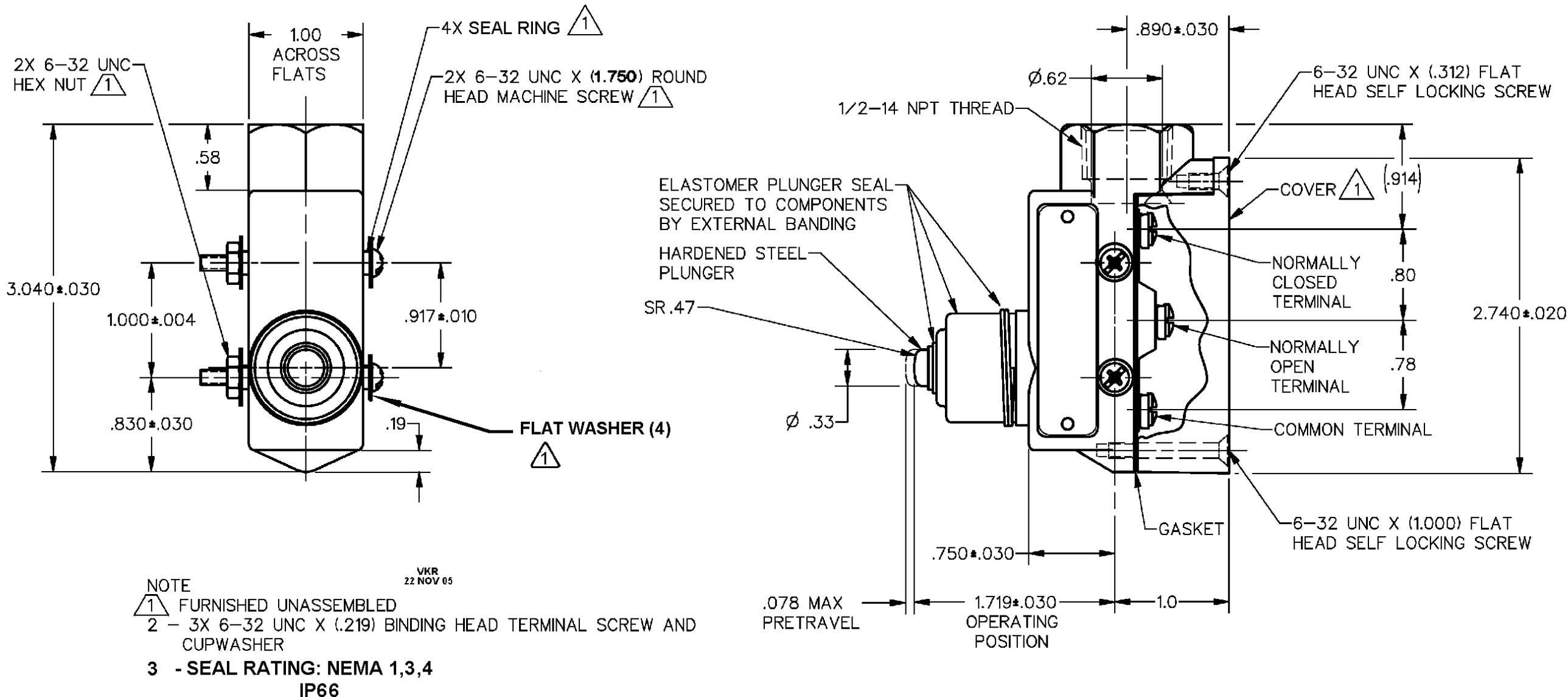
MICRO SWITCH
a Honeywell Division

SWITCH - ENCLOSED

CATALOG LISTING
BZE6-2RN

FED. MFG. CODE 91929

CATALOG LISTING
BZE6-2RN
 REPLACES
 ISSUE **M**
15
 PSR 29AUG07
 CHECK 29AUG07
 RELEASE NO.
 REVISIONS
 A 00-73736
 S A V 5 OCT 92
 B 00-73655
 S M 21 APR 93
 C 00-77179A
 K D R 17 FEB 94
 D 0017057
 VKR 22 NOV 05
 E 0023923
 RKP 21 AUG 06
 F 0025947
 KNS 30 OCT 06
 G 0033014
 BS 29 AUG 07
 BP 22 NOV 05
 CHECK 22 NOV 05
 S A V 5 OCT 92
 CHECK 5 OCT 92
 DRAWN
RASTER



THIS DRAWING COVERS A PROPRIETARY ITEM AND IS THE PROPERTY OF MICRO SWITCH, A DIVISION OF HONEYWELL. THIS DRAWING IS NOT TO BE COPIED OR USED WITHOUT THE APPROVAL OF MICRO SWITCH		THIRD ANGLE PROJECTION
CHARACTERISTICS	ELECTRICAL DATA	SCALE FULL
OPERATING FORCE ———— 9-24 OZ	CONTACT ARRANGEMENT S P D T	DO NOT SCALE PRINT
RELEASE FORCE ———— 4 OZ MIN	L74 15A 125, 250 OR 480 VAC 2A 600 VAC 1/4HP 125 VAC, 1/4HP 250 VAC 1/2A 125 VDC, 1/4A 250 VDC CE 1.5A, 240 Vac	UNLESS OTHERWISE SPECIFIED TOLERANCES ARE
DIFFERENTIAL TRAVEL ———— .002 MAX		ONE PLACE (.0) ±.030
OVERTRAVEL ———— .219 MIN		TWO PLACE (.00) ±.015
BASIC SWITCH REPLACEMENT ——— BZ-2RQ77		THREE PLACE (.000) ±.005
		ANGLES ±
		WEIGHT .56 LB

ANSI Y14.5M-1982 APPLIES