

To our customers,

Old Company Name in Catalogs and Other Documents

On April 1st, 2010, NEC Electronics Corporation merged with Renesas Technology Corporation, and Renesas Electronics Corporation took over all the business of both companies. Therefore, although the old company name remains in this document, it is a valid Renesas Electronics document. We appreciate your understanding.

Renesas Electronics website: <http://www.renesas.com>

April 1st, 2010
Renesas Electronics Corporation

Issued by: Renesas Electronics Corporation (<http://www.renesas.com>)

Send any inquiries to <http://www.renesas.com/inquiry>.

Notice

1. All information included in this document is current as of the date this document is issued. Such information, however, is subject to change without any prior notice. Before purchasing or using any Renesas Electronics products listed herein, please confirm the latest product information with a Renesas Electronics sales office. Also, please pay regular and careful attention to additional and different information to be disclosed by Renesas Electronics such as that disclosed through our website.
2. Renesas Electronics does not assume any liability for infringement of patents, copyrights, or other intellectual property rights of third parties by or arising from the use of Renesas Electronics products or technical information described in this document. No license, express, implied or otherwise, is granted hereby under any patents, copyrights or other intellectual property rights of Renesas Electronics or others.
3. You should not alter, modify, copy, or otherwise misappropriate any Renesas Electronics product, whether in whole or in part.
4. Descriptions of circuits, software and other related information in this document are provided only to illustrate the operation of semiconductor products and application examples. You are fully responsible for the incorporation of these circuits, software, and information in the design of your equipment. Renesas Electronics assumes no responsibility for any losses incurred by you or third parties arising from the use of these circuits, software, or information.
5. When exporting the products or technology described in this document, you should comply with the applicable export control laws and regulations and follow the procedures required by such laws and regulations. You should not use Renesas Electronics products or the technology described in this document for any purpose relating to military applications or use by the military, including but not limited to the development of weapons of mass destruction. Renesas Electronics products and technology may not be used for or incorporated into any products or systems whose manufacture, use, or sale is prohibited under any applicable domestic or foreign laws or regulations.
6. Renesas Electronics has used reasonable care in preparing the information included in this document, but Renesas Electronics does not warrant that such information is error free. Renesas Electronics assumes no liability whatsoever for any damages incurred by you resulting from errors in or omissions from the information included herein.
7. Renesas Electronics products are classified according to the following three quality grades: “Standard”, “High Quality”, and “Specific”. The recommended applications for each Renesas Electronics product depends on the product’s quality grade, as indicated below. You must check the quality grade of each Renesas Electronics product before using it in a particular application. You may not use any Renesas Electronics product for any application categorized as “Specific” without the prior written consent of Renesas Electronics. Further, you may not use any Renesas Electronics product for any application for which it is not intended without the prior written consent of Renesas Electronics. Renesas Electronics shall not be in any way liable for any damages or losses incurred by you or third parties arising from the use of any Renesas Electronics product for an application categorized as “Specific” or for which the product is not intended where you have failed to obtain the prior written consent of Renesas Electronics. The quality grade of each Renesas Electronics product is “Standard” unless otherwise expressly specified in a Renesas Electronics data sheets or data books, etc.
 - “Standard”: Computers; office equipment; communications equipment; test and measurement equipment; audio and visual equipment; home electronic appliances; machine tools; personal electronic equipment; and industrial robots.
 - “High Quality”: Transportation equipment (automobiles, trains, ships, etc.); traffic control systems; anti-disaster systems; anti-crime systems; safety equipment; and medical equipment not specifically designed for life support.
 - “Specific”: Aircraft; aerospace equipment; submersible repeaters; nuclear reactor control systems; medical equipment or systems for life support (e.g. artificial life support devices or systems), surgical implantations, or healthcare intervention (e.g. excision, etc.), and any other applications or purposes that pose a direct threat to human life.
8. You should use the Renesas Electronics products described in this document within the range specified by Renesas Electronics, especially with respect to the maximum rating, operating supply voltage range, movement power voltage range, heat radiation characteristics, installation and other product characteristics. Renesas Electronics shall have no liability for malfunctions or damages arising out of the use of Renesas Electronics products beyond such specified ranges.
9. Although Renesas Electronics endeavors to improve the quality and reliability of its products, semiconductor products have specific characteristics such as the occurrence of failure at a certain rate and malfunctions under certain use conditions. Further, Renesas Electronics products are not subject to radiation resistance design. Please be sure to implement safety measures to guard them against the possibility of physical injury, and injury or damage caused by fire in the event of the failure of a Renesas Electronics product, such as safety design for hardware and software including but not limited to redundancy, fire control and malfunction prevention, appropriate treatment for aging degradation or any other appropriate measures. Because the evaluation of microcomputer software alone is very difficult, please evaluate the safety of the final products or system manufactured by you.
10. Please contact a Renesas Electronics sales office for details as to environmental matters such as the environmental compatibility of each Renesas Electronics product. Please use Renesas Electronics products in compliance with all applicable laws and regulations that regulate the inclusion or use of controlled substances, including without limitation, the EU RoHS Directive. Renesas Electronics assumes no liability for damages or losses occurring as a result of your noncompliance with applicable laws and regulations.
11. This document may not be reproduced or duplicated, in any form, in whole or in part, without prior written consent of Renesas Electronics.
12. Please contact a Renesas Electronics sales office if you have any questions regarding the information contained in this document or Renesas Electronics products, or if you have any other inquiries.

(Note 1) “Renesas Electronics” as used in this document means Renesas Electronics Corporation and also includes its majority-owned subsidiaries.

(Note 2) “Renesas Electronics product(s)” means any product developed or manufactured by or for Renesas Electronics.

MONOLITHIC H BRIDGE DRIVER CIRCUIT

μPD16805 is the monolithic and H bridge driver IC which consists of a CMOS control circuit and a MOS output stage. As compared with the driver of a MOS process using the conventional bipolar transistor, reduction of consumption current and power consumption is possible. With this product, clockwise and the inversion, and the brake function are built in, and it is the best for the drive circuit of the motor for film winding up of a camera, and the motor for auto focus/zooms.

The package has adopted the 16 pin SOP and the 24 pin TSSOP, and corresponds to reduction of mounting area and mounting height. This product corresponds to the drive current to 1.0 A (DC).

FEATURES

- High drive current
 $I_{D(pulse)} = 4.2 \text{ A MAX. at } PW \leq 200 \text{ ms (single pulse)}$
 $I_{D(DC)} = 1.0 \text{ A (DC)}$
- Low-ON resistance (sum of the upper and lower sides MOS FET)
 $R_{ON} = 0.4 \Omega \text{ TYP. at } I_D = 1.0 \text{ A}$
- Standby function that turns OFF charge pump circuit
- Compact surface mount package
 16-pin plastic SOP (1.27 mm pitch)
 24-pin plastic TSSOP (0.5 mm pitch)

ORDERING INFORMATION

Part Number	Package
μPD16805GS	16-pin plastic SOP (7.64 mm (300))
μPD16805MA-6A5	24-pin plastic TSSOP (5.72 mm (225))

The information in this document is subject to change without notice.

ABSOLUTE MAXIMUM RATINGS

(T_A = 25°C, Glass epoxy substrate 100 mm × 100 mm × 1 mm, 15% copper foil)

Parameter	Symbol	Conditions	Rating	Unit
Supply voltage	V _{DD}	Control section	-0.5 to +6.5/+8.0 ^{Note}	V
	V _M	Motor section	-0.5 to +6.5/+8.0 ^{Note}	V
V _G pin applied voltage	V _G		15	V
Input voltage	V _{IN}		-0.5 to V _{DD} +0.5	V
H bridge drive current	I _{D(DC)}	DC	1.0	A
H bridge drive current	I _{D(pulse)}	PW ≤ 200 ms (single pulse)	4.2	A/ch
Power consumption	P _T	GS	1.0	W
		MA-6A5	0.7	W
Peak junction temperature	T _{CH(MAX)}		150	°C
Storage temperature	T _{stg}		-55 to +150	°C

Note When the charge pump is used/when V_G power-source supply from the exterior.

RECOMMENDED OPERATING CONDITIONS

(T_A = 25°C, Glass epoxy substrate 100 mm × 100 mm × 1 mm, 15% copper foil)

Parameter	Symbol	Conditions	MIN.	TYP.	MAX.	Unit
Supply voltage	V _{DD}	During normal operation	3.0		6.0/7.5 ^{Note 2}	V
		All input pins are low	2.5			
	V _M		0.5			V
Charge pump capacitance	C ₁ to C ₃			0.01		μF
V _G pin applied voltage ^{Note 1}	V _G	At the time of external input	11		14	V
Operating temperature	T _A	Ambient temperature	-30		60	°C

- Notes**
1. When voltage is impressed to V_G terminal from the exterior
 2. When the charge pump is used/when V_G power-source supply from the exterior.

ELECTRICAL SPECIFICATIONS

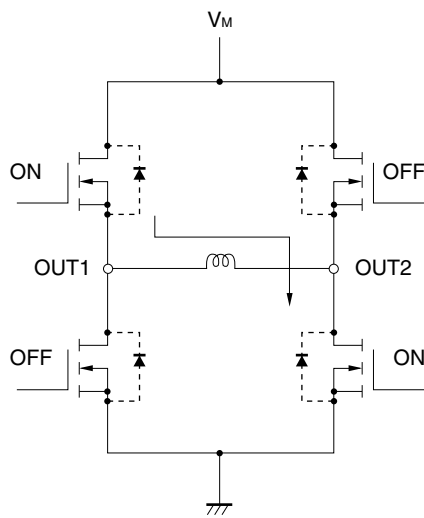
(Unless otherwise specified, V_{DD} = recommended operating condition, V_M = 0.5 to 6.0 V)

Parameter	Symbol	Conditions	MIN.	TYP.	MAX.	Unit
V _{DD} pin current	I _{DD1}	V _{DD} = 5 V, T _A = Recommended conditions Control pins at high level		0.6	2.0	mA
	I _{DD2}	V _{DD} = 5 V, T _A = Recommended conditions Control pins at low level		0.3	10	μA
V _M pin current	I _{M1}	T _A = Recommended conditions Control pins at low level		0.1	10	μA
	I _{M2}	Control pins at low level			1.0	μA
H bridge ON resistance	R _{ON}	I _D = 1 A, V _{DD} = V _M = 5 V C ₁ = C ₂ = C ₃ = 0.01 μF sum of the upper and lower sides MOSFET		0.4	0.6	Ω
High-level input voltage	V _{IH}	T _A = Recommended conditions	0.6 × V _{DD}			V
Low-level input voltage	V _{IL}	T _A = Recommended conditions			0.2 × V _{DD}	V
Charge pump circuit turn-ON time	t _{ONG}	V _{DD} = V _M = 5 V, T _A = Recommended conditions		0.5	1.0	ms
H bridge output circuit turn-ON time	t _{ONH}	C ₁ = C ₂ = C ₃ = 0.01 μF I _D = 1 A			10	μs
H bridge output circuit turn-OFF time	t _{OFFH}				5.0	μs
Control pin input pull-down resistor	R _{IND}		35	50	65	kΩ
		T _A = Recommended conditions	25		75	kΩ

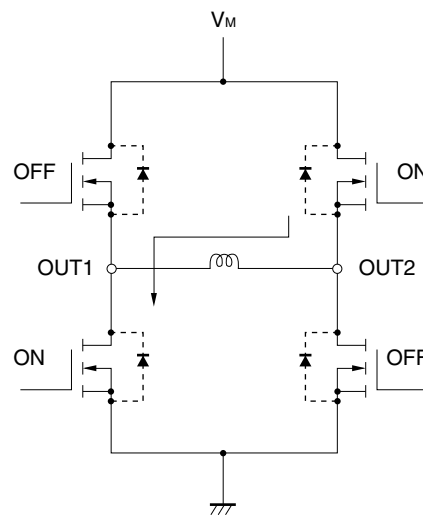
FUNCTION TABLE

Input Signal				Function
IN1	IN2	INC	STB	
H	H	H	H	Brake mode
H	L	H	H	Forward mode
L	H	H	H	Reverse mode
L	L	H	H	Stop mode
X	X	L	H	Stop mode
X	X	X	L	Standby mode

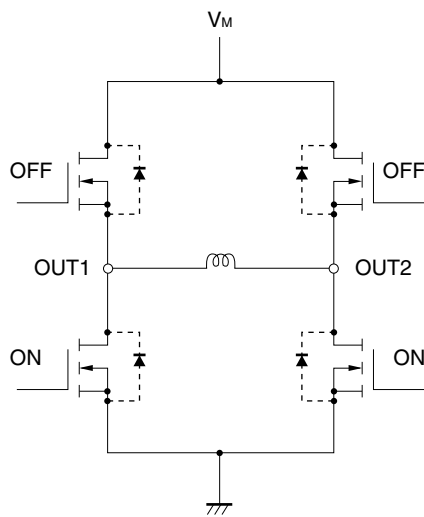
Forward mode



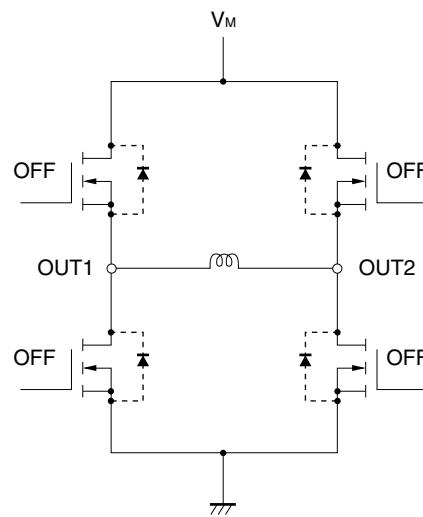
Reverse mode



Brake mode



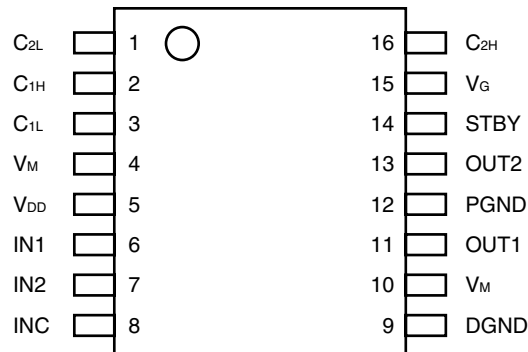
Stop mode



Terminal function

• μPD16805GS

Package: 16 pin plastic SOP

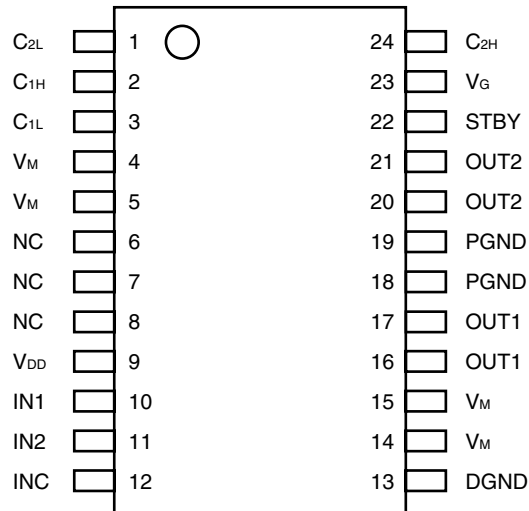


Terminal No.	Terminal name	Terminal function
1	C _{2L}	The capacitor connection terminal for charge pumps
2	C _{1H}	The capacitor connection terminal for charge pumps
3	C _{1L}	The capacitor connection terminal for charge pumps
4	V _M	Motor block supply voltage input terminal
5	V _{DD}	Control block supply voltage input terminal
6	IN1	Input terminal
7	IN2	Input terminal
8	INC	Input terminal
9	DGND	Control block GND terminal
10	V _M	Motor block supply voltage input terminal
11	OUT1	Output terminal
12	PGND	Output block GND terminal
13	OUT2	Output terminal
14	STBY	Standby terminal
15	V _G	Gate input terminal
16	C _{2H}	The capacitor connection terminal for charge pumps

Terminal function

- μPD16805MA-6A5

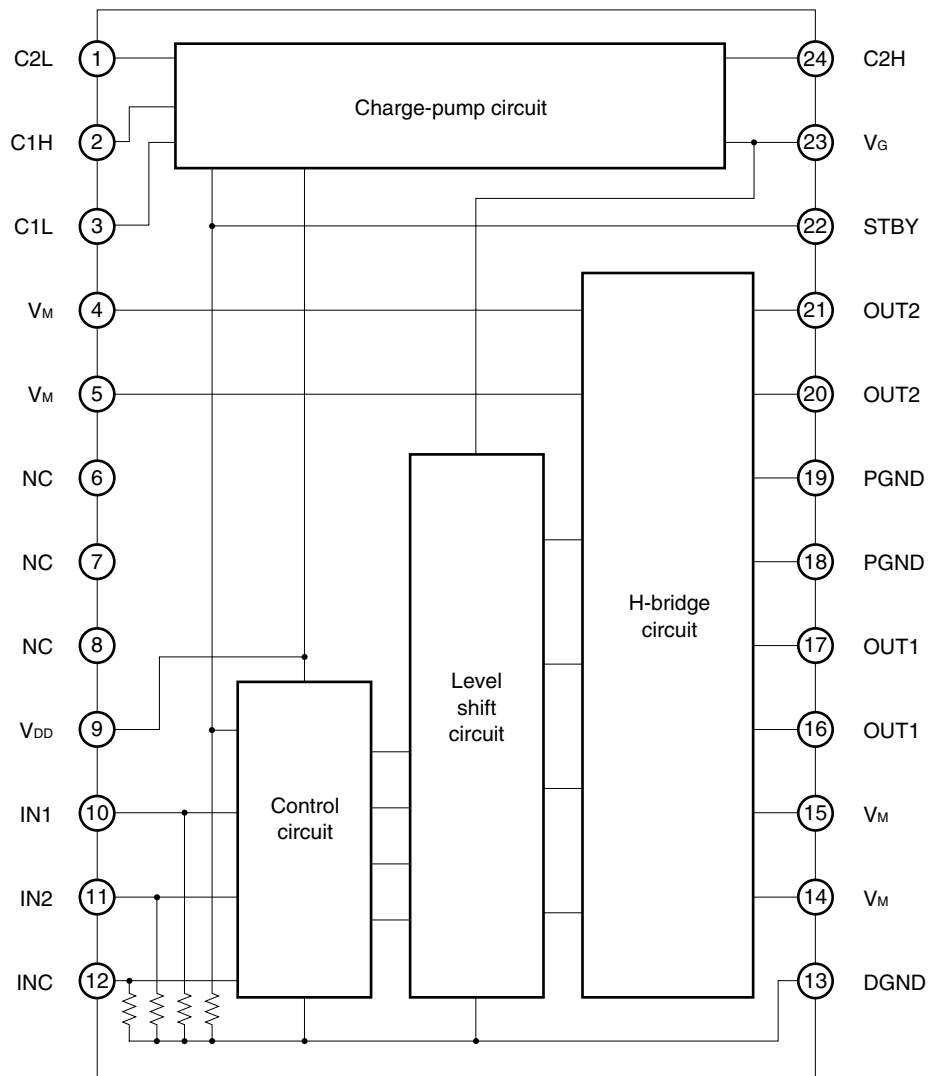
Package: 24 pin plastic TSSOP



Terminal No.	Terminal name	Terminal function
1	C _{2L}	The capacitor connection terminal for charge pumps
2	C _{1H}	The capacitor connection terminal for charge pumps
3	C _{1L}	The capacitor connection terminal for charge pumps
4	V _M	Motor block supply voltage input terminal
5	V _M	Motor block supply voltage input terminal
6	NC	no used terminal
7	NC	no used terminal
8	NC	no used terminal
9	V _{DD}	Control block supply voltage input terminal
10	IN1	Input terminal
11	IN2	Input terminal
12	INC	Input terminal
13	DGND	Control block GND terminal
14	V _M	Motor block supply voltage input terminal
15	V _M	Motor block supply voltage input terminal
16	OUT1	Output terminal
17	OUT1	Output terminal
18	PGND	Output block GND terminal
19	PGND	Output block GND terminal
20	OUT2	Output terminal
21	OUT2	Output terminal
22	STBY	Standby terminal
23	V _G	Gate input terminal
24	C _{2H}	The capacitor connection terminal for charge pumps

Notice Please connect all the terminals that have plural. (V_M, OUT1, OUT2, PGND)
No used terminals are connected to ground.

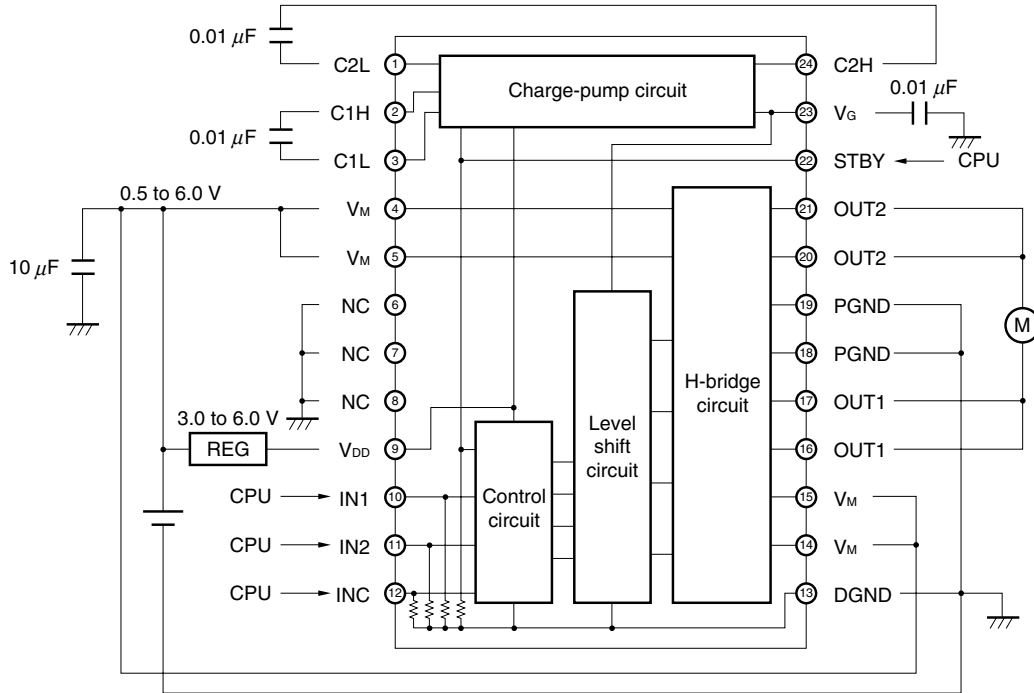
BLOCK DIAGRAM



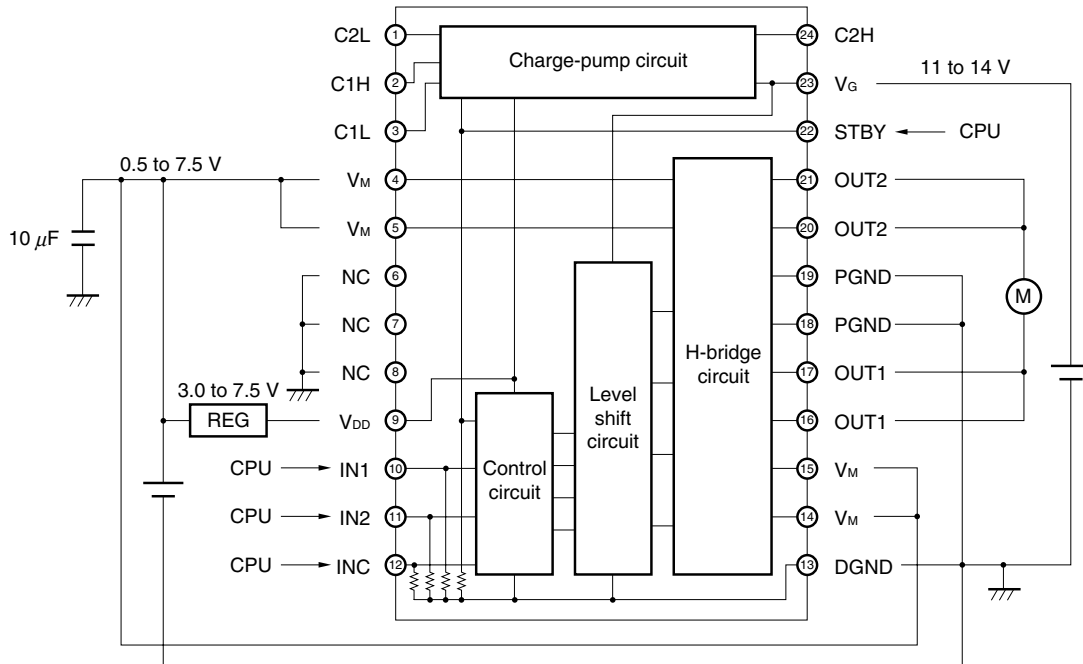
The connection diagram of μPD16805MA-6A5 shows the block diagram. It of μPD16805GS does not change, except that there are not NC and plural terminals. The plural terminal should connect all terminals.

The example of standard connection

(1) using charge pump circuit



(2) unusing charge pump circuit

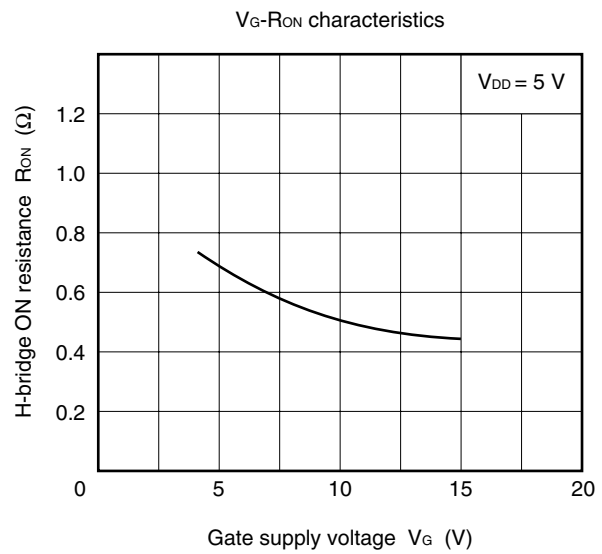
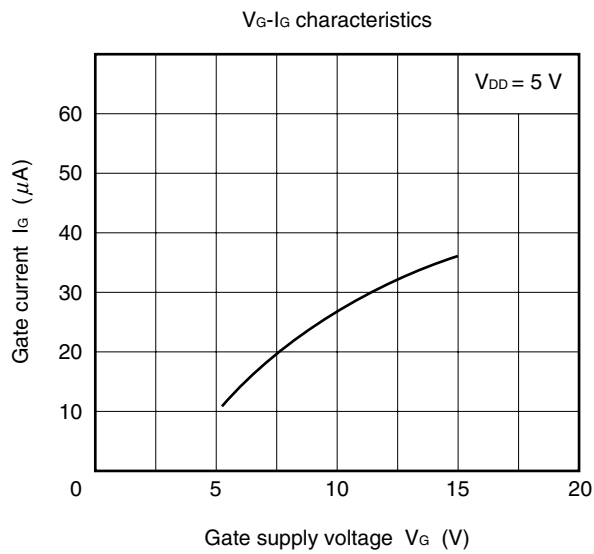
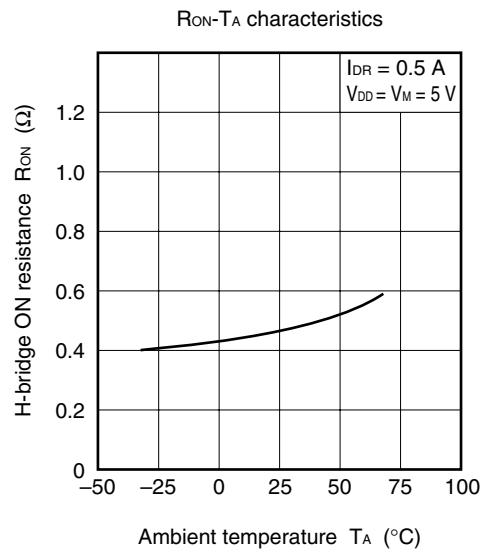
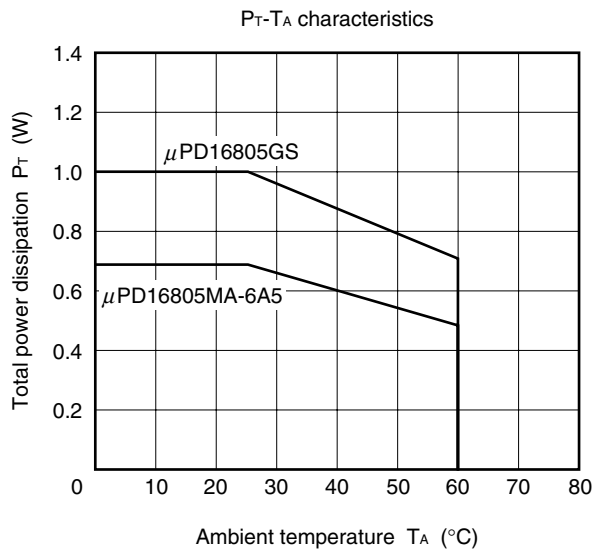


The connection diagram of μPD16805MA-6A5 is shown by the inside of a figure.

This circuit diagrams are an example of connection, and are not intended for use in actual design-ins.

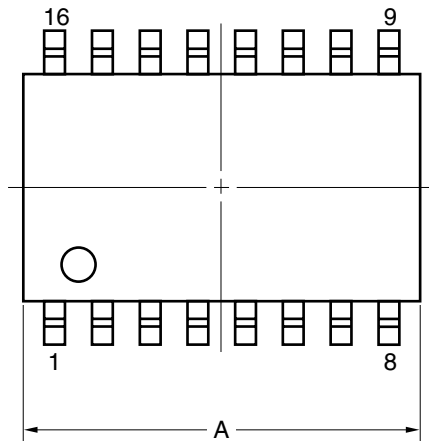
Moreover, it recommends inserting an about several μF capacitor between VM-GND for surge voltage protection of the output stage.

TYPICAL CHARACTERISTICS ($T_A = 25^\circ\text{C}$)

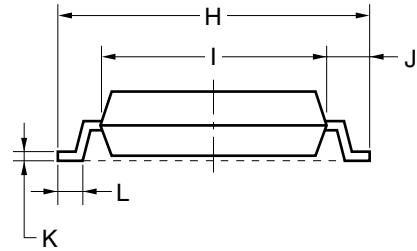
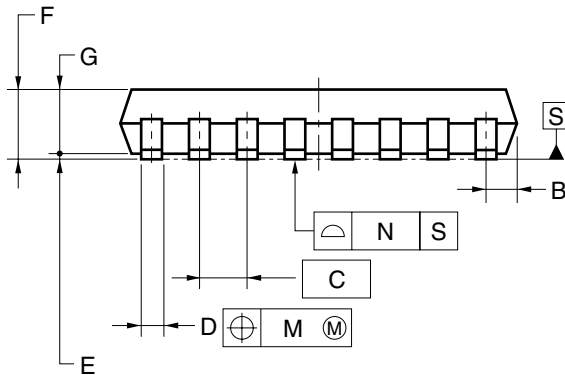
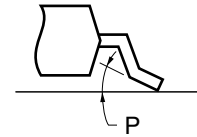


PACKAGE DIMENSION (μPD16805GS)

16-PIN PLASTIC SOP (7.62 mm (300))



detail of lead end



NOTE

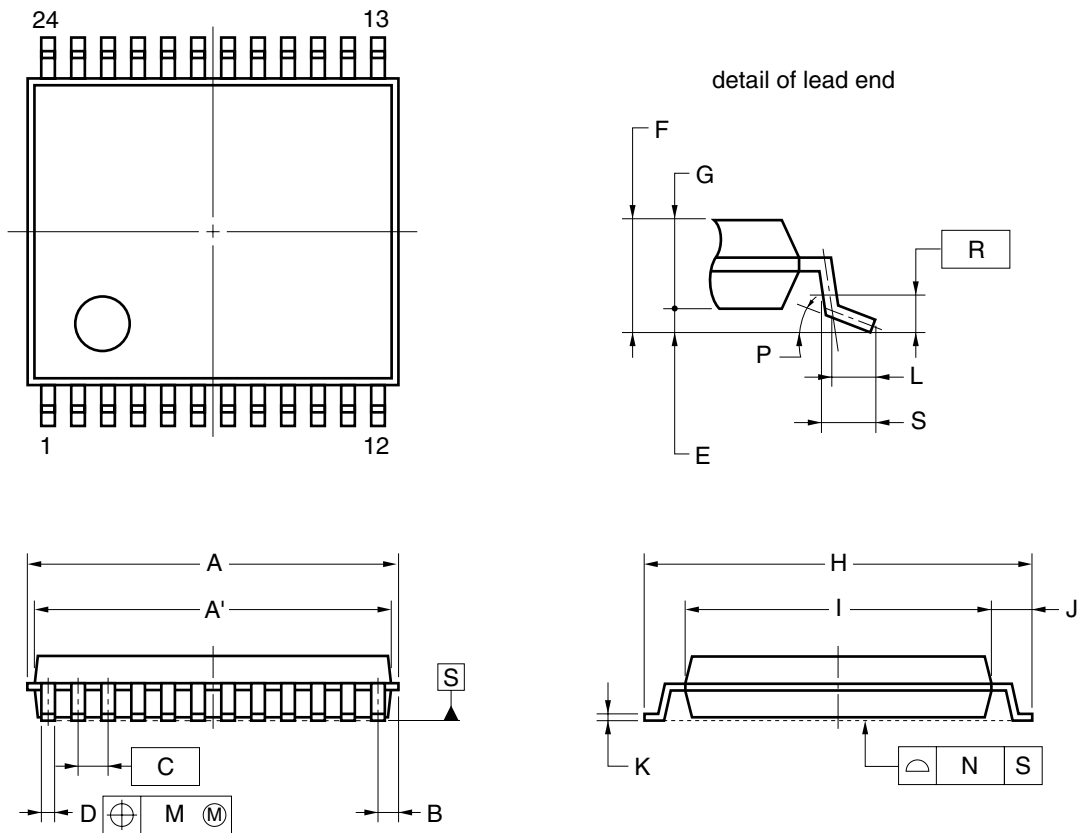
Each lead centerline is located within 0.12 mm of its true position (T.P.) at maximum material condition.

ITEM	MILLIMETERS
A	10.2±0.2
B	0.78 MAX.
C	1.27 (T.P.)
D	0.42 ^{+0.08} _{-0.07}
E	0.1±0.1
F	1.65±0.15
G	1.55
H	7.7±0.3
I	5.6±0.2
J	1.1±0.2
K	0.22 ^{+0.08} _{-0.07}
L	0.6±0.2
M	0.12
N	0.10
P	3° ^{+7°} _{-3°}

P16GM-50-300B-6

PACKAGE DIMENSION (μPD16805MA-6A5)

24-PIN PLASTIC TSSOP (5.72 mm (225))



NOTE

Each lead centerline is located within 0.10 mm of its true position (T.P.) at maximum material condition.

ITEM	MILLIMETERS
A	6.65±0.10
A'	6.5±0.1
B	0.575
C	0.5 (T.P.)
D	0.22±0.05
E	0.1±0.05
F	1.2 MAX.
G	1.0±0.05
H	6.4±0.1
I	4.4±0.1
J	1.0±0.1
K	0.17±0.025
L	0.5
M	0.10
N	0.08
P	3°+5° -3°
R	0.25
S	0.6±0.15

P24MA-50-6A5

RECOMMENDED SOLDERING CONDITIONS

It is recommended to solder this under the conditions described below.

For soldering methods and conditions other than those listed below, consult NEC.

For details of the recommended soldering conditions, refer to information document “**Semiconductor Device Mounting Technology Manual**”.

μPD16805GS

Soldering Method	Soldering Conditions	Recommended Conditions Symbol
Infrared reflow	Peak package temperature: 235°C, Time: 30 seconds MAX. (210°C MIN.), Number of times: 2 MAX.	IR35-00-2
VPS	Peak package temperature: 215°C, Time: 40 seconds MAX. (200°C MIN.), Number of times: 2 MAX.	VP15-00-2

The number of storage days at 25°C, 65% RH after the dry pack has been opened

μPD16805MA-6A5

Soldering Method	Soldering Conditions	Recommended Conditions Symbol
Infrared reflow	Package peak temperature: 235°C; Duration: 30 sec. max. (210°C or above): Number of times: Max. 3; Time limit: None ^{Note} Flux: Rosin type flux with reduced chlorine content (chlorine 0.2 Wt% or less) is recommended.	IR35-00-3
VPS	Package peak temperature: 215°C; Duration: 40 sec. max. (200°C or above): Number of times:3; Time limit: None ^{Note} Flux: Rosin type flux with reduced chlorine content (chlorine 0.2 Wt% or less) is recommended.	VP15-00-3
Wave soldering	Package peak temperature: 260°C or less, Duration: 10 sec. Max., Preparatory heating temperature: 120°C or less; Number of times: 1 Flux: Rosin type flux with reduced chlorine content (chlorine 0.2 Wt% or less) is recommended.	WS60-00-1

Note The number of storage days at 25°C, 65% RH after the dry pack has been opened

Caution Use of more than one soldering method should be avoided.

[MEMO]

[MEMO]

[MEMO]

NOTES FOR CMOS DEVICES**① PRECAUTION AGAINST ESD FOR SEMICONDUCTORS**

Note:

Strong electric field, when exposed to a MOS device, can cause destruction of the gate oxide and ultimately degrade the device operation. Steps must be taken to stop generation of static electricity as much as possible, and quickly dissipate it once, when it has occurred. Environmental control must be adequate. When it is dry, humidifier should be used. It is recommended to avoid using insulators that easily build static electricity. Semiconductor devices must be stored and transported in an anti-static container, static shielding bag or conductive material. All test and measurement tools including work bench and floor should be grounded. The operator should be grounded using wrist strap. Semiconductor devices must not be touched with bare hands. Similar precautions need to be taken for PW boards with semiconductor devices on it.

② HANDLING OF UNUSED INPUT PINS FOR CMOS

Note:

No connection for CMOS device inputs can be cause of malfunction. If no connection is provided to the input pins, it is possible that an internal input level may be generated due to noise, etc., hence causing malfunction. CMOS devices behave differently than Bipolar or NMOS devices. Input levels of CMOS devices must be fixed high or low by using a pull-up or pull-down circuitry. Each unused pin should be connected to V_{DD} or GND with a resistor, if it is considered to have a possibility of being an output pin. All handling related to the unused pins must be judged device by device and related specifications governing the devices.

③ STATUS BEFORE INITIALIZATION OF MOS DEVICES

Note:

Power-on does not necessarily define initial status of MOS device. Production process of MOS does not define the initial operation status of the device. Immediately after the power source is turned ON, the devices with reset function have not yet been initialized. Hence, power-on does not guarantee out-pin levels, I/O settings or contents of registers. Device is not initialized until the reset signal is received. Reset operation must be executed immediately after power-on for devices having reset function.

- **The information in this document is current as of June, 2001. The information is subject to change without notice. For actual design-in, refer to the latest publications of NEC's data sheets or data books, etc., for the most up-to-date specifications of NEC semiconductor products. Not all products and/or types are available in every country. Please check with an NEC sales representative for availability and additional information.**
 - No part of this document may be copied or reproduced in any form or by any means without prior written consent of NEC. NEC assumes no responsibility for any errors that may appear in this document.
 - NEC does not assume any liability for infringement of patents, copyrights or other intellectual property rights of third parties by or arising from the use of NEC semiconductor products listed in this document or any other liability arising from the use of such products. No license, express, implied or otherwise, is granted under any patents, copyrights or other intellectual property rights of NEC or others.
 - Descriptions of circuits, software and other related information in this document are provided for illustrative purposes in semiconductor product operation and application examples. The incorporation of these circuits, software and information in the design of customer's equipment shall be done under the full responsibility of customer. NEC assumes no responsibility for any losses incurred by customers or third parties arising from the use of these circuits, software and information.
 - While NEC endeavours to enhance the quality, reliability and safety of NEC semiconductor products, customers agree and acknowledge that the possibility of defects thereof cannot be eliminated entirely. To minimize risks of damage to property or injury (including death) to persons arising from defects in NEC semiconductor products, customers must incorporate sufficient safety measures in their design, such as redundancy, fire-containment, and anti-failure features.
 - NEC semiconductor products are classified into the following three quality grades:
 - "Standard", "Special" and "Specific". The "Specific" quality grade applies only to semiconductor products developed based on a customer-designated "quality assurance program" for a specific application. The recommended applications of a semiconductor product depend on its quality grade, as indicated below. Customers must check the quality grade of each semiconductor product before using it in a particular application.
 - "Standard": Computers, office equipment, communications equipment, test and measurement equipment, audio and visual equipment, home electronic appliances, machine tools, personal electronic equipment and industrial robots
 - "Special": Transportation equipment (automobiles, trains, ships, etc.), traffic control systems, anti-disaster systems, anti-crime systems, safety equipment and medical equipment (not specifically designed for life support)
 - "Specific": Aircraft, aerospace equipment, submersible repeaters, nuclear reactor control systems, life support systems and medical equipment for life support, etc.
- The quality grade of NEC semiconductor products is "Standard" unless otherwise expressly specified in NEC's data sheets or data books, etc. If customers wish to use NEC semiconductor products in applications not intended by NEC, they must contact an NEC sales representative in advance to determine NEC's willingness to support a given application.

(Note)

- (1) "NEC" as used in this statement means NEC Corporation and also includes its majority-owned subsidiaries.
- (2) "NEC semiconductor products" means any semiconductor product developed or manufactured by or for NEC (as defined above).