



Resin Sealed SMD Crystal

Model: FQ5032 SERIES

RoHS Compliant / Pb Free

Rev. 6/19/2014

Page 1 of 2

http://www.foxonline.com/need_a_sample.htm

Need a Sample®

FEATURES

- Surface Mount Resin Sealed
- Low Cost
- Ultra Low Profile
- Fundamental to 48.000 MHz
- Tape and Reel (1,000 pcs STD)

OPTIONS

- Tolerances to ± 20 PPM
- Stabilities to ± 20 PPM
- Temp Range to $-40^{\circ}\text{C} \sim +85^{\circ}\text{C}$

• PART NUMBER

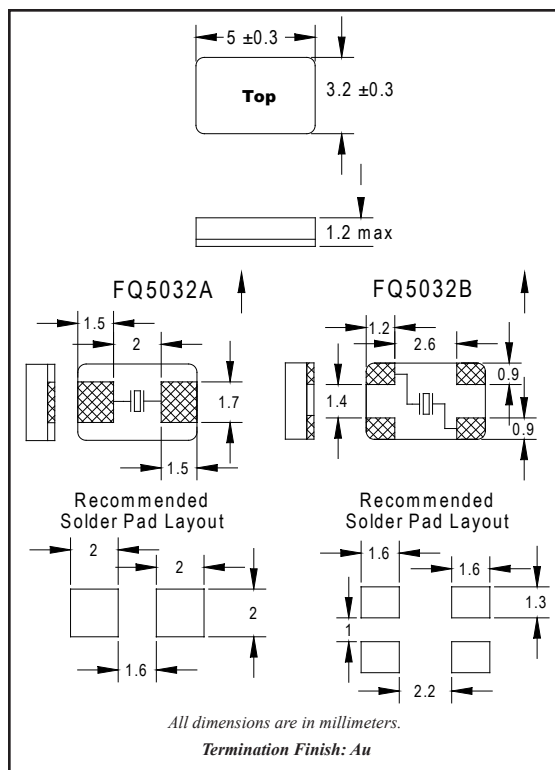
| Part Number | Model Number | Frequency Range (MHz) |
|----------------------|--------------|-----------------------|
| 738A-Frequency-xxxxx | FQ5032A | 8.000 ~ 60.000 |
| 738B-Frequency-xxxxx | FQ5032B | 8.000 ~ 60.000 |

• STANDARD SPECIFICATIONS¹

| PARAMETERS | MAX (unless otherwise noted) |
|--|---|
| Frequency Range (Fo) | 8.000 ~ 60.000 MHz |
| Frequency Tolerance @ 25°C | ± 30 PPM ¹ |
| Frequency Stability, ref @ 25°C Over Operating Temp Range | ± 30 PPM ¹ |
| Temperature Range | |
| Operating (TOPR) | $0^{\circ}\text{C} \sim +70^{\circ}\text{C}$ ¹ |
| Storage (TSTG) | $-40^{\circ}\text{C} \sim +85^{\circ}\text{C}$ |
| Shunt Capacitance (Co) | 7 pF |
| Load Capacitance (CL) | 10 pF ~ Series (Customer Specified) |
| Drive Level | 0.5 mW |
| Aging per year | ± 5 PPM |

¹ Other tolerances, stabilities & operating temperature ranges available. Consult Fox Customer Service for specific requirements.

NOTE: The above specifications, having been carefully prepared and checked, is believed to be accurate at the time of publication; however, no responsibility is assumed by Fox Electronics for inaccuracies. All specifications subject to change without notice.



| Frequency Range (MHz) | Operating Mode | Max ESR Ω |
|-----------------------|----------------|------------------|
| 8.000000 ~ 11.999999 | Fundamental | 100 |
| 12.000000 ~ 16.000 | Fundamental | 80 |
| 16.000001 ~ 48.000 | Fundamental | 50 |
| 48.000001 ~ 60.000 | 3rd OT | 100 |

Resin Sealed SMD Crystal



Model: FQ5032 SERIES

RoHS Compliant / Pb Free

Rev. 6/19/2014

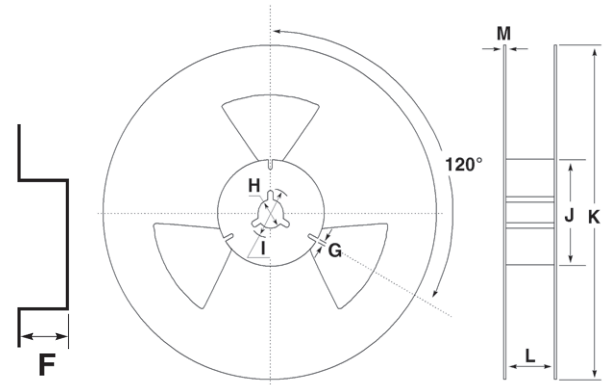
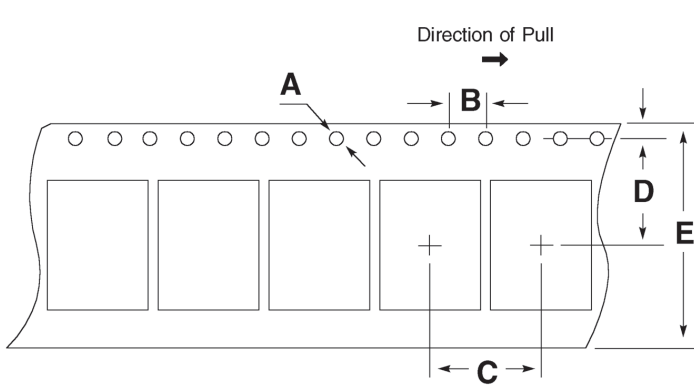
Page 2 of 2

http://www.foxonline.com/need_a_sample.htm



| • TAPE SPECIFICATIONS (millimeters) | | | | | | | |
|-------------------------------------|------|-----|-----|-----|------|-----|--------------|
| MODEL | A | B | C | D | E | F | STD Reel QTY |
| FQ5032 | ∅1.5 | 4.0 | 8.0 | 5.5 | 12.0 | 1.5 | 1,000 |

| • REEL SPECIFICATIONS (millimeters) | | | | | | | |
|-------------------------------------|-----|-----|-----|-----|------|------|-----|
| MODEL | G | H | I | J | K | L | M |
| FQ5032 | 2.0 | ∅13 | ∅21 | ∅62 | ∅180 | 13.5 | 2.0 |



All specifications subject to change without notice.

| • FQ5032 Standard Crystals | | | | | |
|----------------------------|-----------|------------|------------|--------------|------|
| Part Number | Frequency | Tolerance | Stability | Temp Range | CL |
| FQ5032B-10.000 | 10.000000 | +/- 30 ppm | +/- 30 ppm | 0 to +70 C | 20pF |
| FQ5032B-12.000 | 12.000000 | +/- 30 ppm | +/- 30 ppm | 0 to +70 C | 20pF |
| FQ5032B-16.000 | 16.000000 | +/- 30 ppm | +/- 30 ppm | 0 to +70 C | 20pF |
| FQ5032B-20.000 | 20.000000 | +/- 30 ppm | +/- 30 ppm | 0 to +70 C | 20pF |
| FQ5032B-24.000 | 24.000000 | +/- 30 ppm | +/- 30 ppm | 0 to +70 C | 20pF |
| FQ5032B-25.000 | 25.000000 | +/- 30 ppm | +/- 30 ppm | 0 to +70 C | 20pF |
| FQ5032BR-10.000 | 10.000000 | +/- 30 ppm | +/- 50 ppm | -40 to +85 C | 20pF |
| FQ5032BR-12.000 | 12.000000 | +/- 30 ppm | +/- 50 ppm | -40 to +85 C | 20pF |
| FQ5032BR-16.000 | 16.000000 | +/- 30 ppm | +/- 50 ppm | -40 to +85 C | 20pF |
| FQ5032BR-20.000 | 20.000000 | +/- 30 ppm | +/- 50 ppm | -40 to +85 C | 20pF |
| FQ5032BR-24.000 | 24.000000 | +/- 30 ppm | +/- 50 ppm | -40 to +85 C | 20pF |
| FQ5032BR-25.000 | 25.000000 | +/- 30 ppm | +/- 50 ppm | -40 to +85 C | 20pF |