

EFRP-G2400

2U 400W Server Power Supply

Features:

- 80PLUS® Gold Level Efficiency
- N+1 Redundant Design
- 0~50°C Working Temperature
- PMBus Support
- Small Form Factor



General Specification

- Input Range: 100 to 240 VAC, +/-10%
- Power Factor: > 0.99 minimum
- Efficiency: ≥92% (Power Module)
- Hold Up Time: 17ms @ 70% Load
- Short Circuit Protection
- Over Current Protection
- Over Voltage Protection
- No Load Operation
- MTBF >100,000 Hours@25°C
- Operating Temperature: 0 to 50 °C
- Operating Humidity: 20 to 90 %
- EMI/RFI: CE, FCC class B
- Safety: UL, TUV, CCC, CB, BSMI



Input and Output Characteristics

Input			Output					
Voltage	Frequency	Current	Load	+3.3V	+5V	+12V	-12V	+5VSB
100~240 VAC	47~63Hz	5.2~2.2A	Max.Load	20A	20A	32.8A	0.5A	2.5A
			Min.Load	0A	0A	2A	0A	0A

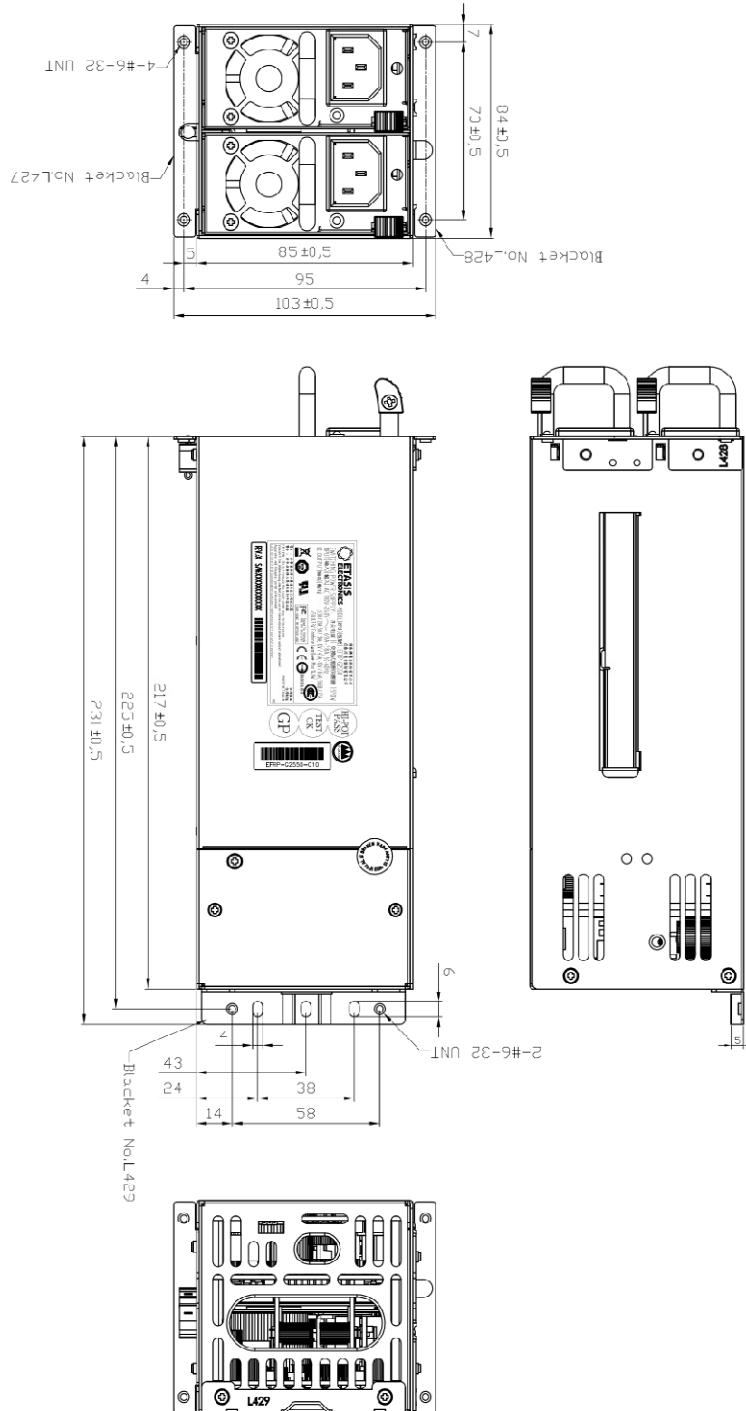
1. The +5 & +3.3 Volt total output shall not exceed 140W.

Ripple and Noise

Output	+3.3V	+5V	+12V	-12V	5Vsb
Load Regulation	±5%	± 5%	± 5%	± 5%	± 5%
Line Regulation	± 1%	± 1%	± 1%	± 1%	± 1%
Ripple & Noise	60mV	60mV	120mV	120mV	60mV

Mechanical Outline Drawing

Outline Dimension: 85x84x217(mm)



©ETASIS Electronic Corporation. All rights reserved. ETASIS Electronics Corporation reserves the right to make changes to their products, specification, or to discontinue any product and its service at anytime without notice. The information and specification from ETASIS is believed to be accurate and reliable. However, ETASIS assumes no responsibility for any business loss due to specification changes. ETASIS products are not designed to be used in system deemed to be critical, or in any system wherein failure or malfunction could result in injury or death.