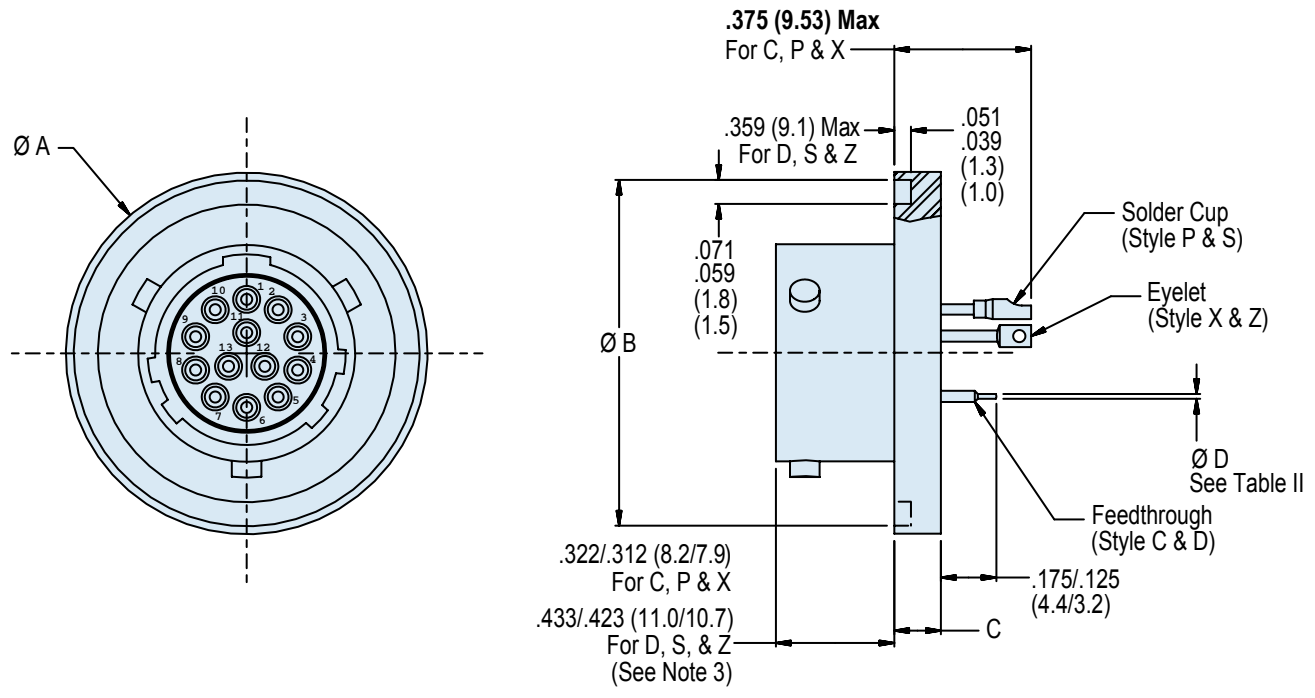
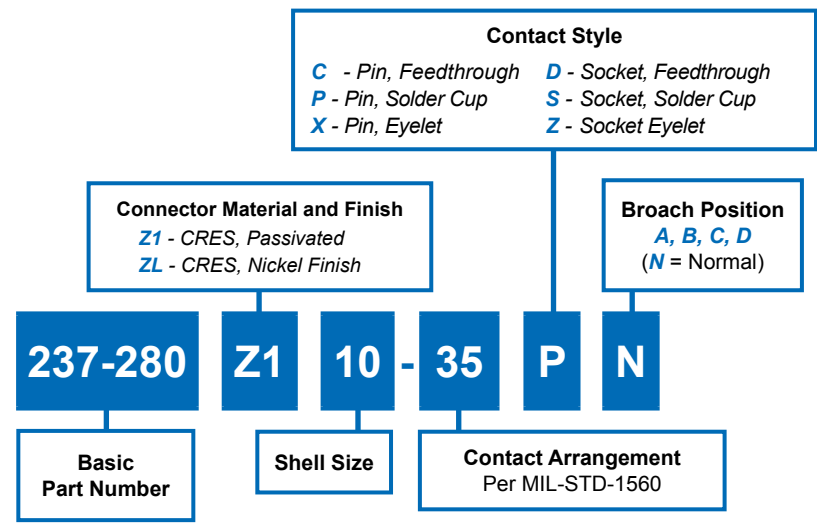




237-280
Special Weld Mount Hermetic Receptacle
MIL-DTL-38999 Series II Type (Similar to MS27478Y Series II)

B



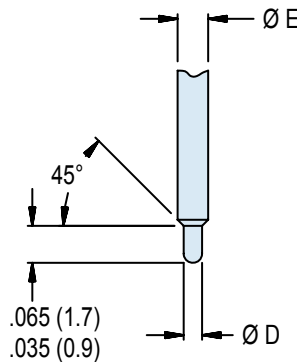
Dimensions in Inches (millimeters) are subject to change without notice.

237-280
Special Weld Mount Hermetic Receptacle
MIL-DTL-38999 Series II Type (Similar to MS27478Y Series II)



TABLE I: Connector Dimensions			
Shell Size	A Dia	B Dia	C Flange
08	.863/.851 (21.9/21.6)	.820/.808 (20.8/20.5)	.134/.118 (3.4/3.0)
10	.984/.972 (25.0/24.7)	.941/.929 (23.9/23.6)	.134/.118 (3.4/3.0)
12	1.106/1.094 (28.1/27.8)	1.063/1.051 (27.0/26.7)	.134/.118 (3.4/3.0)
14	1.232/1.220 (31.3/31.0)	1.189/1.177 (30.2/29.9)	.134/.118 (3.4/3.0)
16	1.358/1.346 (34.5/34.2)	1.315/1.303 (33.4/33.1)	.134/.118 (3.4/3.0)
18	1.445/1.433 (37.7/36.4)	1.402/1.390 (35.6/35.3)	.134/.118 (3.4/3.0)
20	1.591/1.579 (40.4/40.1)	1.547/1.535 (39.3/39.0)	.134/.118 (3.4/3.0)
22	1.732/1.720 (44.0/43.7)	1.689/1.677 (42.9/42.6)	.165/.149 (4.2/3.8)
24	1.898/1.886 (48.2/47.9)	1.854/1.842 (47.1/46.8)	.165/.149 (4.2/3.8)

TABLE II: Contact Size		
Contact Size	D Dia	E Dia
220	.011/.015 (0.28/0.38)	.0305/.0295 (0.77/0.75)
20	.024/.028 (0.61/0.71)	.041/.039 (1.04/0.99)
16	.0635/.0615 (1.61/1.56)	.0635/.0615 (1.61/1.56)
12	.095/.093 (2.41/2.36)	.095/.093 (2.41/2.36)
10	.126/.124 (3.20/3.15)	.126/.124 (3.20/3.15)



**For #22D and 20
 Contacts Only
 (#20 Inactive for New Design)**

APPLICATION NOTES

- | | |
|---|--|
| <p>1. Material/finish:
 Shell (Z1) – 304L CRES/passivate per ASTM A-697.
 Shell (ZL) – 304L CRES/nickel plate per DTL-38999.
 Contacts – 52 Ni-Alloy per AMS-I-23011 Class 2, MIL-DTL-45204 Type II, Class 1 (.00005 min thick).
 Insulator – full glass/N.A.
 Bayonets - 300 Series CRES/passivate.
 Seals – fluorosilicone blend elastomer/N.A.</p> | <p>2. Assembly identified with manufacturer's name and part number, space permitting.</p> <p>3. This area IAW MC27478 (MIL-DTL-38999, Series II).</p> <p>4. Performance Criteria IAW MIL-DTL-38999.</p> <p>5. Metric Dimensions (mm) in parentheses.</p> |
|---|--|

Dimensions in Inches (millimeters) are subject to change without notice.