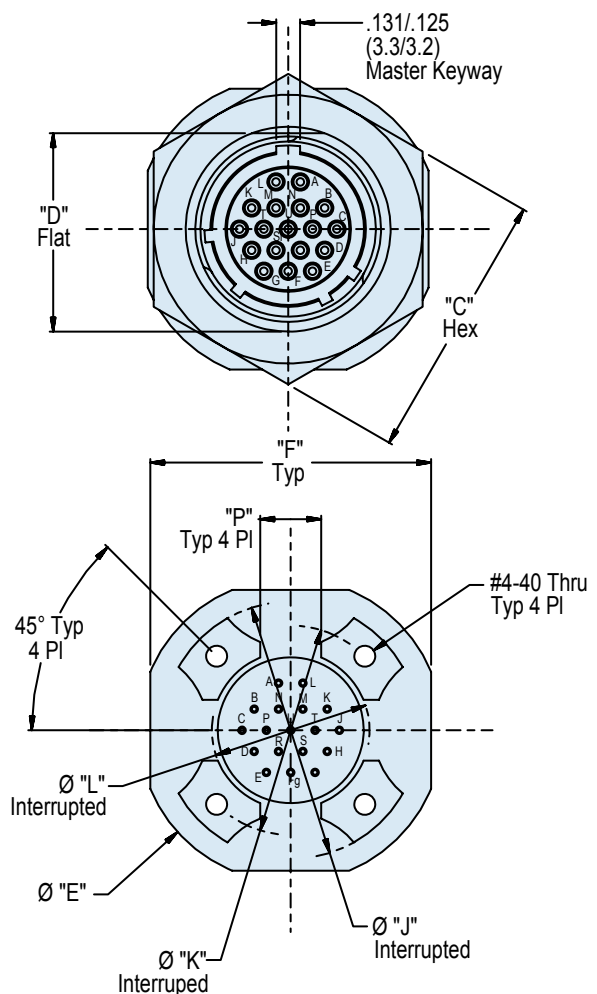
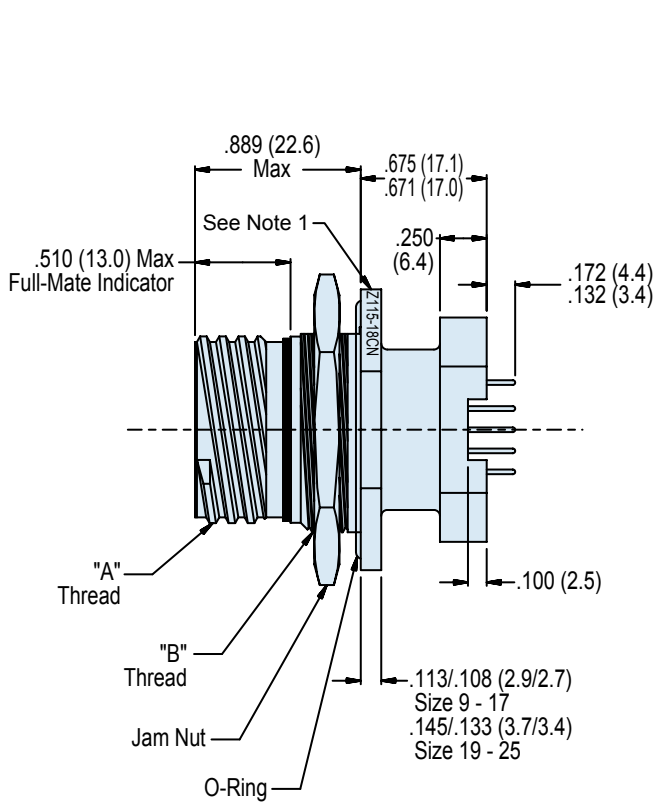
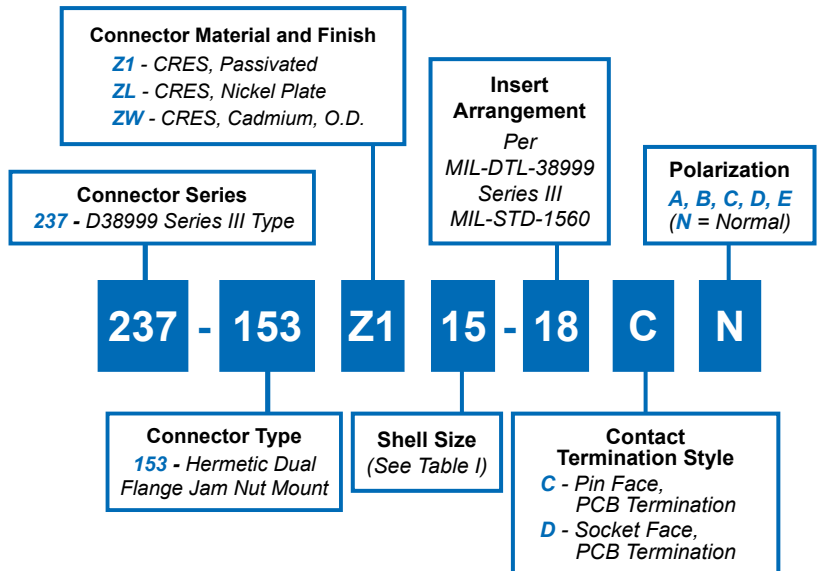




# 237-153 Hermetic Dual Flange Jam Nut Mount Receptacle for MIL-DTL-38999 Series III Type

B



Dimensions in Inches (millimeters) are subject to change without notice.

# 237-153 Hermetic Dual Flange Jam Nut Mount Receptacle for MIL-DTL-38999 Series III Type



**TABLE I: Shell Size, Thread  
and Connector Dimensions (Continued Below)**

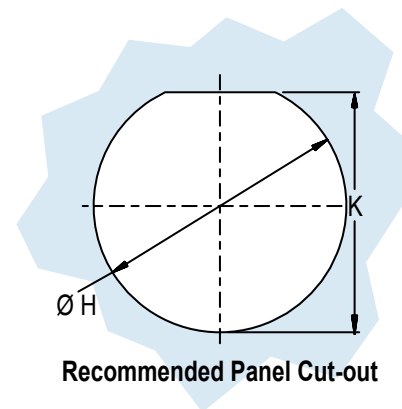
Shell Size	A Thread -0.1P-0.03L-TS (Plated)	B Thread Metric (Plated)	C ± .015 (0.38)	D ± .005 (0.13)	Ø E ± .012 (0.30)	F ± .016 (0.41)
9	.6250	M17 x 1-6g-0.10R	.875 (22.2)	.651 (16.5)	1.250 (31.8)	1.063 (27.0)
11	.7500	M20 x 1-6g-0.10R	1.000 (25.4)	.751 (19.1)	1.377 (35.0)	1.259 (32.0)
13	.8750	M25 x 1-6g-0.10R	1.187 (30.1)	.937 (23.8)	1.500 (38.1)	1.374 (34.9)
15	1.0000	M28 x 1-6g-0.10R	1.375 (34.9)	1.063 (27.0)	1.625 (41.3)	1.500 (38.1)
17	1.1875	M32 x 1-6g-0.10R	1.437 (36.5)	1.187 (30.2)	1.750 (44.5)	1.625 (41.3)
19	1.2500	M35 x 1-6g-0.10R	1.562 (39.7)	1.311 (33.3)	1.937 (49.2)	1.822 (46.3)
21	1.3750	M38 x 1-6g-0.10R	1.750 (44.5)	1.434 (36.4)	2.063 (52.4)	1.940 (49.3)
23	1.5000	M41 x 1-6g-0.10R	1.875 (47.6)	1.561 (39.7)	2.190 (55.6)	2.073 (52.7)
25	1.6250	M44 x 1-6g-0.10R	2.000 (50.8)	1.687 (42.9)	2.311 (58.7)	2.189 (55.6)

**TABLE III:  
Contact Size  
and Diameter**

Contact Size	Ø P
22	.022/.018 (0.56/0.46)
20	.027/.023 (0.69/0.58)
16	.042/.038 (1.07/0.97)
12	.052/.048 (1.32/1.22)

**TABLE I: Shell Size, Thread  
and Connector Dimensions (Continued from Above)**

Shell Size	H ± .020 (0.51)	Ø J ± .005 (0.13)	Ø K Basic	L ± .005 (0.13)	N ± .020 (0.51)	P ± .010 (0.25)
9	.225 (5.7)	1.016 (25.8)	.752 (19.1)	.532 (13.5)	.275 (7.0)	.225 (5.7)
11	.250 (6.4)	1.062 (27.0)	.850 (21.6)	.595 (15.1)	.290 (7.4)	.250 (6.4)
13	.375 (9.5)	1.250 (31.8)	.994 (25.2)	.720 (18.3)	.370 (9.4)	.250 (6.4)
15	.438 (11.1)	1.375 (34.9)	1.119 (28.4)	.843 (21.4)	.440 (11.2)	.325 (8.2)
17	.562 (14.3)	1.500 (38.1)	1.237 (31.4)	1.000 (25.4)	.495 (12.6)	.375 (9.5)
19	.875 (22.2)	1.625 (41.3)	1.379 (35.0)	1.125 (28.6)	.540 (13.7)	.500 (12.7)
21	1.170 (29.7)	1.750 (44.5)	1.489 (37.8)	1.240 (31.5)	.625 (15.9)	.562 (14.3)
23	1.250 (31.8)	1.875 (47.6)	1.619 (41.1)	1.328 (33.7)	.660 (16.8)	.688 (17.5)
25	1.375 (34.9)	2.000 (50.8)	1.744 (44.3)	1.453 (36.9)	.740 (18.8)	.750 (19.1)



## APPLICATION NOTES

- |   |  |
|---|--|
| <ol style="list-style-type: none"> <li>Assembly identified with manufacturer's name and P/N, space permitting.</li> <li>Performance test criteria:<br/>Hermeticity – &lt;math&gt;1 \times 10^{-7}&lt;/math&gt; ccHe/sec @1 ATM differential.<br/>D.W.V. – per DTL-38999 pin-to-pin and pin-to-shell w/o breakdown<br/>I.R. – 5000 MegOhms min @ 500 VDC.</li> <li>Glenair 237-153 receptacle connector is designed to mate with and QPL manufacturer's MIL-DTL-38999 Series III plug connector having the same shell size, insert arrangement, polarization and opposite contact gender.</li> <li>Metric dimensions (mm) are indicated in parentheses.</li> </ol> | <ol style="list-style-type: none"> <li>Material/finish:<br/>Shell, jam nut – CRES/per part number development.<br/>Pin Contacts – Nickel iron alloy 52/gold plated.<br/>Socket Contacts – Copper alloy/52 gold plated.<br/>Socket Hoods – CRES/Passivate.<br/>Insulator, Pins – full glass/N.A.<br/>Insulator, Sockets – Rigid dielectric/N.A.<br/>Seals – Fluorosilicone/N.A.<br/>O-Ring – Cho-Seal 1298/ N.A.</li> </ol> |
|---|--|

Dimensions in Inches (millimeters) are subject to change without notice.