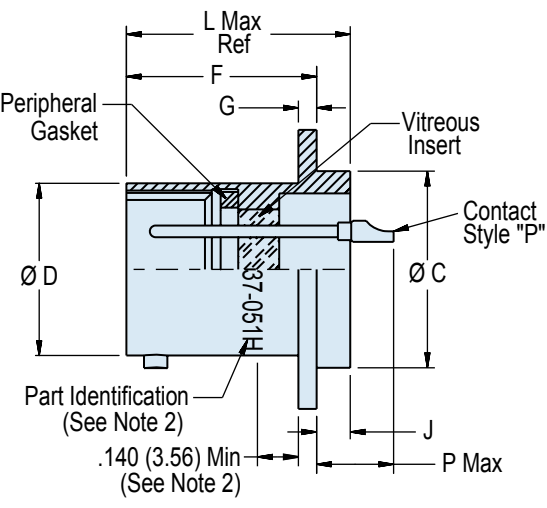
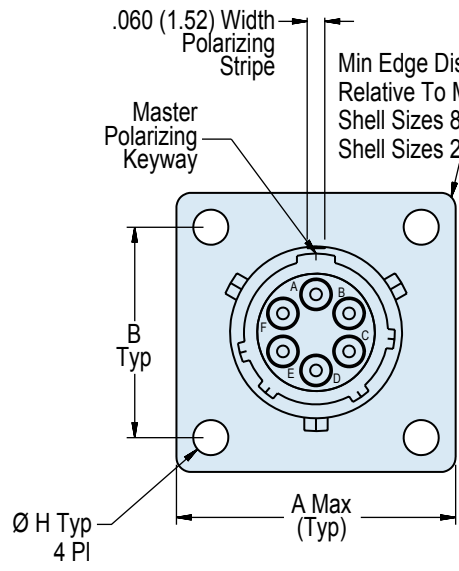
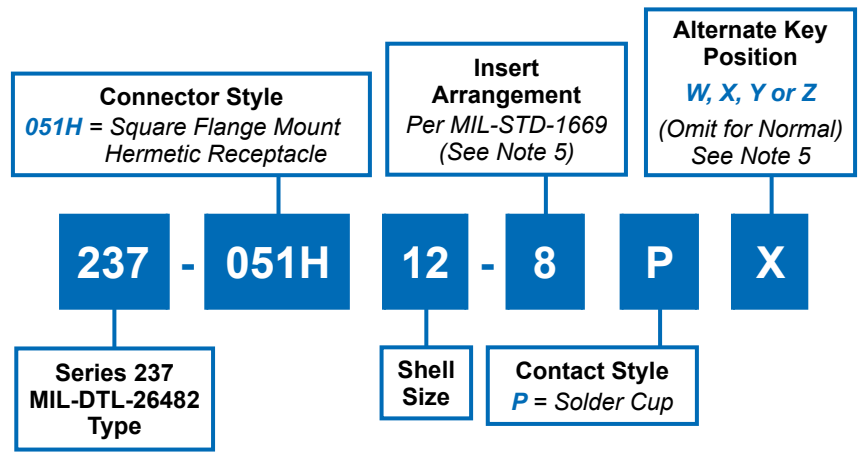




237-051
MIL-DTL-26482 Series II, MS3440 Type Hermetic
Special Narrow Square Flange Mount Receptacle
with Bayonet Coupling and Solder Cup Termination

D



APPLICATION NOTES

- Material/Finish:
 Shell - C1215 CRS/Tin plated.
 Titanium and Inconel® available. Consult factory.
 Contacts - 52 nickel alloy/Tin plated.
 Bayonets - Stainless Steel/passivated.
 Seals - Silicone elastomer/N.A.
 Insulator - Glass, NOIBN/N.A.
- To be identified with manufacturer's name, part number and date code, space permitting.
- Hermeticity - $<1 \times 10^{-7}$ cc/sec @ 1 atm differential.
 Dielectric withstanding voltage - Consult factory or MIL-STD-1669.
 Insulation resistance - 5000 megohms min @500VDC.
- Glenair 237-051 will mate with any QPL MIL-DTL-26482 Series II bayonet coupling plug of same size and insert polarization.
- Consult factory and/or MIL-STD-1669 for arrangement and insert position options.
- Metric Dimensions (mm) are indicated in parentheses.

237-051

MIL-DTL-26482 Series II, MS3440 Type Hermetic
Special Narrow Square Flange Mount Receptacle
with Bayonet Coupling and Solder Cup Termination



MIL-DTL-26482
Type

D

TABLE I: CONNECTOR AND CUT-OUT DIMENSIONS
(Continued Below)

Shell Size	A	B	C Dia Mounting Locator	D Dia	F	G
8	.828 (21.03)	.594 (15.09)	.563/.557 (14.30/14.15)	.474/.468 (12.04/11.89)	.519/.479 (13.18/12.17)	.073/.052 (1.85/1.32)
10	.954 (24.23)	.719 (18.26)	.673/.667 (17.09/16.94)	.591/.585 (15.01/14.86)		
12	1.047 (26.59)	.812 (20.62)	.782/.776 (19.86/19.71)	.751/.745 (19.08/18.92)		
14	1.141 (28.98)	.906 (23.01)	.907/.901 (23.03/22.89)	.876/.870 (22.25/22.10)		
16	1.234 (31.34)	.969 (24.61)	1.032/1.026 (26.21/26.06)	1.001/.995 (25.43/25.27)		
18	1.328 (33.73)	1.062 (26.97)	1.157/1.151 (29.39/29.24)	1.126/1.120 (28.60/28.45)		
20	1.453 (36.91)	1.156 (29.36)	1.251/1.245 (31.78/31.62)	1.251/1.245 (31.78/31.62)	.581/.541 (14.76/13.74)	
22	1.578 (40.08)	1.250 (31.75)	1.376/1.371 (34.95/34.82)	1.376/1.371 (34.95/34.82)		
24	1.703 (43.26)	1.375 (34.93)	1.501/1.495 (38.13/37.97)	1.501/1.495 (38.13/37.97)		

TABLE I: CONNECTOR AND CUT-OUT DIMENSIONS
(Continued from Above)

Shell Size	H	J	L	P Max	Panel Cut-Out Dia	Max Weight Lbs. (Kg)
8	.120 (3.05)	.125/.105 (3.18/2.67)	.801 (20.35)	.344 (8.74)	.570 (14.48)	.038 (.017)
10					.680 (17.27)	.044 (.020)
12					.789 (20.04)	.052 (.024)
14					.914 (23.22)	.070 (.032)
16					1.039 (26.39)	.085 (.039)
18					1.164 (29.57)	.098 (.045)
20	.147 (3.73)	.093/.073 (2.36/1.85)	.863 (21.92)	.377 (9.58)	1.258 (31.95)	.110 (.050)
22		.125/.105 (3.18/2.67)	.895 (22.73)		1.383 (35.13)	.150 (.068)
24					1.508 (38.30)	.280 (.127)

HERMETIC LEAK RATE MOD CODES	
Designator	Required Leak Rate
-585A	1 x 10 ⁻¹⁰ cc Helium per second
-585B	1 x 10 ⁻⁹ cc Helium per second
-585C	1 x 10 ⁻⁸ cc Helium per second