

Ultra High Dynamic Range

Monolithic Amplifier

PHA-1H+

50Ω 0.05 to 6 GHz



SOT-89 PACKAGE

The Big Deal

- Ultra High IP3
- Broadband High Dynamic Range without external Matching Components
- Operates to 105°C
- May be used as a replacement to WJ AH1^{a,b}

Product Overview

PHA-1H+ (RoHS compliant) is an advanced wideband amplifier fabricated using E-PHEMT technology and offers extremely high dynamic range over a broad frequency range and with low noise figure. In addition, the PHA-1H+, unlike competitive models, has good input and output return loss over a broad frequency range without the need for external matching components and has demonstrated excellent reliability. Lead finish is SnAgNi. It has repeatable performance from lot to lot and is enclosed in a SOT-89 package for very good thermal performance.

Key Features

Feature	Advantages
Broad Band: 0.05 to 6.0 GHz	Broadband covering primary wireless communications bands: Cellular, PCS, LTE, WiMAX
Extremely High IP3 Versus DC power Consumption 40.4 dBm typical at 2.4 GHz	The PHA-1H+ matches industry leading IP3 performance relative to device size and power consumption. The combination of the design and E-PHEMT Structure provides enhanced linearity over a broad frequency range as evidence in the IP3 being typically 20 dB above the P 1dB point. This feature makes this amplifier ideal for use in: <ul style="list-style-type: none">• Driver amplifiers for complex waveform up converter paths• Drivers in linearized transmit systems• Secondary amplifiers in ultra High Dynamic range receivers
No External Matching Components Required	Unlike competing products, Mini-Circuits PHA-1H+ provides Input and Output Return Loss of 10-23 dB up to 4 GHz without the need for any external matching components
Low Noise Figure: 2.6dB typ. up to 4 GHz 3.4dB typ. up to 6 GHz	A unique feature of the PHA-1H+ which separates this design from all competitors is the low noise figure performance in combination with the high dynamic range.
Low Junction Temperature T _j =115°C at 85°C lead temperature and 135°C at 105°C lead temperature	Results in excellent reliability.

Notes:

a. Suitability for model replacement within a particular system must be determined by and is solely the responsibility of the customer based on, among other things, electrical performance criteria, stimulus conditions, application, compatibility with other components and environmental conditions and stresses.

b. The WJ AH1 part number is used for identification and comparison purposes only.



Ultra High Dynamic Range

Monolithic Amplifier

0.05-6 GHz

Product Features

- High IP3, 40.4 dBm typ. at 2.4 GHz
- Gain, 13.8 dB typ. at 2 GHz
- High Pout, P1dB 22 dBm typ. at 2 GHz
- Low noise figure, 2.2 dB @2 GHz
- No external matching components required
- May be used as replacement for WJ AH1^{a,b}



PHA-1H+

CASE STYLE: DF782

Typical Applications

- Base station infrastructure
- Portable Wireless
- CATV & DBS
- MMDS & Wireless LAN
- LTE

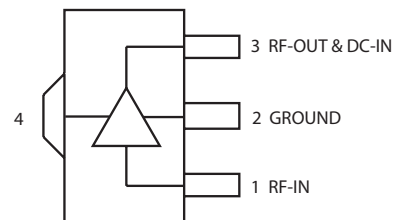
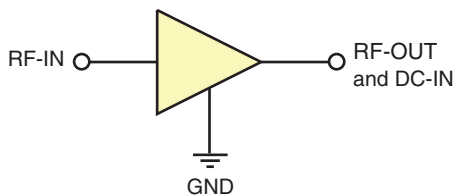
+RoHS Compliant

The +Suffix identifies RoHS Compliance. See our web site for RoHS Compliance methodologies and qualifications

General Description

PHA-1H+ (RoHS compliant) is an advanced wideband amplifier fabricated using E-PHEMT technology and offers extremely high dynamic range over a broad frequency range and with low noise figure. In addition, the PHA-1H+ has good input and output return loss over a broad frequency range without the need for external matching components. Lead finish is SnAgNi. It has repeatable performance from lot to lot and is enclosed in a SOT-89 package for very good thermal performance.

simplified schematic and pin description



Function	Pin Number	Description
RF IN	1	RF input pin. This pin requires the use of an external DC blocking capacitor chosen for the frequency of operation.
RF-OUT and DC-IN	3	RF output and bias pin. DC voltage is present on this pin; therefore a DC blocking capacitor is necessary for proper operation. An RF choke is needed to feed DC bias without loss of RF signal due to the bias connection, as shown in "Recommended Application Circuit", Fig. 2
GND	2,4	Connections to ground. Use via holes as shown in "Suggested Layout for PCB Design" to reduce ground path inductance for best performance.

Notes:

- Suitability for model replacement within a particular system must be determined by and is solely the responsibility of the customer based on, among other things, electrical performance criteria, stimulus conditions, application, compatibility with other components and environmental conditions and stresses.
- The WJ AH1 part number is used for identification and comparison purposes only.



Electrical Specifications at 25°C, unless noted

Parameter	Condition (GHz)	Vd=5.0V ¹			Units
		Min.	Typ.	Max.	
Frequency range		0.05		6.0	GHz
Gain	0.05	15.9	17.7	19.5	dB
	0.8	14.3	15.9	17.5	
	2.0	—	13.8	—	
	3.0	—	12.1	—	
	4.0	9.8	10.9	12.0	
	6.0	—	9.6	—	
Input return loss	0.05	—	11.9	—	dB
	0.8	13.0	18.2	—	
	2.0	—	12.5	—	
	3.0	—	10.8	—	
	4.0	—	10.3	—	
	6.0	—	8.1	—	
Output return loss	0.05	—	14.2	—	dB
	0.8	13.0	22.9	—	
	2.0	—	19.7	—	
	3.0	—	17.1	—	
	4.0	—	15.5	—	
	6.0	—	13.7	—	
Reverse isolation	2.0		19.6		dB
Output power @ 1 dB compression	0.05	20.0	22.1	—	dBm
	0.8	20.0	21.8	—	
	2.0	20.0	22.6	—	
	3.0	—	22.2	—	
	4.0	—	22.5	—	
	6.0	—	22.0	—	
Output IP3	0.05	—	39.6	—	dBm
	0.8	38.0	40.6	—	
	2.0	—	40.4	—	
	3.0	—	40.8	—	
	4.0	—	41.4	—	
	6.0	—	41.0	—	
Noise figure	0.5		1.7		dB
	1.0		1.8		
	2.0		2.2		
	3.0		2.4		
	4.0		2.6		
	6.0		3.4		
Device operating voltage		4.8	5.0	5.2	V
Device operating current		—	132	165	mA
Device current variation vs. temperature ²			101		μA/°C
Device current variation vs voltage			0.057		mA/mV
Thermal resistance, junction-to-ground lead at 88°C			36.1		°C/W

1. Measured on Mini-Circuits characterization test board TB-313. See characterization test circuit (Fig. 1)

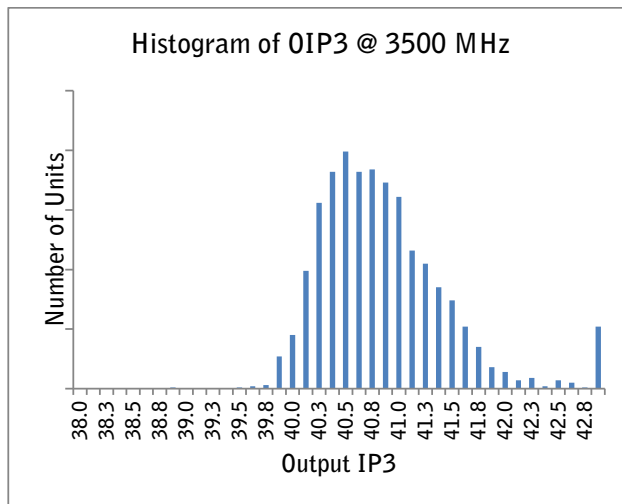
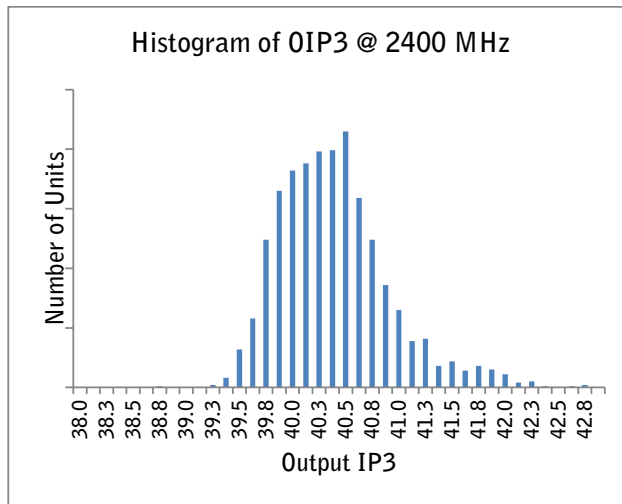
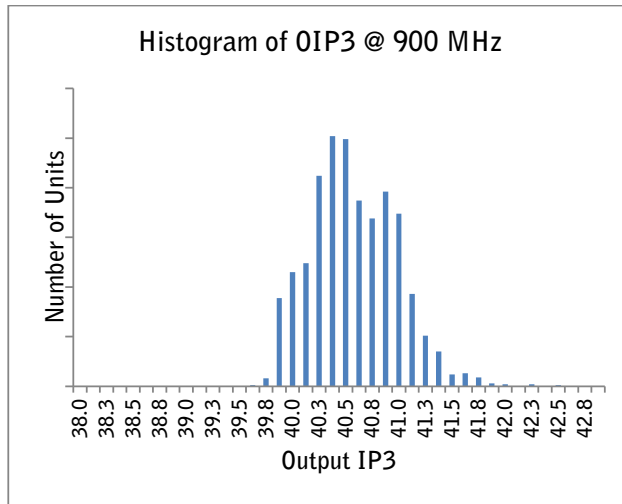
2. (Current at 85°C — Current at -45°C)/130

Absolute Maximum Ratings³

Parameter	Ratings
Operating temperature (ground lead)	-40°C to 105°C
Storage temperature	-65°C to 150°C
Operating current at 5V	210 mA
Power dissipation	1 W
Input power (CW)	24 dBm
DC voltage on Pin 3	6 V

3. Permanent damage may occur if any of these limits are exceeded.

Electrical maximum ratings are not intended for continuous normal operation.



Characterization Test Circuit

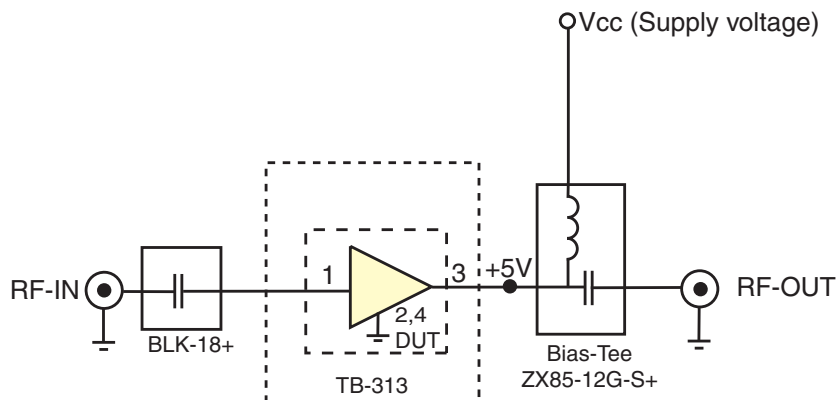


Fig 1. Block Diagram of Test Circuit used for characterization. (DUT soldered on Mini-Circuits Characterization test board TB-313
Gain, Return loss, Output power at 1dB compression (P1 dB) , output IP3 (OIP3) and noise figure measured using Agilent's N5242A PNA-X microwave network analyzer.

Conditions:

1. Gain and Return loss: Pin= -25dBm
2. Output IP3 (OIP3): Two tones, spaced 1 MHz apart, 5 dBm/tone at output.

Recommended Application Circuit

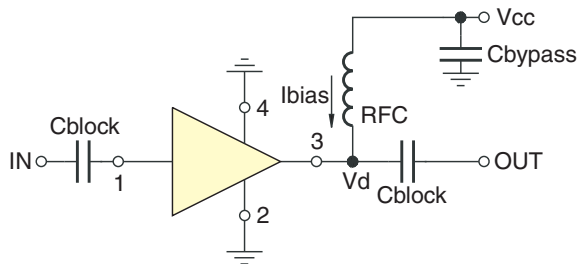
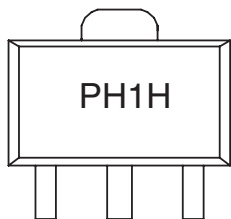


Fig 2. Test Board includes case, connectors, and components soldered to PCB

Product Marking



Additional Detailed Technical Information <i>additional information is available on our dash board. To access this information click here</i>	
Performance Data	Data Table
	Swept Graphs
	S-Parameter (S2P Files) Data Set (.zip file)
Case Style	DF782 (SOT 89) <i>Plastic package, exposed paddle lead finish: tin/silver/nickel</i>
Tape & Reel Standard quantities available on reel	F55 <i>7" reels with 20, 50, 100, 200, 500 or 1K devices</i>
Suggested Layout for PCB Design	PL-313
Evaluation Board	TB-545-1H+
Environmental Ratings	ENV08T8

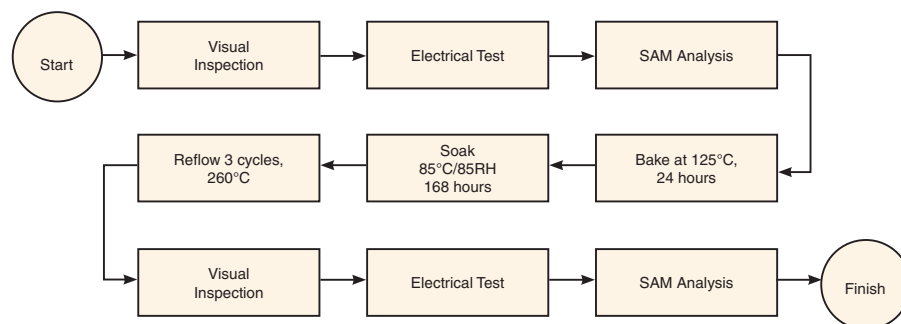
ESD Rating

Human Body Model (HBM): Class 1B (500 to <1000V) in accordance with ANSI/ESD STM 5.1 - 2001
Machine Model (MM): Class M1 (pass 25V) in accordance with ANSI/ESD STM5.2-1999

MSL Rating

Moisture Sensitivity: MSL1 in accordance with IPC/JEDEC J-STD-020D

MSL Test Flow Chart



Additional Notes

- A. Performance and quality attributes and conditions not expressly stated in this specification document are intended to be excluded and do not form a part of this specification document.
- B. Electrical specifications and performance data contained in this specification document are based on Mini-Circuit's applicable established test performance criteria and measurement instructions.
- C. The parts covered by this specification document are subject to Mini-Circuits standard limited warranty and terms and conditions (collectively, "Standard Terms"); Purchasers of this part are entitled to the rights and benefits contained therein. For a full statement of the Standard Terms and the exclusive rights and remedies thereunder, please visit Mini-Circuits' website at www.minicircuits.com/MCLStore/terms.jsp