



Frequency Generator and Integrated Buffers

General Description

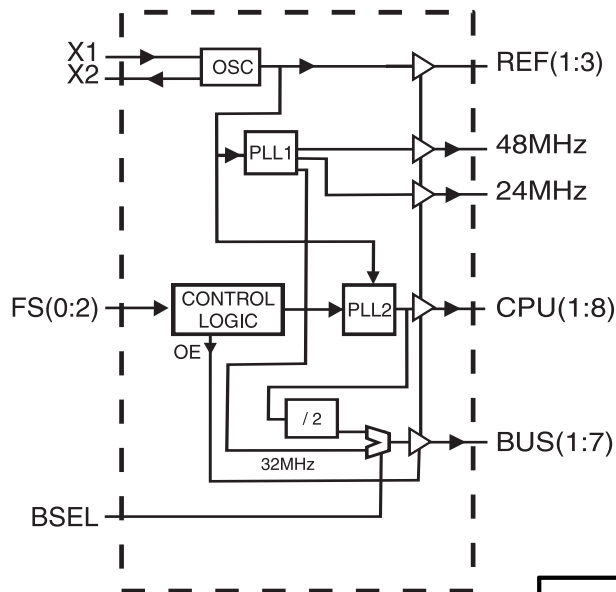
The ICS9169C-26 is a low-cost frequency generator designed specifically for Pentium™-based chip set systems. The integrated buffer minimizes skew and provides all the clocks required. A 14.318 MHz XTAL oscillator provides the reference clock to generate standard Pentium frequencies. The CPU clock makes gradual frequency transitions without violating the PLL timing of internal microprocessor clock multipliers.

Either synchronous (CPU/2) or asynchronous (32 MHz) PCI bus operation can be selected.

Features

- Twelve selectable CPU clocks operate up to 83.3 MHz
- Eight selectable CPU clocks operate up to 100 MHz
- Maximum CPU jitter of ±200ps
- Seven BUS clocks support sync or async bus operation
- 500ps skew window for all synchronous clock edges
- CPU clocks to BUS clocks in sync mode skew 1-4ns (CPU early)
- Integrated buffer outputs drive up to 30pF loads
- 3.0V - 3.7V supply range
- 36-pin SSOP package
- 48 MHz clock for USB support and 24 MHz clock for FD

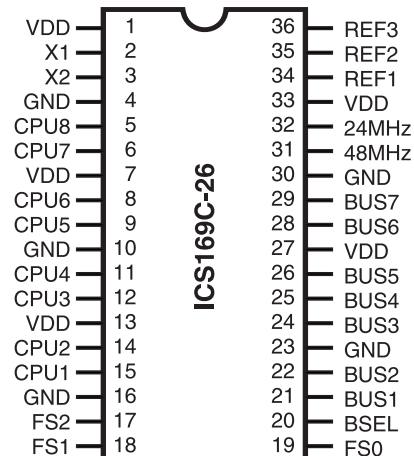
Block Diagram



Functionality

3.3V±10%, 0-70°C
Crystal (X1, X2) = 14.31818 MHz

Pin Configuration



36-Pin SSOP

BSEL	FS2	FS1	FS0	CPU (1:8) MHz	BUS (0:7) MHz	48 MHz	24 MHz	REF (1:3)
0	0	0	0	55	27.5	48	24	14.318
0	0	0	1	80	40	48	24	14.318
0	0	1	0	100	50	48	24	14.318
0	0	1	1	75	37.5	48	24	14.318
0	1	0	0	50	25	48	24	14.318
0	1	0	1	66.6	33.3	48	24	14.318
0	1	1	0	60	30.0	48	24	14.318
0	1	1	1	Tristate	Tristate	Tristate	Tristate	Tristate
1	select	select	select	Tristate	32.0	48	24	14.318

Pentium is a trademark on Intel Corporation.



Pin Descriptions

PIN NUMBER	PIN NAME	TYPE	DESCRIPTION
1, 7, 13, 27, 33	VDD	PWR	Power for control logic, PLL and output buffers.
2	X1	IN	XTAL or external reference frequency input. This input includes XTAL load capacitance and feedback bias for a 12 - 16 MHz crystal, nominally 14.31818 Mhz.
3	X2	OUT	XTAL output which includes XTAL load capacitance.
4, 10, 16, 23, 30	GND	PWR	Ground for logic, PLL and output buffers.
5, 6, 8, 9, 11, 12, 14, 15	CPU(1:8)	OUT	Processor clock outputs which are a multiple of the input reference frequency as shown in the table above.
17, 18, 19	FS(1:2)	IN	Frequency multiplier select pins. See table above. These inputs have internal pull-up devices.
20	BSEL	IN	Selector for synchronous or asynchronous bus operation.
21, 22, 24, 25, 26, 28, 29	BUS(1:7)	OUT	Bus clock outputs.
31	48MHz	OUT	Fixed 48 MHz clock (with 14.318 MHz input).
32	24MHz	OUT	Fixed 24 MHz clock (with 14.318 MHz input).
34, 35, 36	REF(1:3)	OUT	REF is a buffered copy of the crystal oscillator or reference input clock, nominally 14.31818 Mhz.



Absolute Maximum Ratings

- Supply Voltage 7.0V
- Logic Inputs GND-0.5V to V_{DD}+0.5V
- Ambient Operating Temperature 0°C to +70°C
- Storage Temperature -65°C to +150°C

Stresses above those listed under *Absolute Maximum Ratings* may cause permanent damage to the device. These ratings are stress specifications only and functional operation of the device at these or any other conditions above those listed in the operational sections of the specifications is not implied. Exposure to absolute maximum rating conditions for extended periods may affect product reliability.

Electrical Characteristics at 3.3V

V_{DD} = 3.0 – 3.7V, T_A = 0 – 70°C unless otherwise stated

DC Characteristics						
PARAMETER	SYMBOL	TEST CONDITIONS	MIN	TYP	MAX	UNITS
Input Low Voltage	V _{IL}		-	-	0.2V _{DD}	V
Input High Voltage	V _{IH}		0.7V _{DD}	-	-	V
Input Low Current	I _{IL}	V _{IN} =0V	-28.0	-10.5	-	μA
Input High Current	I _{IH}	V _{IN} =V _{DD}	-5.0	-	5.0	μA
Output Low Current1	I _{oL}	V _{oL} =0.8V; for CPUs & BUSes	30.0	47.0	-	mA
Output High Current1	I _{oH}	V _{oL} =2.0V; for CPUs & BUSes	-	-66.0	-42.0	mA
Output Low Current1	I _{oL}	V _{oL} =0.8V; for fixed CLKs	25.0	38.0	-	mA
Output High Current1	I _{oH}	V _{oL} =2.0V; for fixed CLKs	-	-47.0	-30.0	mA
Output Low Voltage1	V _{oL}	I _{oL} =15mA; for CPUs & BUSes	-	0.3	0.4	V
Output High Voltage1	V _{oH}	I _{oH} =-30mA; for CPUs & BUSes	2.4	2.8	-	V
Output Low Voltage1	V _{oL}	I _{oL} =12.5mA; for fixed CLKs	-	0.3	0.4	V
Output High Voltage1	V _{oH}	I _{oH} =-20mA; for fixed CLKs	2.4	2.8	-	V
Supply Current	I _{DD}	@ 66.6 MHz; all outputs unloaded	-	55	110	mA

Note 1: Parameter is guaranteed by design and characterization. Not 100% tested in production.



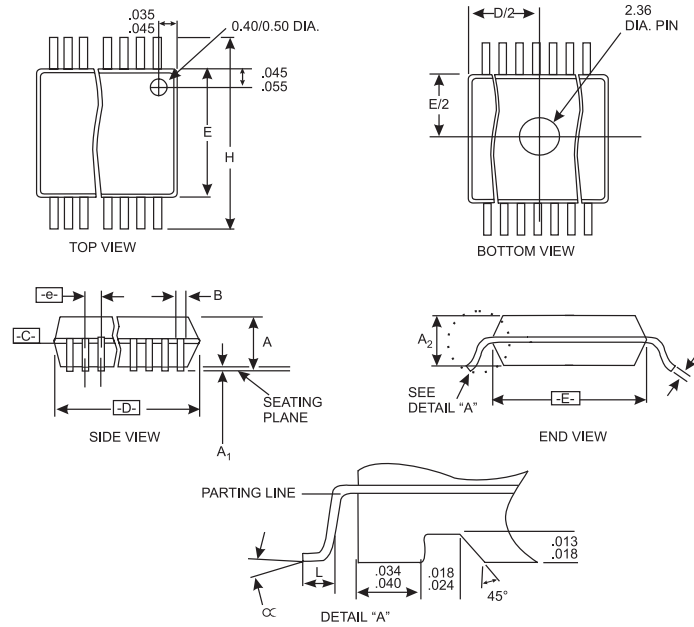
Preliminary Product Preview

Electrical Characteristics at 3.3V

 $V_{DD} = 3.0 - 3.7V$, $T_A = 0 - 70^\circ C$ unless otherwise stated

AC Characteristics						
PARAMETER	SYMBOL	TEST CONDITIONS	MIN	TYP	MAX	UNITS
Rise Time ¹	T_{r1}	20pF load, 0.8 to 2.0V CPU & BUS	-	0.9	1.5	ns
Fall Time ¹	T_{f1}	20pF load, 2.0 to 0.8V CPU & BUS	-	0.8	1.4	ns
Rise Time ¹	T_{r2}	20pF load, 20% to 80% CPU & BUS	-	1.5	2.5	ns
Fall Time ¹	T_{f2}	20pF load, 80% to 20% CPU & BUS	-	1.4	2.4	ns
Duty Cycle ¹	D_t	20pF load @ $V_{OUT}=1.4V$	45	50	55	%
Jitter, One Sigma ¹	T_{j1s1}	CPU & BUS Clocks; Load=20pF, >25 MHz	-	50	150	ps
Jitter, Absolute ¹	T_{jab1}	PCLK & BCLK Clocks; Load=20pF, FOUT>25 MHz	-200	-	200	ps
Jitter, One Sigma ¹	T_{j1s2}	Fixed CLK; Load=20pF	-	1	3	%
Jitter, Absolute ¹	T_{jab2}	Fixed CLK; Load=20pF	-5	2	5	%
Input Frequency ¹	F_i		12.0	14.318	16.0	MHz
Logic Input Capacitance ¹	C_{IN}	Logic input pins	-	5	-	pF
Crystal Oscillator Capacitance ¹	C_{INX}	X1, X2 pins	-	18	-	pF
Power-on Time ¹	t_{on}	From $V_{DD}=1.6V$ to 1st crossing of 66.6 MHz V_{DD} supply ramp < 40ms	-	2.5	4.5	ms
Frequency Settling Time ¹	t_s	From 1st crossing of acquisition to < 1% settling	-	2.0	4.0	ms
Clock Skew ¹	T_{sk1}	CPU to CPU; Load=20pF; @1.4V	-	150	250	ps
Clock Skew ¹	T_{sk2}	BUS to BUS; Load=20pF; @1.4V	-	300	500	ps
Clock Skew ¹	T_{sk3}	CPU & BUS; Load=20pF; @1.4V	1	2.6	4	ns

Note 1: Parameter is guaranteed by design and characterization. Not 100% tested in production.



SSOP Package

SYMBOL	COMMON DIMENSIONS			VARIATIONS	D			N
	MIN.	NOM.	MAX.		MIN.	NOM.	MAX.	
A	.097	.101	.110	AA	.602	.607	.612	36
A1	.008	.010	.0116	AB	.701	.706	.711	44
A2	.090	.092	.094	AC	.620	.625	.630	48
B	.0091	.014	.017	AD	.720	.725	.730	56
C	.0091	.010	.0125					
D	See Variations							
E	.292	.296	.299					
e	.0315 BSC							
H	.400	.406	.410					
h	.010	.013	.016					
L	.024	.032	.040					
N	See Variations							
∞	0°	5°	8°					
X	.085	.093	.100					

This table in inches

Ordering Information

ICS9169CF-26

Example:

ICS XXXX F - PPP

